

IT8786E-I

**Environment Control – Low Pin Count Input / Output
(EC - LPC I/O)**

Preliminary Specification V0.2

(For B Version)

ITE TECH. INC.

CONFIDENTIAL

Copyright © 2012 ITE Tech. Inc.

This is a Preliminary document release. All specifications are subject to change without notice. The material contained in this document supersedes all previous material issued for the products herein referenced. Please contact ITE Tech. Inc. for the latest document(s).

All sales are subject to ITE's Standard Terms and Conditions, a copy of which is included in the back of this document.

ITE, IT8786E-I is a trademark of ITE Tech. Inc.
All other trademarks are claimed by their respective owners.
All specifications are subject to change without notice.

Additional copies of this manual or other ITE literature may be obtained from:

ITE Tech. Inc.
Marketing Department
7F, No.233-1, Baociao Rd., Sindian City,
Taipei County 23145, Taiwan, ROC

Phone: (02) 29126889
Fax: (02) 2910-2551, 2910-2552

If you have any marketing or sales questions, please contact:
P.Y. Chang, at ITE Taiwan:
E-mail: p.y.chang@ite.com.tw, Tel: 886-2-29126889 X6052, Fax: 886-2-29102551

You may also find the local sales representative nearest you on the ITE web site.

To find out more about ITE, visit our World Wide Web at:
<http://www.ite.com.tw>

Or e-mail itesupport@ite.com.tw for more product information/services

CONFIDENTIAL

Revision History

| Section | Revision | Page No. |
|---------|---|----------|
| - | <ul style="list-style-type: none">• Part no. changed from IT8786E into IT8786E-I• Errata:<ul style="list-style-type: none">■ DTR2 corrected to DTR2#■ RTS1#/JP2 corrected to RTS1#/JP2• Chip version updated to BX | - |

CONFIDENTIAL

CONFIDENTIAL

CONTENTS

| | |
|---|----|
| 1. Features | 1 |
| 2. General Description | 3 |
| 3. Block Diagram | 5 |
| 4. Pin Configuration | 7 |
| 5. Pin Description | 9 |
| 6. List of GPIO Pins | 27 |
| 7. Power On Strapping Options and Special Pin Routings | 35 |
| 8. Configuration | 37 |
| 8.1 Configuring Sequence | 37 |
| 8.2 Configuration Registers | 39 |
| 8.2.1 Logical Device Base Address | 44 |
| 8.3 Global Configuration Registers (LDN: All) | 45 |
| 8.3.1 Configure Control (Index=02h) | 45 |
| 8.3.2 Logical Device Number (LDN, Index=07h) | 45 |
| 8.3.3 Chip ID Byte 1 (Index=20h, Default=87h) | 45 |
| 8.3.4 Chip ID Byte 2 (Index=21h, Default=86h) | 45 |
| 8.3.5 Chip Version (Index=22h, Default=01h) | 45 |
| 8.3.6 Clock Selection Register (Index=23h, Default=00h) | 45 |
| 8.3.7 Special Register (Index=24h, Default=00h) | 46 |
| 8.3.8 GPIO Set 1 Multi-Function Pin Selection Register (Index=25h, Default=00h) | 46 |
| 8.3.9 GPIO Set 2 Multi-Function Pin Selection Register (Index=26h, Default=F3h) | 47 |
| 8.3.10 GPIO Set 3 Multi-Function Pin Selection Register (Index=27h, Default=00h) | 47 |
| 8.3.11 GPIO Set 4 Multi-Function Pin Selection Register (Index=28h, Default=00h) | 48 |
| 8.3.12 GPIO Set 5 Multi-Function Pin Selection Register (Index=29h, Default=00h) | 49 |
| 8.3.13 Special Function Selection Register 1 (Index=2Ah, Default=00h) | 49 |
| 8.3.14 Special Function Selection Register 2 (Index=2Bh, Default=0100s000b) | 50 |
| 8.3.15 Special Function Selection Register 3 (Index=2Ch, Default=89h) | 50 |
| 8.3.16 Test 1 Register (Index=2Eh, Default=00h) | 50 |
| 8.3.17 Test 2 Register (Index=2Fh, Default=00h) | 50 |
| 8.4 Serial Port 1 Configuration Registers (LDN=01h) | 51 |
| 8.4.1 Serial Port 1 Activate (Index=30h, Default=00h) | 51 |
| 8.4.2 Serial Port 1 Base Address MSB Register (Index=60h, Default=03h) | 51 |
| 8.4.3 Serial Port 1 Base Address LSB Register (Index=61h, Default=F8h) | 51 |
| 8.4.4 Serial Port 1 Interrupt Level Select (Index=70h, Default=04h) | 51 |
| 8.4.5 Serial Port 1 Special Configuration Register 1 (Index=F0h, Default=00h) | 52 |
| 8.4.6 Serial Port 1 Interrupt Type Register (Index=F1h, Default=50h) | 52 |
| 8.4.7 Serial Port 1 9-Bit Multi-Drops Slave Address Register (Index=F2h, Default=00h) | 52 |
| 8.5 Serial Port 2 Configuration Registers (LDN=02h) | 53 |
| 8.5.1 Serial Port 2 Activate (Index=30h, Default=00h) | 53 |
| 8.5.2 Serial Port 2 Base Address MSB Register (Index=60h, Default=02h) | 53 |
| 8.5.3 Serial Port 2 Base Address LSB Register (Index=61h, Default=F8h) | 53 |
| 8.5.4 Serial Port 2 Interrupt Level Select (Index=70h, Default=03h) | 53 |
| 8.5.5 Serial Port 2 Special Configuration Register 1 (Index=F0h, Default=00h) | 53 |
| 8.5.6 Serial Port 2 Interrupt Type Register (Index=F1h, Default=50h) | 54 |
| 8.5.7 Serial Port 2 9-Bit Multi-Drops Slave Address Register (Index=F2h, Default=00h) | 54 |
| 8.6 Parallel Port Configuration Registers (LDN=03h) | 55 |
| 8.6.1 Parallel Port Activate (Index=30h, Default=00h) | 55 |
| 8.6.2 Parallel Port Primary Base Address MSB Register (Index=60h, Default=03h) | 55 |
| 8.6.3 Parallel Port Primary Base Address LSB Register (Index=61h, Default=78h) | 55 |
| 8.6.4 Parallel Port Secondary Base Address MSB Register (Index=62h, Default=07h) | 55 |

| | | |
|---------|---|----|
| 8.6.5 | Parallel Port Secondary Base Address LSB Register (Index=63h, Default=78h) | 55 |
| 8.6.6 | Parallel Port Interrupt Level Select (Index =70h, Default=07h) | 55 |
| 8.6.7 | Parallel Port DMA Channel Select (Index=74h, Default=03h) | 55 |
| 8.6.8 | Parallel Port Special Configuration Register (Index=F0h, Default=0Bh) | 56 |
| 8.7 | Environment Controller Configuration Registers (LDN=04h) | 57 |
| 8.7.1 | Environment Controller Activate (Index=30h, Default=00h) | 57 |
| 8.7.2 | Environment Controller Base Address MSB Register (Index=60h, Default=02h) | 57 |
| 8.7.3 | Environment Controller Base Address LSB Register (Index=61h, Default=90h) | 57 |
| 8.7.4 | PME Direct Access Base Address MSB Register (Index=62h, Default=02h) | 57 |
| 8.7.5 | PME Direct Access Base Address LSB Register (Index=63h, Default=30h) | 57 |
| 8.7.6 | Environment Controller Interrupt Level Select (Index=70h, Default=09h) | 57 |
| 8.7.7 | APC/PME Event Enable Register (PER) (Index=F0h, Default=00h) | 58 |
| 8.7.8 | APC/PME Status Register (PSR) (Index=F1h, Default=00h) | 58 |
| 8.7.9 | APC/PME Control Register 1 (PCR 1) (Index=F2h, Default=00h) | 59 |
| 8.7.10 | Environment Controller Special Configuration Register (Index=F3h, Default=00h) | 59 |
| 8.7.11 | APC/PME Control Register 2 (PCR 2) (Index=F4h, Default=00h) | 60 |
| 8.7.12 | APC/PME Special Code Index Register (Index=F5h) | 60 |
| 8.7.13 | APC/PME Special Code Data Register (Index=F6h) | 60 |
| 8.7.14 | Special Configuration Register 1 (Index=FAh) | 61 |
| 8.7.15 | Special Configuration Register 2 (Index=FBh) | 61 |
| 8.7.16 | Special Configuration Register 3 (Index=FC) | 62 |
| 8.8 | KBC(Keyboard) Configuration Registers (LDN=05h) | 63 |
| 8.8.1 | KBC(Keyboard) Activate (Index=30h, Default=01h) | 63 |
| 8.8.2 | KBC(Keyboard) Data Base Address MSB Register (Index=60h, Default=00h) | 63 |
| 8.8.3 | KBC(Keyboard) Data Base Address LSB Register (Index=61h, Default=60h) | 63 |
| 8.8.4 | KBC(Keyboard) Command Base Address MSB Register (Index=62h, Default=00h) | 63 |
| 8.8.5 | KBC(Keyboard) Command Base Address LSB Register (Index=63h, Default=64h) | 63 |
| 8.8.6 | KBC(Keyboard) Interrupt Level Select (Index=70h, Default=01h) | 63 |
| 8.8.7 | KBC(Keyboard) Interrupt Type (Index=71h, Default=02h) | 63 |
| 8.8.8 | KBC(Keyboard) Special Configuration Register (Index=F0h, Default=08h) | 64 |
| 8.9 | KBC(Mouse) Configuration Registers (LDN=06h) | 65 |
| 8.9.1 | KBC(Mouse) Activate (Index=30h, Default=00h) | 65 |
| 8.9.2 | KBC(Mouse) Interrupt Level Select (Index=70h, Default=0Ch) | 65 |
| 8.9.3 | KBC(Mouse) Interrupt Type (Index=71h, Default=02h) | 65 |
| 8.9.4 | KBC(Mouse) Special Configuration Register (Index=F0h, Default=00h) | 65 |
| 8.10 | GPIO Configuration Registers (LDN=07h) | 66 |
| 8.10.1 | SMI# Normal Run Access Base Address MSB Register (Index=60h, Default=00h) | 66 |
| 8.10.2 | SMI# Normal Run Access Base Address LSB Register (Index=61h, Default=00h) | 66 |
| 8.10.3 | Simple I/O Base Address MSB Register (Index=62h, Default=00h) | 66 |
| 8.10.4 | Simple I/O Base Address LSB Register (Index=63h, Default=00h) | 66 |
| 8.10.5 | Serial Flash I/F Base Address MSB Register (Index=64h, Default=00h) | 66 |
| 8.10.6 | Serial Flash I/F Base Address LSB Register (Index=65h, Default=00h) | 66 |
| 8.10.7 | Panel Button De-bounce Interrupt Level Select Register (Index=70h, Default=00h) | 66 |
| 8.10.8 | Watch Dog Timer Control Register (Index=71h, Default=00h) | 67 |
| 8.10.9 | Watch Dog Timer Configuration Register (Index=72h, Default=001s0000b) | 67 |
| 8.10.10 | Watch Dog Timer Time-out Value (LSB) Register (Index=73h, Default=38h) | 67 |
| 8.10.11 | Watch Dog Timer Time-out Value (MSB) Register (Index=74h, Default=00h) | 67 |
| 8.10.12 | GPIO Pin Set 1, 2, 3, 4, and 5 Polarity Registers (Index=B0h, B1h, B2h, B3h and B4h, Default=00h) | 68 |
| 8.10.13 | GPIO Pin Set 1, 2, 3, 4, 5 and 6 Pin Internal Pull-up Enable Registers (Index=B8h, B9h, BAh, BBh, BCh, BDh, Default=20h, 00h, 00h, 00h, 00h, and 00h) | 68 |
| 8.10.14 | Simple I/O Set 1, 2, 3, 4 and 5 Enable Registers (Index=C0h, C1h, C2h, C3h and C4h, Default=01h, 00h, 00h, 40h, and 00h) | 68 |
| 8.10.15 | Simple I/O Set 1, 2, 3, 4, 5, 6, 7 and 8 Output Enable Registers (Index=C8h, C9h, CAh, CBh, | |

| | |
|---|----|
| CCh, CDh, CEh and CFh, Default=01h, 00h, 00h, 40h, 00h, 00h, 00h and 00h) | 68 |
| 8.10.16 Panel Button De-bounce 0 Input Pin Mapping Register (Index=E0h, Default=00h) | 68 |
| 8.10.17 Panel Button De-bounce 1 Input Pin Mapping Register (Index=E1h, Default=00h) | 69 |
| 8.10.18 IRQ External Routing 1-0 Input Pin Mapping Registers (Index=E3h-E2h, Default=00h) | 69 |
| 8.10.19 IRQ External Routing 1-0 Interrupt Level Selection Registers (Index=E4h, Default=00h) ... | 69 |
| 8.10.20 SMI# Control Register 1 (Index=F0h, Default=00h) | 69 |
| 8.10.21 SMI# Control Register 2 (Index=F1h, Default=00h) | 69 |
| 8.10.22 SMI# Status Register 1 (Index=F2h, Default=00h) | 70 |
| 8.10.23 SMI# Status Register 2 (Index=F3h, Default=00h) | 70 |
| 8.10.24 SMI# Pin Mapping Register (Index=F4h, Default=00h) | 70 |
| 8.10.25 Hardware Monitor Thermal Output Pin Mapping Register (Index=F5h, Default=00h) | 70 |
| 8.10.26 Hardware Monitor Alert Beep Pin Mapping Register (Index=F6h, Default=00h) | 71 |
| 8.10.27 Keyboard Lock Pin Mapping Register (Index=F7h, Default=00h) | 71 |
| 8.10.28 GP LED Blinking 1 Pin Mapping Register (Index=F8h, Default=00h) | 71 |
| 8.10.29 GP LED Blinking 1 Control Register (Index=F9h, Default=00h) | 71 |
| 8.10.30 GP LED Blinking 2 Pin Mapping Register (Index=FAh, Default=00h) | 71 |
| 8.10.31 GP LED Blinking 2 Control Register (Index=FBh, Default=00h) | 72 |
| 8.11 Serial Port 3 Configuration Registers (LDN=08h) | 73 |
| 8.11.1 Serial Port 3 Activate (Index=30h, Default=00h) | 73 |
| 8.11.2 Serial Port 3 Base Address MSB Register (Index=60h, Default=03h) | 73 |
| 8.11.3 Serial Port 3 Base Address LSB Register (Index=61h, Default=F8h) | 73 |
| 8.11.4 Serial Port 3 Interrupt Level Select (Index=70h, Default=04h) | 73 |
| 8.11.5 Serial Port 3 Special Configuration Register 1 (Index=F0h, Default=00h) | 73 |
| 8.11.6 Serial Port 3 Interrupt Type Register (Index=F1h, Default=50h) | 74 |
| 8.11.7 Serial Port 3 9-Bit Multi-Drops Slave Address Register (Index=F2h, Default=00h) | 74 |
| 8.12 Serial Port 4 Configuration Registers (LDN=09h) | 75 |
| 8.12.1 Serial Port 4 Activate (Index=30h, Default=00h) | 75 |
| 8.12.2 Serial Port 4 Base Address MSB Register (Index=60h, Default=02h) | 75 |
| 8.12.3 Serial Port 4 Base Address LSB Register (Index=61h, Default=F8h) | 75 |
| 8.12.4 Serial Port 4 Interrupt Level Select (Index=70h, Default=04h) | 75 |
| 8.12.5 Serial Port 4 Special Configuration Register 1 (Index=F0h, Default=00h) | 75 |
| 8.12.6 Serial Port 4 Interrupt Type Register (Index=F1h, Default=50h) | 76 |
| 8.12.7 Serial Port 4 9-Bit Multi-Drops Slave Address Register (Index=F2h, Default=00h) | 76 |
| 8.13 Consumer IR Configuration Registers (LDN=0Ah) | 77 |
| 8.13.1 Consumer IR Activate (Index=30h, Default=00h) | 77 |
| 8.13.2 Consumer IR Base Address MSB Register (Index=60h, Default=03h) | 77 |
| 8.13.3 Consumer IR Base Address LSB Register (Index=61h, Default=10h) | 77 |
| 8.13.4 Consumer IR Interrupt Level Select (Index=70h, Default=0Bh) | 77 |
| 8.13.5 Consumer IR Special Configuration Register (Index=F0h, Default=06h) | 77 |
| 8.14 Serial Port 5 Configuration Registers (LDN=0Bh) | 78 |
| 8.14.1 Serial Port 5 Activate (Index=30h, Default=00h) | 78 |
| 8.14.2 Serial Port 5 Base Address MSB Register (Index=60h, Default=03h) | 78 |
| 8.14.3 Serial Port 5 Base Address LSB Register (Index=61h, Default=F8h) | 78 |
| 8.14.4 Serial Port 5 Interrupt Level Select (Index=70h, Default=04h) | 78 |
| 8.14.5 Serial Port 5 Special Configuration Register 1 (Index=F0h, Default=00h) | 78 |
| 8.14.6 Serial Port 5 Interrupt Type Register (Index=F1h, Default=50h) | 79 |
| 8.14.7 Serial Port 5 9-Bit Multi-Drops Slave Address Register (Index=F2h, Default=00h) | 79 |
| 8.15 Serial Port 6 Configuration Registers (LDN=0Ch) | 80 |
| 8.15.1 Serial Port 1 Activate (Index=30h, Default=00h) | 80 |
| 8.15.2 Serial Port 6 Base Address MSB Register (Index=60h, Default=02h) | 80 |
| 8.15.3 Serial Port 6 Base Address LSB Register (Index=61h, Default=F8h) | 80 |
| 8.15.4 Serial Port 6 Interrupt Level Select (Index=70h, Default=04h) | 80 |
| 8.15.5 Serial Port 6 Special Configuration Register 1 (Index=F0h, Default=00h) | 80 |
| 8.15.6 Serial Port 6 Interrupt Type Register (Index=F1h, Default=50h) | 81 |

| | | |
|------------|--|----|
| 8.15.7 | Serial Port 6 9-Bit Multi-Drops Slave Address Register (Index=F2h, Default=00h)..... | 81 |
| 9. | Functional Description..... | 83 |
| 9.1 | LPC Interface..... | 83 |
| 9.1.1 | LPC Transactions | 83 |
| 9.1.2 | LDRQ# Encoding | 83 |
| 9.2 | Serialized IRQ..... | 84 |
| 9.2.1 | Continuous Mode..... | 84 |
| 9.2.2 | Quiet Mode | 84 |
| 9.2.3 | Waveform Samples of SERIRQ Sequence | 84 |
| 9.2.4 | SERIRQ Sampling Slot..... | 85 |
| 9.3 | General Purpose I/O..... | 86 |
| 9.4 | Advanced Power Supply Control and Power Management Event (PME#) | 88 |
| 9.5 | Environment Controller..... | 89 |
| 9.5.1 | Interface..... | 89 |
| 9.5.2 | Registers..... | 89 |
| 9.5.2.1 | Address Port (Base+05h, Default=00h) | 89 |
| 9.5.2.2 | Register Description | 93 |
| 9.5.2.2.1 | Configuration Register (Index=00h, Default=18h) | 93 |
| 9.5.2.2.2 | Interrupt Status Register 1 (Index=01h, Default=00h)..... | 94 |
| 9.5.2.2.3 | Interrupt Status Register 2 (Index=02h, Default=00h)..... | 94 |
| 9.5.2.2.4 | Interrupt Status Register 3 (Index=03h, Default=00h)..... | 94 |
| 9.5.2.2.5 | SMI# Mask Register 1 (Index=04h, Default=00h) | 94 |
| 9.5.2.2.6 | SMI# Mask Register 2 (Index=05h, Default=00h) | 94 |
| 9.5.2.2.7 | SMI# Mask Register 3 (Index=06h, Default=00h) | 94 |
| 9.5.2.2.8 | Interrupt Mask Register 1 (Index=07h, Default=00h) | 95 |
| 9.5.2.2.9 | Interrupt Mask Register 2 (Index=08h, Default=00h) | 95 |
| 9.5.2.2.10 | Interrupt Mask Register 3 (Index=09h, Default=80h) | 95 |
| 9.5.2.2.11 | Interface Selection Register (Index=0Ah, Default=58h) | 95 |
| 9.5.2.2.12 | Fan PWM Smoothing Step Frequency Selection Register (Index=0Bh, Default=0Fh) 96 | |
| 9.5.2.2.13 | Fan Tachometer Control Register (Index=0Ch, Default=00h)..... | 96 |
| 9.5.2.2.14 | Fan Tachometer 1-3 Reading Registers (Index=0Dh-0Fh)..... | 96 |
| 9.5.2.2.15 | Fan Tachometer 1-3 Limit Registers (Index=10h-12h) | 96 |
| 9.5.2.2.16 | Fan Controller Main Control Register (Index=13h, Default=07h) | 97 |
| 9.5.2.2.17 | FAN_CTL Control Register (Index=14h, Default=40h)..... | 97 |
| 9.5.2.2.18 | FAN_CTL 1-3 PWM Control Register (Index=15h,16h,17h, Default=00h) 98 | |
| 9.5.2.2.19 | Fan Tachometer 1-3 Extended Reading Registers (Index=18h-1Ah)98 | |
| 9.5.2.2.20 | Fan Tachometer 1-3 Extended Limit Registers (Index=1Bh-1Dh) ... | 98 |
| 9.5.2.2.21 | VIN4-0 Voltage Reading Registers (Index=24h-20h) | 98 |
| 9.5.2.2.22 | 3VSB Voltage Reading Registers (Index=27h) | 98 |
| 9.5.2.2.23 | VBAT Voltage Reading Register (Index=28h)..... | 98 |
| 9.5.2.2.24 | TMPIN3-1 Temperature Reading Registers (Index=2Bh-29h)..... | 99 |
| 9.5.2.2.25 | 3VSB, VIN4-0 High Limit Registers (Index=3Eh, 38h, 36h, 34h, 32h, 30h) 99 | |
| 9.5.2.2.26 | 3VSB, VIN4-0 Low Limit Registers (Index=3Fh, 39h, 37h, 35h, 33h, 31h) 99 | |
| 9.5.2.2.27 | TMPIN3-1 High Limit Registers (Index=44h, 42h, 40h)..... | 99 |
| 9.5.2.2.28 | TMPIN3-1 Low Limit Registers (Index=45h, 43h, 41h) | 99 |
| 9.5.2.2.29 | ADC Voltage Channel Enable Register (Index=50h, Default=00h) .. | 99 |
| 9.5.2.2.30 | ADC Temperature Channel Enable Register (Index=51h, Default=00h) 99 | |
| 9.5.2.2.31 | TMPIN3-1 Thermal Output Limit Registers (Index=54h-52h, Default=7Fh) | |

| | |
|------------|--|
| | 99 |
| 9.5.2.2.32 | ADC Temperature Extra Channel Enable Register (Index=55h, Default=40h) 100 |
| 9.5.2.2.33 | Thermal Diode Zero Degree Adjust 3-1 Registers (Index=59h, 57h, 56h, Default=00h) 100 |
| 9.5.2.2.34 | Vendor ID Register (Index=58h, Default=90h) 100 |
| 9.5.2.2.35 | Code ID Register (Index=5Bh, Default=12h)..... 100 |
| 9.5.2.2.36 | Beep Event Enable Register (Index=5Ch, Default=60h) 101 |
| 9.5.2.2.37 | Beep Frequency Divisor of Fan Event Register (Index=5Dh, Default=00h) 101 |
| 9.5.2.2.38 | Beep Frequency Divisor of Voltage Event Register (Index=5Eh, Default=00h) 101 |
| 9.5.2.2.39 | Beep Frequency Divisor of Temperature Event Register (Index=5Fh, Default=00h) 101 |
| 9.5.2.2.40 | FAN_CTL3-1 SmartGuardian Automatic Mode Temperature Limit of OFF Registers (Index=70h, 68h, 60h, Default=7Fh) 101 |
| 9.5.2.2.41 | FAN_CTL3-1 SmartGuardian Automatic Mode Temperature Limit of Fan Start Registers (Index=71h, 69h, 61h, Default=7Fh) 101 |
| 9.5.2.2.42 | FAN_CTL3-1 SmartGuardian Automatic Mode Temperature Limit of Full Speed Registers (Index=72h, 6Ah, 62h, Default=7Fh) 102 |
| 9.5.2.2.43 | FAN_CTL3-1 SmartGuardian Automatic Mode Start PWM Registers (Index=73h, 6Bh, 63h, Default=00h/80h) 102 |
| 9.5.2.2.44 | FAN_CTL3-1 SmartGuardian Automatic Mode Control Registers (Index=74h, 6Ch, 64h, Default=00h)..... 102 |
| 9.5.2.2.45 | FAN_CTL3-1 SmartGuardian Automatic Mode Δ -Temperature Registers (Index=75h, 6Dh, 65h, Default=00h)..... 103 |
| 9.5.2.2.46 | FAN_CTL3-1 Target Zone Registers (Index=76h, 6Eh, 66h, Default=0Fh) 103 |
| 9.5.2.2.47 | Fan Tachometer 4-5 Reading LSB Registers (Index=80h,82h) 103 |
| 9.5.2.2.48 | Fan Tachometer 4-5 Reading MSB Registers (Index=81h,83h) 103 |
| 9.5.2.2.49 | Fan Tachometer 4-5 Limit LSB Registers (Index=84h,86h) 103 |
| 9.5.2.2.50 | Fan Tachometer 4-5 Limit MSB Registers (Index=85h,87h) 103 |
| 9.5.2.2.51 | External Temperature Sensor Host Status Register (Index=88h, Default=-00h) 104 |
| 9.5.2.2.52 | External Temperature Sensor Host Target Address Register (Index=89h, Default=00h) 104 |
| 9.5.2.2.53 | External Temperature Sensor Host Write Length Register (Index=8Ah, Default=00h) 104 |
| 9.5.2.2.54 | External Temperature Sensor Host Read Length Register (Index=8Bh, Default=00h) 105 |
| 9.5.2.2.55 | External Temperature Sensor Host Command (Write Data 1) Register (Index=8Ch, Default=00h) 105 |
| 9.5.2.2.56 | External Temperature Sensor Write Data (2-8) Register (Index=8Dh, Default=-h) 105 |
| 9.5.2.2.57 | External Temperature Sensor Host Control Register (Index=8Eh, Default=00h) 105 |
| 9.5.2.2.58 | External Temperature Sensor Read Data (1-16) Register (Index=8Fh, Default=-h) 106 |
| 9.5.2.2.59 | Special FAN Control Mode Extra Vector A, B Temperature Limit of Fan Start Registers (Index=90h, 94h, Default=FFh) 106 |
| 9.5.2.2.60 | Special FAN Control Mode Extra Vector A, B Slope Registers (Index=91h, 95h, Default=00h)..... 106 |

| | | |
|------------|---|-----|
| 9.5.2.2.61 | Special FAN Control Mode Extra Vector A, B Δ -Temperature Registers (Index=92h, 96h, Default=00h)..... | 107 |
| 9.5.2.2.62 | Special FAN Control Mode Extra Vector A, B Range Registers (Index=93h, 97h, Default=00h)..... | 107 |
| 9.5.2.2.63 | PCH/AMDTSI Host Status Register (Index=98h, Default=---00000b)..... | 107 |
| 9.5.2.2.64 | PCH/AMDTSI Host Target Address Register (Index=99h, Default=00h)..... | 108 |
| 9.5.2.2.65 | PCH/AMDTSI Host Command Register (Index=9Ch, Default=00h)..... | 108 |
| 9.5.2.2.66 | PCH/AMDTSI Write Data Register (Index=9Dh, Default=--h)..... | 108 |
| 9.5.2.2.67 | PCH/AMDTSI Host Control Register (Index=9Eh, Default=00h)..... | 109 |
| 9.5.2.2.68 | PCH/AMDTSI Read Data (1-16) Register (Index=9Fh, Default=--h)..... | 109 |
| 9.5.3 | Operation..... | 110 |
| 9.5.3.1 | Power on Reset and Software Reset..... | 110 |
| 9.5.3.2 | Starting Conversion..... | 110 |
| 9.5.3.3 | Voltage and Temperature Inputs..... | 111 |
| 9.5.3.4 | Layout and Grounding..... | 111 |
| 9.5.3.5 | Fan Tachometer..... | 112 |
| 9.5.3.6 | Interrupt of the EC..... | 112 |
| 9.5.3.7 | FAN Controller FAN_CTL's ON-OFF and SmartGuardian Modes..... | 113 |
| 9.5.3.8 | External Thermal Sensor Programming Procedure..... | 115 |
| 9.6 | Serial Port (UART)..... | 121 |
| 9.6.1 | Data Register..... | 121 |
| 9.6.1.1 | Receiver Buffer Register (RBR) (Read only, Address offset=0, DLAB=0)..... | 121 |
| 9.6.1.2 | Transmitter Buffer Register (TBR) (Write only, Address offset=0, DLAB=0)..... | 121 |
| 9.6.2 | Control Register..... | 122 |
| 9.6.2.1 | Interrupt Enable Register (IER) (Read/Write, Address offset=1, DLAB=0)..... | 122 |
| 9.6.2.2 | Interrupt Identification Register (IIR) (Read only, Address offset=2)..... | 122 |
| 9.6.2.3 | FIFO Control Register (FCR) (Write Only, Address offset=2)..... | 124 |
| 9.6.2.4 | Divisor Latches (DLL, DLM) (Read/Write, Address offset=0, 1 DLAB=0)..... | 124 |
| 9.6.2.5 | Baud Rate Generator (BRG)..... | 124 |
| 9.6.2.6 | Scratch Pad Register (Read/Write, Address offset=7)..... | 125 |
| 9.6.2.7 | Line Control Register (LCR) (Read/Write, Address offset=3)..... | 126 |
| 9.6.2.8 | Modem Control Register (MCR) (Read/Write, Address offset=4)..... | 127 |
| 9.6.3 | Status Registers..... | 128 |
| 9.6.3.1 | Line Status Register (LSR) (Read/Write, Address offset=5)..... | 128 |
| 9.6.3.2 | Modem Status Register (MSR) (Read/Write, Address offset=6)..... | 129 |
| 9.6.4 | Reset..... | 130 |
| 9.6.5 | Programming..... | 130 |
| 9.6.6 | Software Reset..... | 130 |
| 9.6.7 | Clock Input Operation..... | 130 |
| 9.6.8 | FIFO Interrupt Mode Operation..... | 130 |
| 9.7 | Parallel Port..... | 132 |
| 9.7.1 | SPP and EPP Mode..... | 132 |
| 9.7.1.1 | Data Port Register (Base Address 1 + 00h)..... | 133 |
| 9.7.1.2 | Status Port Register (Base Address 1 + 01h)..... | 133 |
| 9.7.1.3 | Control Port Register (Base Address 1 + 02h)..... | 133 |
| 9.7.1.4 | EPP Address Port Register (Base Address 1 + 03h)..... | 134 |
| 9.7.1.5 | EPP Data Port 0-3 Register (Base Address 1 + 04-07h)..... | 134 |
| 9.7.2 | EPP Mode Operation..... | 134 |
| 9.7.2.1 | EPP ADDRESS WRITE..... | 134 |
| 9.7.2.2 | EPP ADDRESS READ..... | 134 |
| 9.7.2.3 | EPP DATA WRITE..... | 135 |
| 9.7.2.4 | EPP DATA READ..... | 135 |
| 9.7.3 | ECP Mode Operation..... | 135 |

| | | |
|----------|--|-----|
| 9.7.3.1 | ECP Register Definition..... | 136 |
| 9.7.3.2 | ECP Mode Description..... | 136 |
| 9.7.3.3 | ECP Pin Description..... | 137 |
| 9.7.3.4 | Data Port (Base 1+00h, Modes 000 and 001)..... | 137 |
| 9.7.3.5 | ecpAFifo Port (Address/RLE) (Base 1 +00h, Mode 011)..... | 137 |
| 9.7.3.6 | Device Status Register (dsr) (Base 1 +01h, Mode All)..... | 137 |
| 9.7.3.7 | Device Control Register (dcr) (Base 1+02h, Mode All)..... | 138 |
| 9.7.3.8 | Parallel Port Data FIFO (cFifo) (Base 2+00h, Mode 010)..... | 138 |
| 9.7.3.9 | ECP Data FIFO (ecpDFifo) (Base 2+00h, Mode 011)..... | 138 |
| 9.7.3.10 | Test FIFO (tFifo) (Base 2+00h, Mode 110)..... | 138 |
| 9.7.3.11 | Configuration Register A (cnfgA) (Base 2+00h, Mode 111)..... | 138 |
| 9.7.3.12 | Configuration Register B (cnfgB) (Base 2+01h, Mode 111)..... | 138 |
| 9.7.3.13 | Extended Control Register (ecr) (Base 2+02h, Mode All)..... | 139 |
| 9.7.3.14 | Mode Switching Operation..... | 140 |
| 9.7.3.15 | Software Operation (ECP)..... | 140 |
| 9.7.3.16 | Hardware Operation (DMA)..... | 140 |
| 9.7.3.17 | Interrupt..... | 141 |
| 9.7.3.18 | Interrupt-driven Programmed I/O..... | 141 |
| 9.7.3.19 | Standard Parallel Port..... | 141 |
| 9.8 | Keyboard Controller (KBC)..... | 142 |
| 9.8.1 | Host Interface..... | 142 |
| 9.8.2 | Data Registers and Status Register..... | 143 |
| 9.8.3 | Keyboard and Mouse Interface..... | 143 |
| 9.8.4 | KIRQ and MIRQ..... | 143 |
| 9.9 | Consumer Remote Control (TV Remote) IR (CIR)..... | 144 |
| 9.9.1 | Overview..... | 144 |
| 9.9.2 | Features..... | 144 |
| 9.9.3 | Block Diagram..... | 144 |
| 9.9.4 | Transmit Operation..... | 145 |
| 9.9.5 | Receive Operation..... | 145 |
| 9.9.6 | Register Description and Address..... | 145 |
| 9.9.6.1 | CIR Data Register (DR)..... | 146 |
| 9.9.6.2 | CIR Interrupt Enable Register (IER)..... | 146 |
| 9.9.6.3 | CIR Receiver Control Register (RCR)..... | 147 |
| 9.9.6.4 | CIR Transmitter Control Register 1 (TCR1)..... | 148 |
| 9.9.6.5 | CIR Transmitter Control Register (TCR2)..... | 149 |
| 9.9.6.6 | CIR Transmitter Status Register (TSR)..... | 152 |
| 9.9.6.7 | CIR Receiver FIFO Status Register (RSR)..... | 152 |
| 9.9.6.8 | CIR Baud Rate Divisor Low Byte Register (BDLR)..... | 152 |
| 9.9.6.9 | CIR Baud Rate Divisor High Byte Register (BDHR)..... | 153 |
| 9.9.6.10 | CIR Interrupt Identification Register (IIR)..... | 153 |
| 10 | DC Electrical Characteristics..... | 155 |
| 11 | AC Characteristics..... | 157 |
| 11.1 | Clock Input Timings..... | 157 |
| 11.2 | LCLK (PCICLK) and LRESET Timings..... | 158 |
| 11.3 | LPC and SERIRQ Timings..... | 159 |
| 11.4 | Modem Control Timings..... | 160 |
| 11.5 | EPP Address or Data Write Cycle Timings..... | 161 |
| 11.6 | Keyboard/Mouse Receive/Send Data Timings..... | 162 |
| 11.7 | EPP Address or Data Read Cycle Timings..... | 163 |
| 11.8 | ECP Parallel Port Forward Timings..... | 164 |
| 11.9 | ECP Parallel Port Backward Timings..... | 165 |
| 11.10 | RSMRST# and ACPI Power Control Signal Timings..... | 166 |
| 11.11 | PWRGD1, PWRGD2, PWRGD3 Signal Timings..... | 167 |

| | | |
|-------|---|-----|
| 11.12 | Energy-using Product (EuP) Power Control Signal Timings | 169 |
| 11.13 | DSW Timings..... | 170 |
| 12. | Package Information | 171 |
| 13. | Ordering Information | 173 |
| 14. | Top Marking Information | 175 |

FIGURES

| | | |
|---------------|---|-----|
| Figure 4-1. | IT8786E-I 128-LQFP | 7 |
| Figure 7-1. | IT8786E-I EUP Applications Circuitry for Intel ICH..... | 36 |
| Figure 7-2. | IT8786E-I DSW Applications Circuitry for Intel CPT/PCH..... | 36 |
| Figure 9-1. | Start Frame Timing..... | 84 |
| Figure 9-2. | Stop Frame Timing..... | 84 |
| Figure 9-3. | General Logic of GPIO Function | 87 |
| Figure 9-4. | Application Example | 110 |
| Figure 9-5. | Temperature Interrupt Response Diagram | 113 |
| Figure 9-6. | SmartGuardian Automatic Mode | 114 |
| Figure 9-7. | PECI Programming Procedure | 115 |
| Figure 9-8. | SST Host Programming Procedure..... | 116 |
| Figure 9-9. | SST Slave Programming Procedure | 117 |
| Figure 9-10. | SMBUS Host Programming Procedure | 118 |
| Figure 9-11. | AMDTSI Host Programming Procedure | 119 |
| Figure 9-12. | PCH SM-Link Programming Procedure | 120 |
| Figure 9-13. | Keyboard and Mouse Interface | 142 |
| Figure 9-14. | CIR Block Diagram..... | 144 |
| Figure 11-1. | Clock Input Timings..... | 157 |
| Figure 11-2. | LCLK (PCICLK) and LRESET Timings | 158 |
| Figure 11-3. | LPC and SERIRQ Timings | 159 |
| Figure 11-4. | Modem Control Timings | 160 |
| Figure 11-5. | EPP Address or Data Write Cycle Timings | 161 |
| Figure 11-6. | Keyboard/Mouse Receive/Send Data Timings..... | 162 |
| Figure 11-7. | EPP Address or Data Read Cycle Timings | 163 |
| Figure 11-8. | ECP Parallel Port Forward Timings..... | 164 |
| Figure 11-9. | ECP Parallel Port Backward Timings | 165 |
| Figure 11-10. | RSMRST# Timings..... | 166 |
| Figure 11-11. | PWRGD3 Timings..... | 166 |
| Figure 11-12. | ACPI Power Signal Timings | 166 |
| Figure 11-13. | PWRGD1/2/3 Signal Condition | 167 |
| Figure 11-14. | PWRGD1/2/3 Signal Timings..... | 168 |
| Figure 11-15. | PCIRST#1 Signal Timings..... | 168 |
| Figure 11-16. | EuP Function Signal Timings | 169 |

| | |
|------------------------------------|-----|
| Figure 11-17. DPWORK Timings | 170 |
| Figure 11-18. DSW Timings | 170 |

TABLES

| | |
|---|----|
| Table 4-1. Pins Listed in Numeric Order..... | 8 |
| Table 5-1. Pin Description of Supplies Signals | 9 |
| Table 5-2. Pin Description of LPC Bus Interface Signals | 9 |
| Table 5-3. Pin Description of Hardware Monitor Signals | 10 |
| Table 5-4. Pin Description of Fan Controller Signals | 11 |
| Table 5-5. Pin Description of Infrared Port Signals..... | 12 |
| Table 5-6. Pin Description of Serial Port 1 Signals | 13 |
| Table 5-7. Pin Description of Serial Port 2 Signals | 14 |
| Table 5-8. Pin Description of Serial Port 3 Signals | 15 |
| Table 5-9. Pin Description of Serial Port 4 Signals | 16 |
| Table 5-10. Pin Description of Serial Port 5 Signals | 17 |
| Table 5-11. Pin Description of Serial Port 6 Signals | 19 |
| Table 5-12. Pin Description of Parallel Port Signals | 20 |
| Table 5-13. Pin Description of Keyboard Controller Signals..... | 22 |
| Table 5-14. DSW (Deep Sleep Well) Signals | 23 |
| Table 5-15. Pin Description of Miscellaneous Signals | 24 |
| Table 6-1. GPIO Alternate Function | 27 |
| Table 6-2. GPIO Registers and Power Pads Table..... | 32 |
| Table 7-1. Power On Strapping Options | 35 |
| Table 8-1. Global Configuration Registers..... | 39 |
| Table 8-2. Serial Port 1 Configuration Registers | 39 |
| Table 8-3. Serial Port 2 Configuration Registers | 40 |
| Table 8-4. Parallel Port Configuration Registers | 40 |
| Table 8-5. Environment Controller Configuration Registers | 40 |
| Table 8-6. KBC(Keyboard) Configuration Registers | 41 |
| Table 8-7. KBC(Mouse) Configuration Registers | 41 |
| Table 8-8. GPIO Configuration Registers | 41 |
| Table 8-9. Serial Port 3 Configuration Registers | 43 |
| Table 8-10. Serial Port 4 Configuration Registers | 43 |
| Table 8-11. Consumer IR Configuration Registers..... | 43 |
| Table 8-12. Serial Port 5 Configuration Registers | 44 |
| Table 8-13. Serial Port 6 Configuration Registers | 44 |
| Table 8-14. Base Address of Logical Devices | 44 |
| Table 8-15. Interrupt Level Mapping Table | 81 |
| Table 8-16. DMA Channel Mapping Table..... | 81 |
| Table 8-17 Location Mapping Table | 82 |

| | |
|---|-----|
| Table 9-1. Address Map on LPC Bus | 89 |
| Table 9-2. Environment Controller Registers..... | 90 |
| Table 9-3. Serial Channel Registers | 121 |
| Table 9-4. Interrupt Identification Register..... | 123 |
| Table 9-5. Receiver FIFO Trigger Level Encoding | 124 |
| Table 9-6. Baud Rate Using (24 MHz ÷ 13) Clock..... | 125 |
| Table 9-7. Stop Bit Number Encoding | 126 |
| Table 9-8. Reset Control of Register and Pinout Signal | 130 |
| Table 9-9. Parallel Port Connector in Different Modes | 132 |
| Table 9-10. Address Map and Bit Map for SPP and EPP Mode..... | 132 |
| Table 9-11. Bit Map of ECP Register..... | 135 |
| Table 9-12. Mode and Description of Extended Control Register (ECR) | 139 |
| Table 9-13. Data Register READ/WRITE Controls | 142 |
| Table 9-14. Status Register | 143 |
| Table 9-15. CIR Register | 145 |
| Table 9-16. Modulation Carrier Frequency | 150 |
| Table 9-17. Receiver Demodulation Low Frequency (HCFS = 0) | 151 |
| Table 9-18. Receiver Demodulation High Frequency (HCFS = 1)..... | 152 |
| Table 11-1. DSW Timings Parameter | 170 |

1. Features

- **Low Pin Count Interface**
 - Complies with Intel Low Pin Count Interface Specification Rev. 1.1
 - Supports LDRQ#, SERIRQ protocols
 - Supports PCI PME# Interfaces
- **ACPI & LANDesk Compliant**
 - ACPI V. 2.0 compliant
 - Register sets compatible with "Plug and Play ISA Specification V. 1.0a"
 - LANDesk 3.X compliant
 - Supports 8 logical devices
- **Enhanced Hardware Monitor**
 - Built-in 8-bit Analog to Digital Converter
 - 3 thermal inputs from either remote thermal resistor or thermal diode or diode-connected transistor, the temperature sensor of the current mode
 - 5 voltage monitor inputs (3VSB and VBAT measured internally)
 - 1 chassis open detection input with low power Flip-Flop dual-powered by battery or 3VSB
 - Watch Dog comparison of all monitored values
 - SST/PECI/AMDTSI/PCH SM-Link I/F supporting external temperature reading for fan control
- **Fan Speed Controller**
 - Provides fan on-off and PWM control
 - Supports 5 programmable Pulse Width Modulation (PWM) outputs
 - 256 steps of PWM mode
 - Monitors 5 fan tachometer inputs
 - Provides fan close-loop control
- **SmartGuardian Controller**
 - Provides programmably automatic fan speed control
 - Supports mix-and-match for temperature inputs and fan speed control outputs
 - Overrides fan speed controller during catastrophic situations
 - Provides audible over temperature warning
- **Six 16C550 UARTs**
 - Supports six standard Serial Ports
 - Supports RS485 automatic direction control
 - Supports 128 Bytes RX FIFOs.
 - Supports 9-bit multi-drops function
- **Consumer Remote Control (TV remote) IR with Power-up Feature**
 - Supports two CIR RX Ports
- **IEEE 1284 Parallel Port**
 - Standard mode -- Bi-directional SPP compliant
 - Enhanced mode -- EPP V. 1.7 and V. 1.9 compliant
 - High-speed mode -- ECP, IEEE 1284 compliant
 - Back-drive current reduction
 - Printer power-on damage reduction
 - Supports POST (Power-On Self Test) Data Port
- **Keyboard Controller**
 - 8042 compatible with PS/2 keyboard and mouse
 - Hardware KBC
 - GateA20 and Keyboard reset output
 - Supports Multiple keyboard power-on events (Any Keys, 2-5 Sequential Keys, 1-3 simultaneous Keys)
 - Supports mouse double-click and/or mouse move power on events
- **64 General Purpose I/O Pins**
 - Input mode supports either switch de-bounce or programmable external IRQ input routing
 - Output mode supports 2 sets of programmable LED blinking periods
- **Watch Dog Timer**
 - Time resolution 1 minute or 1 second, maximum 65535 minutes or 65535 seconds
 - Output to KRST# and PWRGD when expired
- **ITE's Innovative Automatic Power-failure Resume and Power Button De-bounce**
- **Eco-design of Energy-using Product (EuP), Extra Low Power S5 Control**
- **Intel DSW Support**
- **5VAUX_SW Control**
- **Built-in 32.768 kHz Oscillator**
- **Single 24/48 MHz Clock Input**

IT8786E-I (For B Version)

- 3VSB and VBAT Supported
- Hardware Reset Strapping for Enter-Key:
2E/2F and 4E/4F
- +3.3V Power Supply
- Case Open Detection
- Automatic PWRON#
- 128-Pin LQFP
- RoHS Compliant (100% Green Available)

2. General Description

The IT8786E-I is a highly integrated Super I/O using the Low Pin Count Interface. It provides the most commonly used legacy Super I/O functionality plus the latest Environment Control initiatives, including H/W Monitor and Fan Speed Controller. The device's LPC interface complies with Intel "LPC Interface Specification Rev. 1.1". The IT8786E-I is ACPI & LANDesk compliant.

The IT8786E-I features an enhanced hardware monitor providing three thermal inputs from remote thermal resistors, or thermal diode or diode-connected transistor (2N3904/2N3906). The device employs ITE's innovative intelligent automatic Fan ON/OFF & speed control functions (SmartGuardian) to protect the system while reducing the system noise and power consumption. The Fan Speed Controller can control up to five fan speeds through five separate 256 steps of Pulse Width Modulation (PWM) output pins and monitor up to five FANs' Tachometer inputs.

In addition, it features six 16C550 standard compatible enhanced UARTs performing asynchronous communication, one multi-mode high-performance parallel port supporting bi-directional Standard Parallel Port (SPP), Enhanced Parallel Port (EPP V. 1.7 and EPP V. 1.9), and IEEE 1284 compliant Extended Capabilities Port (ECP), one integrated Keyboard Controller, eight GPIO ports controlling up to 64 GPIO pins, which can be individually enabled or disabled via software configuration registers, and IR interface supported.

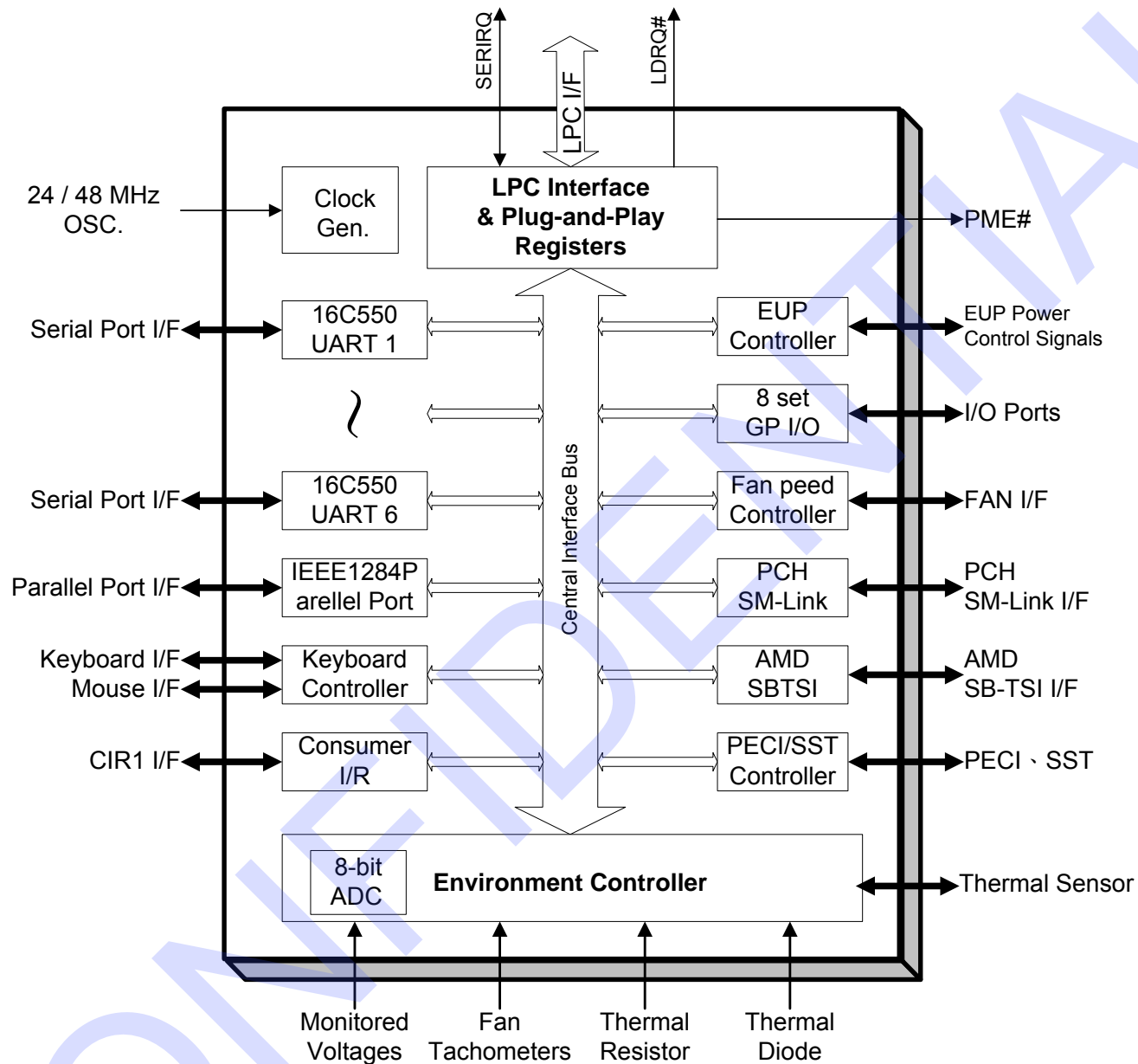
Regarding eco-design of Energy-using Product (EuP), IT8786E-I provides not only a solution to reducing power consumption in S5 State but also Keyboard, Mouse, RI# and CIR wakeup events in S3/S5 State.

The IT8786E-I utilizes power-saving circuitry to reduce power consumption, and once a logical device is disabled, the inputs are inhibited with the clock disabled and the outputs are tri-stated. The device requires a single 24/48 MHz clock input and operates with +3.3V power supply. The IT8786E-I is available in 128-pin LQFP.

CONFIDENTIAL

This page is intentionally left blank.

3. Block Diagram



CONFIDENTIAL

This page is intentionally left blank.

4. Pin Configuration

Figure 4-1. IT8786E-I 128-LQFP

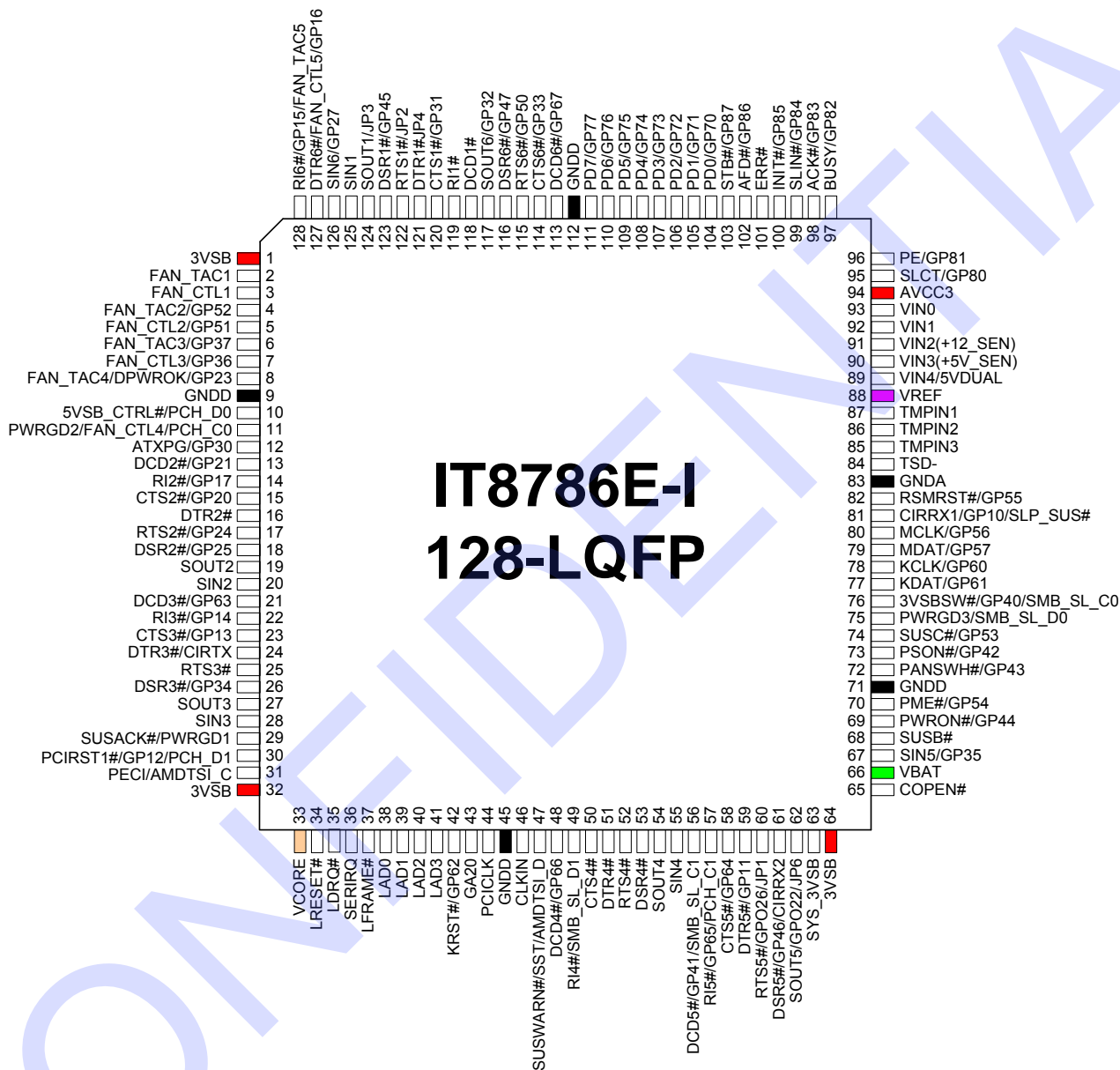


Table 4-1. Pins Listed in Numeric Order

| Pin | Signal | Pin | Signal | Pin | Signal | Pin | Signal |
|-----|----------------------------|-----|---------------------------|-----|----------------------------|-----|-------------------------|
| 1 | 3VSB | 33 | VCORE | 65 | COPEN# | 97 | BUSY/GP82 |
| 2 | FAN_TAC1 | 34 | LRESET# | 66 | VBAT | 98 | ACK#/GP83 |
| 3 | FAN_CTL1 | 35 | LDRQ# | 67 | SIN5/GP35 | 99 | SLIN#/GP84 |
| 4 | FAN_TAC2/GP52 | 36 | SERIRQ | 68 | SUSB# | 100 | INIT#/GP85 |
| 5 | FAN_CTL2/GP51 | 37 | LFRAME# | 69 | PWRON#/GP44 | 101 | ERR# |
| 6 | FAN_TAC3/GP37 | 38 | LAD0 | 70 | PME#/GP54 | 102 | AFD#/GP86 |
| 7 | FAN_CTL3/GP36 | 39 | LAD1 | 71 | GNDD | 103 | STB#/GP87 |
| 8 | FAN_TAC4/DPWR OK/GP23 | 40 | LAD2 | 72 | PANSWH#/GP43 | 104 | PD0/GP70 |
| 9 | GNDD | 41 | LAD3 | 73 | PSON#/GP42 | 105 | PD1/GP71 |
| 10 | 5VSB_CTRL#/PCH_ D0 | 42 | KRST#/GP62 | 74 | SUSC#/GP53 | 106 | PD2/GP72 |
| 11 | PWRGD2/FAN_CTL 4/PCH_C0 | 43 | GA20 | 75 | PWRGD3/SMB_SL_ D0 | 107 | PD3/GP73 |
| 12 | ATXPG/GP30 | 44 | PCICLK | 76 | 3VSBSW#/GP40/SM B_SL_C0 | 108 | PD4/GP74 |
| 13 | DCD2#/GP21 | 45 | GNDD | 77 | KDAT/GP61 | 109 | PD5/GP75 |
| 14 | RI2#/GP17 | 46 | CLKIN | 78 | KCLK/GP60 | 110 | PD6/GP76 |
| 15 | CTS2#/GP20 | 47 | SUSWARN#/SST/A MDTSL_D | 79 | MDAT/GP57 | 111 | PD7/GP77 |
| 16 | DTR2 | 48 | DCD4#/GP66 | 80 | MCLK/GP56 | 112 | GNDD |
| 17 | RTS2#/GP24 | 49 | RI4#/SMB_SL_D1 | 81 | CIRRX1/GP10/SLP_S US# | 113 | DCD6#/GP67 |
| 18 | DSR2#/GP25 | 50 | CTS4# | 82 | RSMRST#/GP55 | 114 | CTS6#/GP33 |
| 19 | SOUT2 | 51 | DTR4# | 83 | GNDA | 115 | RTS6#/GP50 |
| 20 | SIN2 | 52 | RTS4# | 84 | TSD- | 116 | DSR6#/GP47 |
| 21 | DCD3#/GP63 | 53 | DSR4# | 85 | TMPIN3 | 117 | SOUT6/GP32 |
| 22 | RI3#/GP14 | 54 | SOUT4 | 86 | TMPIN2 | 118 | DCD1# |
| 23 | CTS3#/GP13 | 55 | SIN4 | 87 | TMPIN1 | 119 | RI1# |
| 24 | DTR3#/CIRTX | 56 | DCD5#/GP41/SMB_ SL_C1 | 88 | VREF | 120 | CTS1#/GP31 |
| 25 | RTS3# | 57 | RI5#/GP65/PCH_C1 | 89 | VIN4/5VDUAL | 121 | DTR1#/JP4 |
| 26 | DSR3#/GP34 | 58 | CTS5#/GP64 | 90 | VIN3(+5V_SEN) | 122 | RTS1#/JP2 |
| 27 | SOUT3 | 59 | DTR5#/GP11 | 91 | VIN2(+12_SEN) | 123 | DSR1#/GP45 |
| 28 | SIN3 | 60 | RTS5#/GPO26/JP1 | 92 | VIN1 | 124 | SOUT1/JP3 |
| 29 | SUSACK#/PWRGD 1 | 61 | DSR5#/GP46/CIRRX 2 | 93 | VIN0 | 125 | SIN1 |
| 30 | PCIRST1#/GP12/P CH_D1 | 62 | SOUT5/GPO22/JP6 | 94 | AVCC3 | 126 | SIN6/GP27 |
| 31 | PECI/AMDTSL_C | 63 | SYS_3VSB | 95 | SLCT/GP80 | 127 | DTR6#/FAN_CTL5/ GP16 |
| 32 | 3VSB | 64 | 3VSB | 96 | PE/GP81 | 128 | RI6#/GP15/FAN_T AC5 |

5. Pin Description

The IT8786E-I is a 3.3V voltage part. It is just for 3.3V application.

- ◆ The I/O buffer output pads are backdrive protected.
- ◆ The LPC interface pins are 3.3V only.
- ◆ The Hardware Monitoring analog pins are 3.3V only. (VIN0~4 and TEMPIN11~3 etc.)
- ◆ The input voltage for all other pins is 5V tolerance. (ex: ATXPG, FAN_TAC etc.)
- ◆ For DO pins, it is not 5V tolerant and should not be pulled up to 5V.

Table 5-1. Pin Description of Supplies Signals

| Pin(s) No. | Symbol | Attribute | Power | Description |
|-------------------|--------|-----------|-------|---|
| 1, 32, 64 | 3VSB | PWR | - | +3.3V Standby Power Supply |
| 94 | AVCC3 | PWR | - | +3.3V Analog Power Supply |
| 66 | VBAT | PWR | - | +3V Battery Supply |
| 33 | VCORE | AO | - | Internal Power supply(1.8V) It is required to connect this pin with the external capacitance. |
| 9, 45, 71, 112 | GND | GND | - | Digital Ground |
| 83 | GND | GND | - | Analog Ground |

Table 5-2. Pin Description of LPC Bus Interface Signals

| Pin(s) No. | Symbol | Attribute | Power | Description |
|------------|----------|-----------|-------|---|
| 34 | LRESET# | DI | AVCC3 | LPC RESET # EC block will not be reset by LRESET#, which is controlled by AVCC3 PWRGD. |
| 35 | LDRQ# | DO8 | AVCC3 | LPC DMA Request # This is an encoded signal for DMA channel select. |
| 36 | SERIRQ | DIO16 | AVCC3 | Serial IRQ |
| 37 | LFRAME# | DI | AVCC3 | LPC Frame # This signal indicates the start of the LPC cycle. |
| 38-41 | LAD[0:3] | DIO16 | AVCC3 | LPC Address / Data 0-3 4-bit LPC address/bi-directional data lines. LAD0 is LSB and LAD3 is MSB. |
| 44 | PCICLK | DI | AVCC3 | PCI Clock 33 MHz PCI clock input for LPC I/F and SERIRQ. |
| 70 | PME# | DOD8 | 3VSB | Power Management Event # The first function of this pin is Power Management Event #. It supports the PCI PME# interface. This signal allows the peripheral to request the system to wake up from the D3 (cold) state. |
| | GP54 | DIOD8 | 3VSB | General Purpose I/O 54 The second function of this pin is General Purpose I/O Port 5 Bit 4. |

Table 5-3. Pin Description of Hardware Monitor Signals

| Pin(s) No. | Symbol | Attribute | Power | Description |
|------------|--------------------|-----------|-------|--|
| 93 | VIN0 | AI | AVCC3 | Voltage Analog Input 0 The first function of this pin is 0 to 3.072V FSR Analog Input. |
| 92 | VIN1 | AI | AVCC3 | Voltage Analog Input 1 The first function of this pin is 0 to 3.072V FSR Analog Input. |
| 91 | VIN2 (+12V_SEN) | AI | AVCC3 | Voltage Analog Input 2 (+12V power detector) The function of this pin is 0 to 3.072V FSR Analog Input. Besides, it is the power detector for PWRGD1/2/3. Please refer to section 11.11 PWRGD1, PWRGD2, PWRGD3 on page 167 for the detail. |
| 90 | VIN3 (+5V_SEN) | AI | AVCC3 | Voltage Analog Input 3 (+5V power detector) The function of this pin is 0 to 3.072V FSR Analog Input. Besides, it is the power detector for PWRGD1/2/3. Please refer to section 11.11 PWRGD1, PWRGD2, PWRGD3 on page 167 for the detail. |
| 89 | VIN4 | AI | AVCC3 | Voltage Analog Input 4 The first function of this pin is 0 to 3.072V FSR Analog Input. |
| | 5VDUAL | AI | AVCC3 | System 5VDUAL Monitor The second function of this pin is analog input for system 5VDUAL Monitor. When the voltage drops below 0.7V, the 5VDUAL monitor circuit will assert SUSACK#. The function configuration of the pin is determined by the power-on strapping option (JP1=0) |
| 88 | VREF | AO | AVCC3 | Reference Voltage Output (2.8V) Regulated and referred voltage for external temperature sensors and negative voltage monitors. |
| 87-85 | TMPIN[1:3] | AI | AVCC3 | External Thermal Inputs [1:3] These pins are connected to thermistors [1:3] or thermal temperature sensors. |
| 84 | TS_D- | AI | AVCC3 | Thermal Diode Negative Input |
| 2 | FAN_TAC1 | DI | AVCC3 | Fan Tachometer Input 1 The function of this pin is Fan Tachometer Input 1, 0 to +5V amplitude fan tachometer input. |
| 4 | FAN_TAC2 | DI | AVCC3 | Fan Tachometer Input 2 The first function of this pin is Fan Tachometer Input 2, 0 to +5V amplitude fan tachometer input. |
| | GP52 | DIOD8 | AVCC3 | General Purpose I/O 52 The second function of this pin is General Purpose I/O Port 5 Bit 2. |
| 6 | FAN_TAC3 | DI | AVCC3 | Fan Tachometer Input 3 The first function of this pin is Fan Tachometer Input 3, 0 to +5V amplitude fan tachometer input. |
| | GP37 | DIOD8 | AVCC3 | General Purpose I/O 37 The second function of this pin is General Purpose I/O Port 3 Bit 7. |
| 12 | ATXPG | DI | AVCC3 | ATX Power Good The first function of this pin is ATX Power Good. For PWRGD1/2/3 signal, it is (AVCC3 power-level-detect AND SUSB# AND VIN2(+12V_SEN) AND VIN3(+5V_SEN) AND ATXPG). Please refer to section 11.11 PWRGD1, PWRGD2, PWRGD3 on page 167 for the detail. |
| | GP30 | DIOD8 | AVCC3 | General Purpose I/O 30 The second function of this pin is General Purpose I/O Port 3 Bit 0. |

| Pin(s) No. | Symbol | Attribute | Power | Description |
|------------|----------|-----------|--------------|--|
| 31 | PECI | PECI | AVCC3 | PECI (for 1.05V I/F) The first function of this pin is Peci. Specifically when External Thermal Sensor Host (SST, Peci, AMDTSI, PCH SM-Link) is enabled (bit 6-4 of EC Index 0Ah), this pin is selected as Peci or ETS_CLK. |
| | AMDTSI_C | DIOD24 | AVCC3 | AMDTSI I/F Clock Pin The second function of this pin is AMDTSI I/F Clock. |
| 65 | COPEN# | DIOD8 | 3VSB or VBAT | Case Open Detection # The Case Open Detection is connected to a specially designed low power CMOS flip-flop dual-powered by battery or 3VSB for case open state preservation during power loss. |

Table 5-4. Pin Description of Fan Controller Signals

| Pin(s) No. | Symbol | Attribute | Power | Description |
|------------|----------|-----------|-------|---|
| 3 | FAN_CTL1 | DOD8 | AVCC3 | Fan Control Output 1 The function of this pin is Fan Control Output 1. (PWM output signal to Fan's FET.) |
| 5 | FAN_CTL2 | DOD8 | AVCC3 | Fan Control Output 2 The first function of this pin is Fan Control Output 2. (PWM output signal to Fan's FET.) |
| | GP51 | DIOD8 | AVCC3 | General Purpose I/O 51 The second function of this pin is General Purpose I/O Port 5 Bit 1. |
| 7 | FAN_CTL3 | DOD8 | AVCC3 | Fan Control Output 3 The first function of this pin is Fan Control Output 3. (PWM output signal to Fan's FET.) |
| | GP36 | DIOD8 | AVCC3 | General Purpose I/O 36 The second function of this pin is General Purpose I/O Port 3 Bit 6. |
| 11 | PWRGD2 | DOD8 | AVCC3 | Power Good Output 2 with 50ms Delay Time The function of this pin is Power Good Output 2. For PWRGD1/2/3 signal, it is (<u>AVCC3 power-level-detect AND SUSB# AND VIN2(+12V SEN) AND VIN3(+5V SEN) AND ATXPG</u>). Please refer to section 11.11 PWRGD1, PWRGD2, PWRGD3 on page 167 for the detail. |
| | FAN_CTL4 | DOD8 | AVCC3 | Fan Control Output 4 The function of this symbol is Fan Control Output 4. (PWM output signal to Fan's FET.) |
| | PCH_C0 | DIOD8 | AVCC3 | PCH SM-Link Set 0 Clock Pin The function of this symbol is PCH SM-Link Clock. |
| 127 | DTR6# | DO8 | AVCC3 | Data Terminal Ready 6 # DTR# is used to indicate to the MODEM or data set that the device is ready to exchange data. DTR# is activated by setting the appropriate bit in the MCR register to 1. After a Master Reset operation or during Loop mode, DTR# is set to its inactive state. |
| | FAN_CTL5 | DOD8 | AVCC3 | Fan Control Output 5 The function of this symbol is Fan Control Output 5. (PWM output signal to Fan's FET.) |
| | GP16 | DIOD8 | AVCC3 | General Purpose I/O 16 The function of this symbol is General Purpose I/O Port 1 Bit 6. |

Table 5-5. Pin Description of Infrared Port Signals

| Pin(s) No. | Symbol | Attribute | Power | Description |
|------------|----------|-----------|-------|--|
| 24 | CIRTX | DO8 | AVCC3 | Consumer Infrared Transmit Output 1 The function of this pin is Consumer Infrared Transmit Output 1. |
| | DTR3# | DO8 | AVCC3 | Data Terminal Ready 1 # DTR# is used to indicate to the MODEM or data set that the device is ready to exchange data. DTR# is activated by setting the appropriate bit in the MCR register to 1. After a Master Reset operation or during Loop mode, DTR# is set to its inactive state. |
| 81 | CIRRX1 | DI | 3VSB | Consumer Infrared Receive Input 1 The function of this symbol is Consumer Infrared Receive Input 1. |
| | SLP_SUS# | DI | 3VSB | Deep Sleep Indication From CPT PCH, when asserted low, this signal indicates PCH is in the deep sleep state. The function configuration of this pin is determined by the power-on strapping option (JP1=0). |
| | GP10 | DIOD8 | 3VSB | General Purpose I/O 10 The function of this symbol is General Purpose I/O Port 1 Bit 0. |
| 61 | CIRRX2 | DI | 3VSB | Consumer Infrared Receive Input 2 The function of this symbol is Consumer Infrared Receive Input 2. |
| | DSR5# | DI | AVCC3 | Data Set Ready 5 # When this signal is low, it indicates that the MODEM or data set is ready to establish a communications link. The DSR# signal is a MODEM status input whose condition can be tested by reading the MSR register. |
| | GP46 | DIOD8 | 3VSB | General Purpose I/O 46 The third function of this pin is General Purpose I/O Port 4 Bit 6. |

Table 5-6. Pin Description of Serial Port 1 Signals

| Pin(s) No. | Symbol | Attribute | Power | Description |
|------------|--------|-----------|-------|--|
| 119 | RI1# | DI | 3VSB | Ring Indicator 1 # When this signal is low, it indicates that a telephone ring signal has been received by the MODEM. The RI# signal is a MODEM status input whose condition can be tested by reading the MSR register. |
| 118 | DCD1# | DI | AVCC3 | Data Carrier Detect 1 # When this signal is low, it indicates that the MODEM or data set has detected a carrier. The DCD# signal is a MODEM status input whose condition can be tested by reading the MSR register. |
| 121 | DTR1# | DO8 | AVCC3 | Data Terminal Ready 1 # DTR# is used to indicate to the MODEM or data set that the device is ready to exchange data. DTR# is activated by setting the appropriate bit in the MCR register to 1. After a Master Reset operation or during Loop mode, DTR# is set to its inactive state. For the power-on strapping option, please refer to Table 7-1. Power On Strapping Options on page 35. |
| | JP4 | DI | AVCC3 | Power-On Strapping 4 For the power-on strapping option, please refer to Table 7-1. Power On Strapping Options on page 35. |
| 125 | SIN1 | DI | AVCC3 | Serial Data Input 1 This input receives serial data from the communications link. |
| 124 | SOUT1 | DO8 | AVCC3 | Serial Data Output 1 This output sends serial data to the communications link. This signal is set to a marking state (logic 1) after a Master Reset operation or when the device is in one of the Infrared communications modes. For the power-on strapping option, please refer to Table 7-1. Power On Strapping Options on page 35. |
| | JP3 | DI | AVCC3 | Power-On Strapping 3 For the power-on strapping option, please refer to Table 7-1. Power On Strapping Options on page 35. |
| 123 | DSR1# | DI | AVCC3 | Data Set Ready 1 # When this signal is low, it indicates that the MODEM or data set is ready to establish a communications link. The DSR# signal is a MODEM status input whose condition can be tested by reading the MSR register. |
| | GP45 | DIOD8 | 3VSB | General Purpose I/O 45 The second function of this pin is General Purpose I/O Port 4 Bit 5. |

| Pin(s) No. | Symbol | Attribute | Power | Description |
|------------|--------|-----------|-------|---|
| 122 | RTS1# | DO8 | AVCC3 | Request to Send 1 # When this signal is low, the output indicates to the MODEM or data set that the device is ready to send data. RTS# is activated by setting the appropriate bit in the MCR register to 1. After a Master Reset operation or during Loop mode, RTS# is set to its inactive state. For the power-on strapping option, please refer to Table 7-1. Power On Strapping Options on page 35. |
| | JP2 | DI | AVCC3 | Power-On Strapping 2 For the power-on strapping option, please refer to Table 7-1. Power On Strapping Options on page 35. |
| 120 | CTS1# | DI | AVCC3 | Clear to Send 1 # When this signal is low, it indicates that the MODEM or data set is ready to accept data. The CTS# signal is a MODEM status input whose condition can be tested by reading the MSR register. |
| | GP31 | DIOD8 | AVCC3 | General Purpose I/O 31 The second function of this pin is General Purpose I/O Port 3 Bit 1. |

Table 5-7. Pin Description of Serial Port 2 Signals

| Pin(s) No. | Symbol | Attribute | Power | Description |
|------------|--------|-----------|-------|--|
| 14 | RI2# | DI | 3VSB | Ring Indicator 2 # When this signal is low, it indicates that a telephone ring signal has been received by the MODEM. The RI# signal is a MODEM status input whose condition can be tested by reading the MSR register. |
| | GP17 | DIOD8 | AVCC3 | General Purpose I/O 17 The second function of this pin is General Purpose I/O Port 3 Bit 2. |
| 13 | DCD2# | DI | AVCC3 | Data Carrier Detect 2 # When this signal is low, it indicates that the MODEM or data set has detected a carrier. The DCD# signal is a MODEM status input whose condition can be tested by reading the MSR register. |
| | GP21 | DIOD8 | 3VSB | General Purpose I/O 21 The second function of this pin is General Purpose I/O Port 3 Bit 3. |
| 16 | DTR2# | DO8 | AVCC3 | Data Terminal Ready 2 # DTR# is used to indicate to the MODEM or data set that the device is ready to exchange data. DTR# is activated by setting the appropriate bit in the MCR register to 1. After a Master Reset operation or during Loop mode, DTR# is set to its inactive state. For the power-on strapping option, please refer to Table 7-1. Power On Strapping Options on page 35. |
| 20 | SIN2 | DI | AVCC3 | Serial Data Input 2 This input receives serial data from the communications link. |
| 19 | SOUT2 | DO8 | AVCC3 | Serial Data Output 2 This output sends serial data to the communications link. This signal is set to a marking state (logic 1) after a Master Reset operation or when the device is in one of the Infrared communications modes. For the power-on strapping option, please refer to Table 7-1. Power On Strapping Options on page 35. |

| Pin(s) No. | Symbol | Attribute | Power | Description |
|------------|--------|-----------|-------|---|
| 18 | DSR2# | DI | AVCC3 | Data Set Ready 2 # When this signal is low, it indicates that the MODEM or data set is ready to establish a communications link. The DSR# signal is a MODEM status input whose condition can be tested by reading the MSR register. |
| | GP25 | DIOD8 | 3VSB | General Purpose I/O 25 The second function of this pin is General Purpose I/O Port 2 Bit 5. |
| 17 | RTS2# | DO8 | 3VSB | Request to Send 2 # When this signal is low, the output indicates to the MODEM or data set that the device is ready to send data. RTS# is activated by setting the appropriate bit in the MCR register to 1. After a Master Reset operation or during Loop mode, RTS# is set to its inactive state. For the power-on strapping option, please refer to Table 7-1. Power On Strapping Options on page 35. |
| | GP24 | DIOD8 | AVCC3 | General Purpose I/O 24 The second function of this pin is General Purpose I/O Port 2 Bit 4. |
| 15 | CTS2# | DI | AVCC3 | Clear to Send 2 # When this signal is low, it indicates that the MODEM or data set is ready to accept data. The CTS# signal is a MODEM status input whose condition can be tested by reading the MSR register. |
| | GP20 | DIOD8 | 3VSB | General Purpose I/O 20 The second function of this pin is General Purpose I/O Port 2 Bit 0. |

Table 5-8. Pin Description of Serial Port 3 Signals

| Pin(s) No. | Symbol | Attribute | Power | Description |
|------------|--------|-----------|-------|--|
| 22 | RI3# | DI | 3VSB | Ring Indicator 3 # When this signal is low, it indicates that a telephone ring signal has been received by the MODEM. The RI# signal is a MODEM status input whose condition can be tested by reading the MSR register. |
| | GP14 | DIOD8 | AVCC3 | General Purpose I/O 14 The second function of this pin is General Purpose I/O Port 1 Bit 4. |
| 21 | DCD3# | DI | 3VSB | Data Carrier Detect 3 # When this signal is low, it indicates that the MODEM or data set has detected a carrier. The DCD# signal is a MODEM status input whose condition can be tested by reading the MSR register. |
| | GP63 | DIOD8 | AVCC3 | General Purpose I/O 63 The second function of this pin is General Purpose I/O Port 6 Bit 3. |
| 28 | SIN3 | DI | AVCC3 | Serial Data Input 3 This input receives serial data from the communications link. |
| 27 | SOUT3 | DO8 | AVCC3 | Serial Data Output 3 This output sends serial data to the communications link. This signal is set to a marking state (logic 1) after a Master Reset operation or when the device is in one of the Infrared communications modes. For the power-on strapping option, please refer to Table 7-1. Power On Strapping Options on page 35. |

| Pin(s) No. | Symbol | Attribute | Power | Description |
|------------|--------|-----------|-------|---|
| 26 | DSR3# | DI | AVCC3 | Data Set Ready 3# When this signal is low, it indicates that the MODEM or data set is ready to establish a communications link. The DSR# signal is a MODEM status input whose condition can be tested by reading the MSR register. |
| | GP34 | DIOD8 | AVCC3 | General Purpose I/O 34 The second function of this pin is General Purpose I/O Port 3 Bit 4 |
| 25 | RTS3# | DO8 | AVCC3 | Request to Send 3 # When this signal is low, the output indicates to the MODEM or data set that the device is ready to send data. RTS# is activated by setting the appropriate bit in the MCR register to 1. After a Master Reset operation or during Loop mode, RTS# is set to its inactive state. For the power-on strapping option, please refer to Table 7-1. Power On Strapping Options on page 35. |
| 23 | CTS3# | DI | AVCC3 | Clear to Send 3 # When this signal is low, it indicates that the MODEM or data set is ready to accept data. The CTS# signal is a MODEM status input whose condition can be tested by reading the MSR register. |
| | GP13 | DIOD8 | AVCC3 | General Purpose I/O 13 The second function of this pin is General Purpose I/O Port 1 Bit 3. |

Table 5-9. Pin Description of Serial Port 4 Signals

| Pin(s) No. | Symbol | Attribute | Power | Description |
|------------|-----------|-----------|-------|--|
| 49 | RI4# | DI | 3VSB | Ring Indicator 4# When this signal is low, it indicates that a telephone ring signal has been received by the MODEM. The RI# signal is a MODEM status input whose condition can be tested by reading the MSR register. |
| | SMB_SL_D1 | DIOD8 | AVCC3 | SMBusSlave Date Pin 1 The second function is SMBus slave data pin 1. Through SMBus slave function, the user just could access EC registers. |
| 48 | DCD4# | DI | AVCC3 | Data Carrier Detect 4 # When this signal is low, it indicates that the MODEM or data set has detected a carrier. The DCD# signal is a MODEM status input whose condition can be tested by reading the MSR register. |
| | GP66 | DIOD8 | 3VSB | General Purpose I/O 66 The second function of this pin is General Purpose I/O Port 6 Bit 6. |
| 51 | DTR4# | DO8 | AVCC3 | Data Terminal Ready 4 # DTR# is used to indicate to the MODEM or data set that the device is ready to exchange data. DTR# is activated by setting the appropriate bit in the MCR register to 1. After a Master Reset operation or during Loop mode, DTR# is set to its inactive state. For the power-on strapping option, please refer to Table 7-1. Power On Strapping Options on page 35. |
| 55 | SIN4 | DI | AVCC3 | Serial Data Input 4 This input receives serial data from the communications link. |

| Pin(s) No. | Symbol | Attribute | Power | Description |
|------------|--------|-----------|-------|---|
| 54 | SOUT4 | DO8 | AVCC3 | Serial Data Output 4 This output sends serial data to the communications link. This signal is set to a marking state (logic 1) after a Master Reset operation or when the device is in one of the Infrared communications modes. For the power-on strapping option, please refer to Table 7-1. Power On Strapping Options on page 35. |
| 53 | DSR4# | DI | AVCC3 | Data Set Ready 4 # When this signal is low, it indicates that the MODEM or data set is ready to establish a communications link. The DSR# signal is a MODEM status input whose condition can be tested by reading the MSR register. |
| 52 | RTS4# | DO8 | AVCC3 | Request to Send 4 # When this signal is low, the output indicates to the MODEM or data set that the device is ready to send data. RTS# is activated by setting the appropriate bit in the MCR register to 1. After a Master Reset operation or during Loop mode, RTS# is set to its inactive state. For the power-on strapping option, please refer to Table 7-1. Power On Strapping Options on page 35. |
| 50 | CTS4# | DI | AVCC3 | Clear to Send 4 # When this signal is low, it indicates that the MODEM or data set is ready to accept data. The CTS# signal is a MODEM status input whose condition can be tested by reading the MSR register. |

Table 5-10. Pin Description of Serial Port 5 Signals

| Pin(s) No. | Symbol | Attribute | Power | Description |
|------------|-----------|-----------|-------|---|
| 57 | RI5# | DI | 3VSB | Ring Indicator 5 # When this signal is low, it indicates that a telephone ring signal has been received by the MODEM. The RI# signal is a MODEM status input whose condition can be tested by reading the MSR register. |
| | PCH_C1 | DOD8 | AVCC3 | PCH SM-Link Clock 1 Pin The second function of this pin is PCH SM-Link Clock. |
| | GP65 | DIOD8 | AVCC3 | General Purpose I/O 65 The function of this symbol is General Purpose I/O Port 6 Bit 5. |
| 56 | DCD5# | DI | AVCC3 | Data Carrier Detect 5 # When this signal is low, it indicates that the MODEM or data set has detected a carrier. The DCD# signal is a MODEM status input whose condition can be tested by reading the MSR register. |
| | SMB_SL_C1 | DI | AVCC3 | SMBusSlave Clock Pin 1 The second function is SMBus slave clock pin 1. Through SMBus slave function, the user just could access EC registers. |
| | GP41 | DIOD8 | 3VSB | General Purpose I/O 41 The third function of this pin is General Purpose I/O Port 4 Bit 1. |

| Pin(s) No. | Symbol | Attribute | Power | Description |
|------------|--------|-----------|-------|--|
| 59 | DTR5# | DO8 | AVCC3 | Data Terminal Ready 5 # DTR# is used to indicate to the MODEM or data set that the device is ready to exchange data. DTR# is activated by setting the appropriate bit in the MCR register to 1. After a Master Reset operation or during Loop mode, DTR# is set to its inactive state. For the power-on strapping option, please refer to Table 7-1. Power On Strapping Options on page 35. |
| | GP11 | DIOD8 | AVCC3 | General Purpose I/O 11 The second function of this pin is General Purpose I/O Port 1 Bit 1. |
| 67 | SIN5 | DI | AVCC3 | Serial Data Input 5 This input receives serial data from the communications link. |
| | GP35 | DIOD8 | AVCC3 | General Purpose I/O 35 The second function of this pin is General Purpose I/O Port 3 Bit 5. |
| 62 | SOUT5 | DO8 | AVCC3 | Serial Data Output 5 This output sends serial data to the communications link. This signal is set to a marking state (logic 1) after a Master Reset operation or when the device is in one of the Infrared communications modes. For the power-on strapping option, please refer to Table 7-1. Power On Strapping Options on page 35. |
| | GPO22 | DO8 | AVCC3 | General Purpose DO 22 The second function of this pin is General Purpose DO Port 2 Bit 2. |
| | JP6 | DI | AVCC3 | Power-On Strapping 6 For the power-on strapping option, please refer to Table 7-1. Power On Strapping Options on page 35. |
| 60 | RTS5# | DO8 | AVCC3 | Request to Send 5# When this signal is low, the output indicates to the MODEM or data set that the device is ready to send data. RTS# is activated by setting the appropriate bit in the MCR register to 1. After a Master Reset operation or during Loop mode, RTS# is set to its inactive state. For the power-on strapping option, please refer to Table 7-1. Power On Strapping Options on page 35. |
| | GPO26 | DO8 | AVCC3 | General Purpose DO 26 The second function of this pin is General Purpose DO Port 2 Bit 6. |
| | JP1 | DI | AVCC3 | Power-On Strapping 1 For the power-on strapping option, please refer to Table 7-1. Power On Strapping Options on page 35. |
| 58 | CTS5# | DI | AVCC3 | Clear to Send 5 # When this signal is low, it indicates that the MODEM or data set is ready to accept data. The CTS# signal is a MODEM status input whose condition can be tested by reading the MSR register. |
| | GP64 | DIOD8 | AVCC3 | General Purpose I/O 64 The second function of this pin is General Purpose I/O Port 6 Bit 4. |

Table 5-11. Pin Description of Serial Port 6 Signals

| Pin(s) No. | Symbol | Attribute | Power | Description |
|------------|----------|-----------|-------|--|
| 128 | RI6# | DI | 3VSB | Ring Indicator 6 # When this signal is low, it indicates that a telephone ring signal has been received by the MODEM. The RI# signal is a MODEM status input whose condition can be tested by reading the MSR register. |
| | FAN_TAC5 | DI | AVCC3 | Fan Tachometer Input 5 The function of this symbol is Fan Tachometer Input 2, 0 to +5V amplitude fan tachometer input. |
| | GP15 | DIOD8 | AVCC3 | General Purpose I/O 15 The function of this symbol is General Purpose I/O Port 1 Bit 5. |
| 113 | DCD6# | DI | AVCC3 | Data Carrier Detect 6 # When this signal is low, it indicates that the MODEM or data set has detected a carrier. The DCD# signal is a MODEM status input whose condition can be tested by reading the MSR register. |
| | GP67 | DIOD8 | 3VSB | General Purpose I/O 67 The second function of this pin is General Purpose I/O Port 6 Bit 7. |
| 126 | SIN6 | DI | AVCC3 | Serial Data Input 6 This input receives serial data from the communications link. |
| | GP27 | DIOD8 | 3VSB | General Purpose I/O 27 The second function of this pin is General Purpose I/O Port 2 Bit 7. |
| 117 | SOUT6 | DO8 | AVCC3 | Serial Data Output 6 This output sends serial data to the communications link. This signal is set to a marking state (logic 1) after a Master Reset operation or when the device is in one of the Infrared communications modes. For the power-on strapping option, please refer to Table 7-1. Power On Strapping Options on page 35. |
| | GP32 | DIOD8 | AVCC3 | General Purpose I/O 32 The second function of this pin is General Purpose I/O Port 3 Bit 2. |
| 116 | DSR6# | DI | AVCC3 | Data Set Ready 6 # When this signal is low, it indicates that the MODEM or data set is ready to establish a communications link. The DSR# signal is a MODEM status input whose condition can be tested by reading the MSR register. |
| | GP47 | DIOD8 | AVCC3 | General Purpose I/O 47 The second function of this pin is General Purpose I/O Port 4 Bit 7. |
| 115 | RTS6# | DO8 | AVCC3 | Request to Send 6 # When this signal is low, the output indicates to the MODEM or data set that the device is ready to send data. RTS# is activated by setting the appropriate bit in the MCR register to 1. After a Master Reset operation or during Loop mode, RTS# is set to its inactive state. For the power-on strapping option, please refer to Table 7-1. Power On Strapping Options on page 35. |
| | GP50 | DIOD8 | AVCC3 | General Purpose I/O 50 The second function of this pin is General Purpose I/O Port 5 Bit 0. |

| Pin(s) No. | Symbol | Attribute | Power | Description |
|------------|--------|-----------|-------|--|
| 114 | CTS6# | DI | AVCC3 | Clear to Send 6 # When this signal is low, it indicates that the MODEM or data set is ready to accept data. The CTS# signal is a MODEM status input whose condition can be tested by reading the MSR register. |
| | GP33 | DIOD8 | AVCC3 | General Purpose I/O 33 The second function of this pin is General Purpose I/O Port 3 Bit 3. |

Table 5-12. Pin Description of Parallel Port Signals

| Pin(s) No. | Symbol | Attribute | Power | Description |
|------------|--------|-----------|-------|--|
| 95 | SLCT | DI | AVCC3 | Printer Select The first function of this pin is Printer Select. This signal goes high when the line printer has been selected. |
| | GP80 | DIOD24 | 3VSB | General Purpose I/O 80 The second General Purpose I/O 80function of this pin is General Purpose I/O Port 8 Bit 0. The function will be SLTC if LDN3 (parallel port) is enabled; otherwise, GP80. |
| 96 | PE | DI | AVCC3 | Printer Paper End The first function of this pin is Printer Paper End. This signal is set high by the printer when it runs out of paper. |
| | GP81 | DIOD8 | 3VSB | General Purpose I/O 81 The second function of this pin is General Purpose I/O Port 8 Bit 1. The function will be PE if LDN3 (parallel port) is enabled; otherwise, GP81. |
| 97 | BUSY | DI | AVCC3 | Printer Busy The first function of this pin is Printer Busy. This signal goes high when the line printer has a local operation in progress and cannot accept any data. |
| | GP82 | DIOD8 | 3VSB | General Purpose I/O 82 The second function of this pin is General Purpose I/O Port 8 Bit 2. The function will be BUSY when LDN3 (parallel port) is enabled; otherwise, GP82. |
| 98 | ACK# | DI | AVCC3 | Printer Acknowledge # The first function of this pin is Printer Acknowledge #. This signal goes low to indicate that the printer has already received a character and is ready to accept another one. |
| | GP83 | DIOD8 | 3VSB | General Purpose I/O 83 The second function of this pin is General Purpose I/O Port 8 Bit 3. The function will be ACK# if LDN3 (parallel port) is enabled; otherwise, GP83. |
| 99 | SLIN# | DIO24 | AVCC3 | Printer Select Input # The function of this symbol is Printer Select Input #. When this signal is low, the printer is selected and it is derived from the complement of bit 3 of Control Port Register (Base Address 1 + 02h) (refer to page 133). |
| | GP84 | DIOD24 | 3VSB | General Purpose I/O 84 The function of this symbol is General Purpose I/O Port 8 Bit 4. The function will be SLIN# if LDN3 (parallel port) is enabled; otherwise, GP84. |

| Pin(s) No. | Symbol | Attribute | Power | Description |
|------------|----------|-----------|-------|--|
| 100 | INIT# | DIO24 | AVCC3 | Printer Initialize # The function of this symbol is Printer Initialize #. When this signal is low, the printer is selected and it is derived from the complement of bit 2 of Control Port Register (Base Address 1 + 02h) (refer to page 133). |
| | GP85 | DIOD24 | 3VSB | General Purpose I/O 85 The function of this symbol is General Purpose I/O Port 8 Bit 5. The function will be INIT# if LDN3 (parallel port) is enabled; otherwise, GP85. |
| 101 | ERR# | DI | AVCC3 | Printer Error # The function of this pin is Printer Error #, which will be configured by programming the software configuration registers (LDN3 (parallel port) enabled). When this signal is low, it indicates that the printer has encountered an error and the error message can be read from bit 3 of Status Port Register (Base Address 1 + 01h) (refer to page 133). |
| 102 | AFD# | DIO24 | AVCC3 | Printer Auto Line Feed # The function of this symbol is Printer Auto Line Feed #. When this signal is low, it is derived from the complement of bit 1 of Control Port Register (Base Address 1 + 02h) (refer to page 133) and is used to advance one line after each line is printed. |
| | GP86 | DIOD24 | 3VSB | General Purpose I/O 86 The function of this symbol is General Purpose I/O Port 8 Bit 6. The function will be AFD# if LDN3 (parallel port) is enabled; otherwise, GP86. |
| 103 | STB# | DI | AVCC3 | Printer Strobe # The function of this symbol is Printer Strobe. When this signal is low, it is the complement of bit 0 of Control Port Register (Base Address 1 + 02h) (refer to page 133) and is used to strobe the printing data into the printer. |
| | GP87 | DIOD24 | 3VSB | General Purpose I/O 87 The function of this symbol is General Purpose I/O Port 8 Bit 7. The function will be STB# if LDN3 (parallel port) is enabled; otherwise, GP87. |
| 104-105 | PD[0:1] | DIO24 | AVCC3 | Parallel Port Data [0:1] The first function of these pins is Parallel Port Data [0:1]. This bus provides a byte-wide input or output to the system. The eight lines are held in a high impedance state when the port is deselected. |
| | GP7[0:1] | DIOD24 | 3VSB | General Purpose I/O 7 [0:1] The second function of these pins is General Purpose I/O Port 0-1. The function will be PD[0:1] if LDN3 (parallel port) is enabled; otherwise, GP7[0:1]. |
| 106-108 | PD[2:4] | DI | AVCC3 | Parallel Port Data [2:4] The function of this symbol is Parallel Port Data [2:4]. This bus provides a byte-wide input or output to the system. The eight lines are held in a high impedance state when the port is deselected. |
| | GP7[2:4] | DIOD24 | 3VSB | General Purpose I/O 7 [2:4] The function of this symbol is General Purpose I/O Port 2-4. The function will be PD[2:4] if LDN3 (parallel port) is enabled; otherwise, GP7[2:4]. |

| Pin(s) No. | Symbol | Attribute | Power | Description |
|------------|----------|-----------|-------|--|
| 109-111 | PD[5:7] | DI | AVCC3 | Parallel Port Data [5:7] The function of this symbol is Parallel Port Data [5:7]. This bus provides a byte-wide input or output to the system. The eight lines are held in a high impedance state when the port is deselected. |
| | GP7[5:7] | DIOD24 | 3VSB | General Purpose I/O 7[5:7] The function of this symbol is General Purpose I/O Port 5-7. The function will be PD[5:7] if LDN3 (parallel port) is enabled; otherwise, GP7[5:7]. |

Table 5-13. Pin Description of Keyboard Controller Signals

| Pin(s) No. | Symbol | Attribute | Power | Description |
|------------|--------|-----------|-------|--|
| 77 | KDAT | DIOD24 | 3VSB | Keyboard Data The first function of this pin is Keyboard Data. |
| | GP61 | DIOD24 | AVCC3 | General Purpose I/O 61 The second function of this pin is General Purpose I/O Port 6 Bit 1. This set supports Simple I/O function only. This pin doesn't support internal pull-up. |
| 78 | KCLK | DIOD24 | 3VSB | Keyboard Clock The first function of this pin is Keyboard Clock. |
| | GP60 | DIOD24 | AVCC3 | General Purpose I/O 60 The second function of this pin is General Purpose I/O Port 6 Bit 0. This set supports Simple I/O function only. This pin doesn't support internal pull-up. |
| 79 | MDAT | DIOD24 | 3VSB | PS/2 Mouse Data The first function of this pin is PS/2 Mouse Data. |
| | GP57 | DIOD24 | AVCC3 | General Purpose I/O 57 The second function of this pin is General Purpose I/O Port 5 Bit 7. This pin doesn't support internal pull-up. |
| 80 | MCLK | DIOD24 | 3VSB | PS/2 Mouse Clock The first function of this pin is PS/2 Mouse Clock. |
| | GP56 | DIOD24 | AVCC3 | General Purpose I/O 56 The second function of this pin is General Purpose I/O Port 5 Bit 6. This pin doesn't support internal pull-up. |
| 42 | KRST# | DO8 | AVCC3 | Keyboard Reset # The first function of this pin is Keyboard Reset #. |
| | GP62 | DIOD8 | AVCC3 | General Purpose I/O 62 The second function of this pin is General Purpose I/O Port 6 Bit 2. This set supports Simple I/O function only. |
| 43 | GA20 | DO8 | AVCC3 | Gate Address 20 |

Table 5-14. DSW (Deep Sleep Well) Signals

| Pin(s) No. | Symbol | Attribute | Power | Description |
|------------|------------|-----------|-------|--|
| 10 | 5VSB_CTRL# | DOD8 | 3VSB | 5VSB_CTRL# Power Control Signal Please refer to section 11.12 Energy-using Product (EuP) Power Control Signal Timings on page 169 for the detail. The function configuration of this pin is determined by the power-on strapping option (JP1=1). |
| | PCH_D0 | DIOD8 | AVCC3 | PCH SM-Link Set 0 Data Pin The second function of this pin is PCH SM-Link Data. |
| 8 | DPWROK | DOD8 | 3VSB | 3VSB Power OK Output The first function of this pin is 3VSB Power OK output. The function configuration of this pin is determined by the power-on strapping option (JP1=0). |
| | FAN_TAC4 | DI | AVCC3 | Fan Tachometer Input 4 The function of this pin is Fan Tachometer Input 4, 0 to +5V amplitude fan tachometer input. |
| | GP23 | DIOD8 | 3VSB | General Purpose I/O 23 The third function of this pin is General Purpose I/O Port 2 Bit 3. |
| 29 | SUSACK# | DOD8 | 3VSB | SUSACK# The first function of this pin is SUSACK# output. When 5VDUAL pin drops below 0.7V. SIO will issue SUSACK# to PCH. The function configuration of this pin is determined by the power-on strapping option (JP1=0). |
| | PWRGD1 | DOD8 | AVCC3 | Power Good Output 1 with 30ms Delay Time The function of this pin is Power Good Output 1. For PWRGD1/2/3 signal, it is (AVCC3 power-level-detect AND SUSB# AND VIN2(+12V_SEN) AND VIN3(+5V_SEN) AND ATXPG). Please refer to section 11.11 PWRGD1, PWRGD2, PWRGD3 on page 167 for the detail. |
| 47 | SUSWARN# | DI | 3VSB | SUSWARN# The first function of this pin is a signal form CPT PCH, When this signal is low, it indicates PCH is in the deep sleep state. The function configuration of this pin is determined by the power-on strapping option (JP1=0). |
| | SST | SST | AVCC3 | SST The second function of this pin is SST. Specifically when External Thermal Sensor Host (SST, PECl, AMDTSl, PCH SM-Link) is enabled (bit 6-4 of EC Index 0Ah), the function of this pin is selected as SST or ETS_DAT. |
| | AMDTSI_D | DIOD24 | AVCC3 | AMDTSI I/F Data The third function of this pin is AMDTSI I/F Data. |

Table 5-15. Pin Description of Miscellaneous Signals

| Pin(s) No. | Symbol | Attribute | Power | Description |
|------------|-----------|-----------|-------|---|
| 46 | CLKIN | DI | AVCC3 | 24 or 48 MHz Clock Input |
| 69 | PWRON# | DOD8 | 3VSB | Power On Request Output # The first function of this pin is Power On Request Output #. |
| | GP44 | DIOD8 | 3VSB | General Purpose I/O44 The second function of this pin is General Purpose I/O Port 4 Bit 4. |
| 72 | PANSWH# | DI | 3VSB | Main Power Switch Button Input # The first function of this pin is Main Power Switch Button Input #. |
| | GP43 | DIOD8 | 3VSB | General Purpose I/O 43 The second function of this pin is General Purpose I/O Port 4 Bit 3. |
| 73 | PSON# | DOD8 | 3VSB | Power Supply On-Off Output # The first function of this pin is Power Supply On-Off Control Output #. |
| | GP42 | DIOD8 | 3VSB | General Purpose I/O 42 The second function of this pin is General Purpose I/O Port 4 Bit 2. |
| 68 | SUSB# | DI | 3VSB | SUSB # Input The function of this pin is SUSB# Input. |
| 74 | SUSC# | DI | 3VSB | SUSC# Input The first function of this pin is SUSC# Input. |
| | GP53 | DIOD8 | 3VSB | General Purpose I/O 53 The second function of this pin is General Purpose I/O Port 5 Bit 3. |
| 75 | PWRGD3 | DOD8 | 3VSB | Power Good Output 3 with 150ms Delay Time The function of this pin is Power Good Output 3. For PWRGD1/2/3 signal, it is (AVCC3 power-level-detect AND SUSB# AND VIN2(+12V_SEN) AND VIN3(+5V_SEN) AND ATXPG). Please refer to section 11.11 PWRGD1, PWRGD2, PWRGD3 on page 167 for the detail. |
| | SMB_SL_D0 | DIOD8 | AVCC3 | SMBus Slave Data Pin 0 The second function is SMBus Save Data Pin 0. The user just can access EC registers through this function. |
| 76 | 3VSBSW# | DO8 | 3VSB | 3VSBSW# The first function of this pin is 3VSBSW#. |
| | SMB_SL_C0 | DI | AVCC3 | SMBus Slave Clock Pin 0 The second function is SMBus Slave Clock Pin 0. The user just can access EC registers through this function. |
| | GP40 | DIOD8 | 3VSB | General Purpose I/O 40 The function of this symbol is General Purpose I/O Port 4 Bit 0. |
| 30 | PCIRST1# | DO8 | AVCC | PCI Reset 1 # The first function of this pin is PCI Reset 1 #, which is a buffer of LRESET#. |
| | GP12 | DIOD8 | AVCC | General Purpose I/O 12 The second function of this pin is General Purpose I/O Port 1 Bit 2. |
| | PCH_D1 | DIOD8 | AVCC | PCH SM-Link Set 1 Data The function of this symbol is PCH SM-Link Data. |
| 82 | RSMRST# | DOD8 | 3VSB | Resume Reset # The first function of this pin is Resume Reset #. It is a power good signal of SYS_3VSB. |

| Pin(s) No. | Symbol | Attribute | Power | Description |
|------------|-----------------|--------------|-------|---|
| | GP55 | DIOD8 | 3VSB | General Purpose I/O 55 The function of this symbol is General Purpose I/O Port 5 Bit 5. |
| 63 | SYS_3VSB | AI | 3VSB | System 3.3V Standby Power Detector The function of this pin is System Standby Power Detector for RSMRST# output and EuP signal Control. Please refer to Table 7-1. Power On Strapping Options on page 35, Figure 7-1. IT8786E-I EUP Applications Circuitry for Intel ICH on page 36 ,section 11.12 Energy-using Product (EuP) Power Control Signal Timings on page 169 and section 11.13 DSW Timings for the detail. |

IO Cell:

DO8: 8mA Digital Output buffer
 DOD8: 8mA Digital Open-Drain Output buffer
 DO16: 16mA Digital Output buffer
 DO24: 24mA Digital Output buffer
 DO24L: 24mA sink/8mA drive Digital Output buffer

DIO8: 8mA Digital Input/Output buffer
 DIOD8: 8mA Digital Open-Drain Input/Output buffer
 DIO16: 16mA Digital Input/Output buffer
 DIOD16: 16mA Digital Open-Drain Input/Output buffer
 DIO24: 24mA Digital Input/Output buffer
 DIOD24: 24mA Digital Open-Drain Input/Output buffer

DI: Digital Input
 AI: Analog Input
 AO: Analog Output

SST: Special design for SST interface
 PECl: Special design for PECl interface
 IO_SW: Special type of Input/Output; pins of this type connected in pairs through a switch

CONFIDENTIAL

This page is intentionally left blank.

6. List of GPIO Pins
Table 6-1. GPIO Alternate Function

| Group | Bit | Pin Loc. | 1 st Func | Condition | 2 nd Func | Condition | 3 rd Func | Condition | 4 th Func | Condition | Output Driving (mA) | Note | |
|---------|-----|----------|----------------------|-------------------|----------------------|----------------------------|----------------------|-----------|----------------------|-----------|---------------------|------|--|
| GPIO 1x | 0 | 81 | SLP_SUS# (DI) | JP1=0 | CIRRX1 (DI) | | GP10 (DIOD8) | 25h<0>=1 | | | 8mA | | |
| | 1 | 59 | DTR5# (DO8) | | GP11 (DIOD8) | 25h<1>=1 | | | | | 8mA | | |
| | 2 | 30 | PCIRST1# (DO8) | | PCH_D1 (DIOD8) | 2Ah<3>=1; EC index 0A[6]=1 | GP12 (DIOD8) | 25h<2>=1 | | | 8mA | | |
| | 3 | 23 | CTS3# (DI) | 25h<3>=0 | GP13 (DIOD8) | 25h<3>=1 | | | | | 8mA | | |
| | 4 | 22 | RI3# (DI) | 25h<4>=0 | GP14 (DIOD8) | 25h<4>=1 | | | | | 8mA | | |
| | 5 | 128 | RI6# (DI) | | FAN_TAC5 (DI) | | GP15 (DIOD8) | 25h<5>=1 | | | | 8mA | |
| | 6 | 127 | FAN_CTL5 (DOD8) | EC Index 0Bh<3:2> | DTR5# (DO8) | | GP16 (DIOD8) | 25h<6>=1 | | | | 8mA | |
| | 7 | 14 | RI2# (DI) | | GP17 (DIOD8) | 25h<7>=1 | | | | | | 8mA | |
| GP IO2x | 0 | 15 | CTS2# (DI) | 26h<0>=0 | GP20 (DIOD8) | 26h<0>=1 | | | | | 8mA | | |
| | 1 | 13 | DCD2# (DI) | 26h<1>=0 | GP21 (DIOD8) | 26h<1>=1 | | | | | 8mA | | |
| | 2 | 62 | SOUT5 (DO8) | 26h<2>=0 | GPO22 (DO8) | 26h<2>=1 | | | | | 8mA | | |
| | 3 | 8 | DPWROK (DOD8) | JP1=0 | FAN_TAC4 (DI) | | GP23 (DIOD8) | 26h<3>=1 | | | | 8mA | |
| | 4 | 17 | RTS2# (DO8) | 26h<4>=0 | GP24 (DIOD8) | 26h<4>=1 | | | | | 8mA | | |
| | 5 | 18 | DSR2# (DI) | 26h<5>=0 | GP25 (DIOD8) | 26h<5>=1 | | | | | 8mA | | |
| | 6 | 60 | RTS5# (DO8) | 26h<6>=0 | GPO26 (DO8) | 26h<6>=1 | | | | | | 8mA | |

IT8786E-I (For B Version)



| Group | Bit | Pin Loc. | 1 st Func | Condition | 2 nd Func | Condition | 3 rd Func | Condition | 4 th Func | Condition | Output Driving (mA) | Note |
|---------|-----|----------|----------------------|-------------------------|----------------------|------------|----------------------|-----------|----------------------|-----------|---------------------|------|
| | 7 | 126 | SIN6 (DI) | 26h<7>=0 | GP27 (DIOD8) | 26h<7>=1 | | | | | 8mA | |
| GPIO 3x | 0 | 12 | ATXPG (DI) | 27h<0>=0 | GP30 (DIOD8) | 27h<0>=1 | | | | | 8mA | |
| | 1 | 120 | CTS1# (DI) | 27h<1>=0 LDN1 enable | GP31 (DIOD8) | 27h<1>=1 | | | | | 8mA | |
| | 2 | 117 | SOUT6 (DO8) | 27h<2>=0 | GP32 (DIOD8) | 27h<2>=1 | | | | | 8mA | |
| | 3 | 114 | CTS6# (DI) | 27h<3>=0 | GP33 (DIOD8) | 27h<3>=1 | | | | | 8mA | |
| | 4 | 26 | DSR3# (DI) | 27h<4>=0 | GP34 (DIOD8) | 27h<4>=1 | | | | | 8mA | |
| | 5 | 67 | SIN5 (DI) | 27h<5>=0 | GP35 (DIOD8) | 27h<5>=1 | | | | | 8mA | |
| | 6 | 7 | FAN_CTL3 (DOD8) | | GP36 (DIOD8) | 27h<6>=1 | | | | | 8mA | |
| | 7 | 6 | FAN_TAC3 (DI) | | GP37 (DIOD8) | 27h<7>=1 | | | | | 8mA | |
| GP IO4x | 0 | 76 | 3VSBSW# (DO8) | 2Ah<7>=1 | SMB_SL_C0 (DI) | EC F3<1>=1 | GP40 (DIOD8) | 28h<0>=1 | | | 8mA | |
| | 1 | 56 | DCD5# (DI) | 28h<1>=0 LDNB enable | SMB_SL_C1 (DI) | EC F3<2>=1 | GP41 (DIOD8) | 28h<1>=1 | | | 8mA | |
| | 2 | 73 | PSON# (DOD8) | | GP42 (DIOD8) | 28h<2>=1 | | | | | 8mA | |
| | 3 | 72 | PANSWH# (DI) | | GP43 (DIOD8) | 28h<3>=1 | | | | | 8mA | |
| | 4 | 69 | PWRON# (DOD8) | | GP44 (DIOD8) | 28h<4>=1 | | | | | 8mA | |
| | 5 | 123 | DSR1# (DI) | | GP45 (DIOD8) | 28h<5>=1 | | | | | 8mA | |

| Group | Bit | Pin Loc. | 1 st Func | Condition | 2 nd Func | Condition | 3 rd Func | Condition | 4 th Func | Condition | Output Driving (mA) | Note |
|---------|-----|----------|----------------------|-------------------------|----------------------|-----------|----------------------|-----------|----------------------|-----------|---------------------|--|
| | 6 | 61 | CIRRX2 (DI) | 28h<6>=0, LDN4 F2h<0>=1 | DSR5# (DI) | 28h<6>=0 | GP46 (DIOD8) | 28h<6>=1 | | | 8mA | |
| | 7 | 116 | DSR6# (DI) | | GP47 (DIOD8) | 28h<7>=1 | | | | | 8mA | |
| GPIO 5x | 0 | 115 | RTS6# (DO8) | 29h<0>=0 | GP50 (DIOD8) | 29h<0>=1 | | | | | 8mA | |
| | 1 | 5 | FAN_CTL2 (DOD8) | | GP51 (DIOD8) | 29h<1>=1 | | | | | 8mA | |
| | 2 | 4 | FAN_TAC2 (DI) | | GP52 (DIOD8) | 29h<2>=1 | | | | | 8mA | |
| | 3 | 74 | SUSC# (DI) | | GP53 (DIOD8) | 29h<3>=1 | | | | | 8mA | |
| | 4 | 70 | PME# (DOD8) | | GP54 (DIOD8) | 29h<4>=1 | | | | | 8mA | |
| | 5 | 82 | RSMRST# (DOD8) | | GP55 (DIOD8) | 29h<5>=1 | | | | | 8mA | |
| | 6 | 80 | MCLK (DIOD24) | | GP56 (DIOD24) | 29h<6>=1 | | | | | 24mA | No Internal Pull-up Simple I/O Only |
| | 7 | 79 | MDAT (DIOD24) | | GP57 (DIOD24) | 29h<6>=1 | | | | | 24mA | No Internal Pull-up Simple I/O Only |
| GP IO6x | 0 | 78 | KCLK (DIOD24) | | GP60 (DIOD24) | 29h<6>=1 | | | | | 24mA | No Internal Pull-up Simple I/O Only |
| | 1 | 77 | KDAT (DIOD24) | | GP61 (DIOD24) | 29h<6>=1 | | | | | 24mA | No Internal Pull-up Simple I/O Only |
| | 2 | 42 | KRST# (DO8) | | GP62 (DIOD16) | 29h<6>=1 | | | | | 16mA | Simple I/O Only |
| | 3 | 21 | DCD3# (DI) | | GP63 (DIOD8) | | | | | | 8mA | Simple I/O Only |
| | 4 | 58 | CTS5# (DI) | | GP64 (DIOD8) | | | | | | 8mA | Simple I/O Only |

IT8786E-I (For B Version)



| Group | Bit | Pin Loc. | 1 st Func | Condition | 2 nd Func | Condition | 3 rd Func | Condition | 4 th Func | Condition | Output Driving (mA) | Note |
|---------|-----|----------|----------------------|-----------|----------------------|------------------------|----------------------|-----------|----------------------|-----------|---------------------|--|
| | 5 | 57 | RI5# (DI) | | PCH_C1 (DIOD8) | 2Ah<2>=1; LDN4 F3[4]=1 | GP65 (DOD8) | | | | 8mA | Simple I/O Only |
| | 6 | 48 | DCD4# (DI) | | GP66 (DIOD8) | | | | | | 8mA | Simple I/O Only This GPIO pad is powered by VBAT, register is powered by 3VSB |
| | 7 | 113 | DCD6# (DI) | | GP67 (DIOD8) | | | | | | 8mA | |
| GPIO 7x | 0 | 104 | PD0 (DIO24) | | GP70 (DIOD24) | | | | | | 8mA | Simple I/O Only |
| | 1 | 105 | PD1 (DIO24) | | GP71 (DIOD24) | | | | | | 8mA | Simple I/O Only |
| | 2 | 106 | PD2 (DIO24) | | GP72 (DIOD24) | | | | | | 8mA | Simple I/O Only |
| | 3 | 107 | PD3 (DIO24) | | GP73 (DIOD24) | | | | | | 8mA | Simple I/O Only |
| | 4 | 108 | PD4 (DIO24) | | GP74 (DIOD24) | | | | | | 8mA | Simple I/O Only |
| | 5 | 109 | PD5 (DIO24) | | GP75 (DIOD24) | | | | | | 8mA | Simple I/O Only |
| | 6 | 110 | PD6 (DIO24) | | GP76 (DIOD24) | | | | | | 8mA | Simple I/O Only |
| | 7 | 111 | PD7 (DIO24) | | GP77 (DIOD24) | | | | | | 8mA | Simple I/O Only |
| GP IO8x | 0 | 95 | SLCT# (DI) | | GP80 (DIOD24) | | | | | | 8mA | Simple I/O Only |
| | 1 | 96 | PE# (DI) | | GP81 (DIOD8) | | | | | | 8mA | Simple I/O Only |
| | 2 | 97 | BUSY# (DI) | | GP82 (DIOD8) | | | | | | 8mA | Simple I/O Only |

| Group | Bit | Pin Loc. | 1 st Func | Condition | 2 nd Func | Condition | 3 rd Func | Condition | 4 th Func | Condition | Output Driving (mA) | Note |
|-------|-----|----------|----------------------|-----------|----------------------|-----------|----------------------|-----------|----------------------|-----------|---------------------|-----------------|
| | 3 | 98 | ACK# (DI) | | GP83 (DIOD8) | | | | | | 8mA | Simple I/O Only |
| | 4 | 99 | SLIN# (DIO24) | | GP84 (DIOD24) | | | | | | 24mA | Simple I/O Only |
| | 5 | 100 | INIT# (DIO24) | | GP85 (DIOD24) | | | | | | 24mA | Simple I/O Only |
| | 6 | 102 | AFD# (DIO24) | | GP86 (DIOD24) | | | | | | 24mA | Simple I/O Only |
| | 7 | 103 | STB# (DI) | | GP87 (DIOD24) | | | | | | 24mA | Simple I/O Only |

Table 6-2. GPIO Registers and Power Pads Table

(✓: Power by 3VSB - : Power by AVCC3; ✖: Unsupported by this chip)

| GP I/O Group 1 | GPIO10 | GPIO11 | GPIO12 | GPIO13 | GPIO14 | GPIO15 | GPIO16 | GPIO17 |
|-------------------------------------|---|--------|--------|--------|--------|--------|--------|--------|
| Pad power | ✓ | - | - | - | - | - | - | - |
| Global Register Index 25h<bit0-7> | ✓ | - | - | - | - | - | - | - |
| Pin polarity (Index B0h) | - | - | - | - | - | - | - | - |
| Internal pull-up enable (Index B8h) | ✓ | ✓ | ✓ | ✓ | ✓ | ✓ | ✓ | ✓ |
| Simple I/O Enable (Index C0h) | ✓ | - | - | - | - | - | - | - |
| Output/Input Selection (Index C8h) | ✓ | - | - | - | - | - | - | - |
| GP I/O Group 2 | GPIO20 | GPIO21 | GPIO22 | GPIO23 | GPIO24 | GPIO25 | GPIO26 | GPIO27 |
| Pad power | ✓ | ✓ | - | ✓ | ✓ | ✓ | - | ✓ |
| Global Register Index 26<bit0-7> | ✓ | ✓ | ✓ | ✓ | ✓ | ✓ | ✓ | ✓ |
| Pin polarity (Index B1h) | ✓ | ✓ | ✓ | ✓ | ✓ | ✓ | ✓ | ✓ |
| Internal pull-up enable (Index B9h) | - | - | - | - | - | - | - | - |
| Simple I/O Enable (Index C1h) | ✓ | ✓ | ✓ | ✓ | ✓ | ✓ | ✓ | ✓ |
| Output/Input Selection (Index C9h) | ✓ | ✓ | ✓ | ✓ | ✓ | ✓ | ✓ | ✓ |
| GP I/O Group 3 | GPIO30 | GPIO31 | GPIO32 | GPIO33 | GPIO34 | GPIO35 | GPIO36 | GPIO37 |
| Pad power | - | - | - | - | - | - | - | - |
| Global Register Index 27h<bit0-7> | - | - | - | - | - | - | - | - |
| Pin polarity (Index B2h) | - | - | - | - | - | - | - | - |
| Internal pull-up enable (Index BAh) | - | - | - | - | - | - | - | - |
| Simple I/O Enable (Index C2h) | - | - | - | - | - | - | - | - |
| Output/Input Selection (Index CAh) | - | - | - | - | - | - | - | - |
| GP I/O Group 4 | GPIO40 | GPIO41 | GPIO42 | GPIO43 | GPIO44 | GPIO45 | GPIO46 | GPIO47 |
| Pad power | ✓ | ✓ | ✓ | ✓ | ✓ | ✓ | ✓ | - |
| Global Register Index 28h<bit0-7> | ✓ | ✓ | ✓ | ✓ | ✓ | ✓ | ✓ | - |
| Pin polarity (Index B3h) | - | - | - | - | - | - | - | - |
| Internal pull-up enable (Index BBh) | - | - | - | - | - | - | - | - |
| Simple I/O Enable (Index C3h) | ✓ | ✓ | ✓ | ✓ | ✓ | ✓ | ✓ | - |
| Output/Input Selection (Index CBh) | ✓ | ✓ | ✓ | ✓ | ✓ | ✓ | ✓ | - |
| GP I/O Group 5 | GPIO50 | GPIO51 | GPIO52 | GPIO53 | GPIO54 | GPIO55 | GPIO56 | GPIO57 |
| Pad power | - | - | - | ✓ | ✓ | ✓ | - | - |
| Global Register Index 29h<bit0-7> | - | - | - | ✓ | ✓ | ✓ | - | - |
| Pin polarity (Index B4h) | - | - | - | - | - | - | - | - |
| Internal pull-up enable (Index BCh) | - | - | - | - | - | - | - | - |
| Simple I/O Enable (Index C4h) | - | - | - | ✓ | ✓ | ✓ | - | - |
| Output/Input Selection (Index CCh) | - | - | - | ✓ | ✓ | ✓ | - | - |
| Note: | GP56、GP57 Enabled by Index 29h<bit 6>=1 | | | | | | | |

| GP I/O Group 6 | GPIO60 | GPIO61 | GPIO62 | GPIO63 | GPIO64 | GPIO65 | GPIO66 | GPIO67 |
|-------------------------------------|--|--------|--------|--------|--------|--------|--------|--------|
| Pad power | - | - | - | ✓ | ✓ | - | ✓ | ✓ |
| Global Register Index 29h<bit 7-6> | - | - | - | - | - | - | - | - |
| Internal pull-up enable (Index BDh) | - | - | - | - | - | - | - | - |
| Output/Input Selection (Index CDh) | - | - | - | ✓ | ✓ | ✓ | ✓ | ✓ |
| Note: | GP60~GP62 Enabled by Index 29h<bit 6>=1 GP63~GP67 Enabled by Index 29h<bit 7>=1 | | | | | | | |
| GP I/O Group 7 | GPIO70 | GPIO71 | GPIO72 | GPIO73 | GPIO74 | GPIO75 | GPIO76 | GPIO77 |
| Pad power | ✓ | ✓ | ✓ | ✓ | ✓ | ✓ | ✓ | ✓ |
| Output/Input Selection (Index CEh) | ✓ | ✓ | ✓ | ✓ | ✓ | ✓ | ✓ | ✓ |
| Note: | For GP70~GP77 Simple IO Enable: a. Parallel Port Disable: LDN3\Index30h=00h b. Bus Selection Disable: LDN7\IndexE9h<bit 5>=1 | | | | | | | |
| GP I/O Group 8 | GPIO80 | GPIO81 | GPIO82 | GPIO83 | GPIO84 | GPIO85 | GPIO86 | GPIO87 |
| Pad power | ✓ | ✓ | ✓ | ✓ | ✓ | ✓ | ✓ | ✓ |
| Output/Input Selection (Index CFh) | ✓ | ✓ | ✓ | ✓ | ✓ | ✓ | ✓ | ✓ |
| Note: | For GP80~GP87 Simple IO Enable: a. Parallel Port Disable: LDN3\Index30h=00h b. SMBus Isolation Disable: Global Index2Ch<bit 7>=1 | | | | | | | |

This page is intentionally left blank.

7. Power On Strapping Options and Special Pin Routings
Table 7-1. Power On Strapping Options

| | Symbol | Strapping Event | Value | Description |
|----------------|-------------|-----------------------------|-------|---|
| JP1 Pin 60 | DSW_EUP_SEL | Internal 3VSB_OK | 1 | EUP |
| | | | 0 | DSW ^{*Note1} |
| JP2 Pin 122 | WDT_EN | Internal VCC-OK/ LRESET# | 1 | Disable WDT to rest PWROK |
| | | | 0 | Enable WDT to rest PWROK |
| JP3 Pin 124 | FAN_CTL_SEL | Internal VCC-OK | 1 | The default value of EC Index 63h/6Bh/73h is 80h. |
| | | | 0 | The default value of EC Index 63h/6Bh/73h is 00h. |
| JP4 Pin 121 | ENTER_KEY | Internal VCC-OK | 1 | Enter Key: 2E/2F (87h, 01h, 55h, 55h) |
| | | | 0 | Enter Key: 4E/4F (87h, 01h, AAh, AAh) |
| JP6 Pin 62 | ATX_SEL | Internal 3VSB_OK | 1 | ATX Mode |
| | | | 0 | AT Mode |

Note:

1. Pull-down with 8.2k ohm recommended

Figure 7-1. IT8786E-I EUP Applications Circuitry for Intel ICH

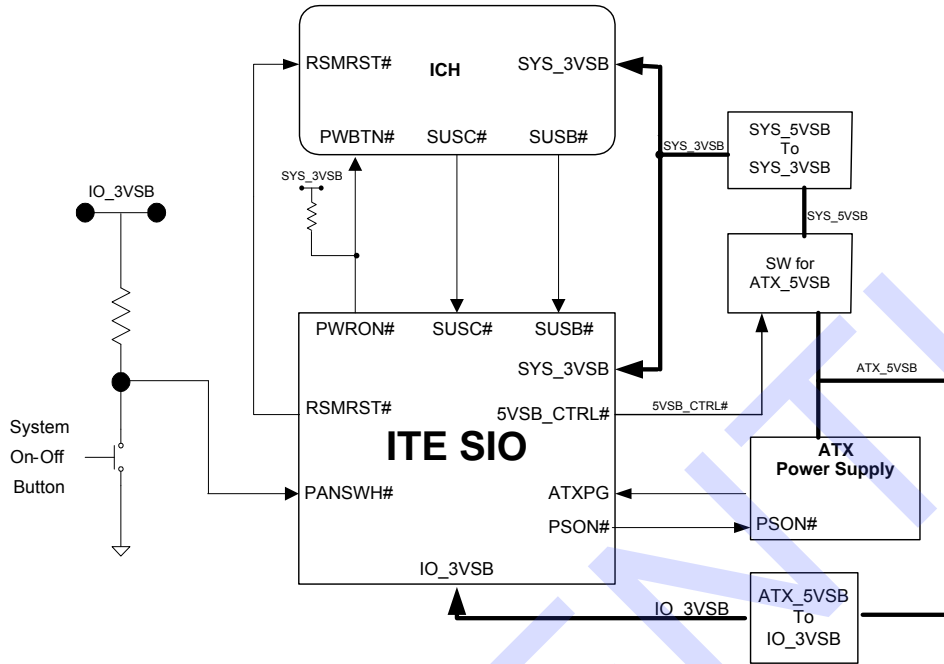
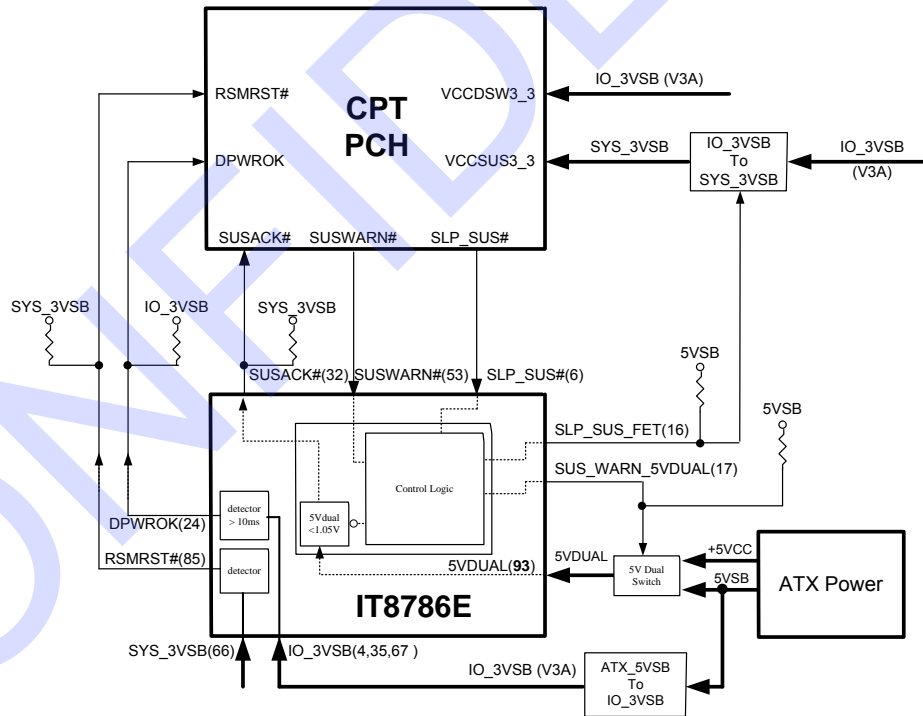


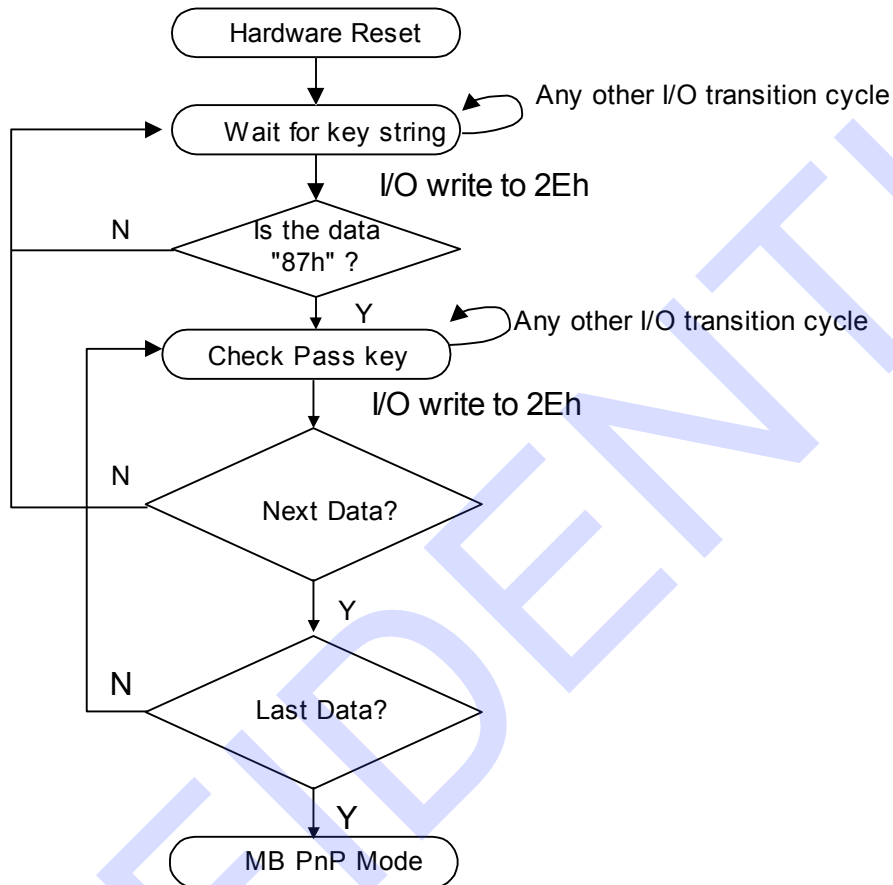
Figure 7-2. IT8786E-I DSW Applications Circuitry for Intel CPT/PCH



8. Configuration

8.1 Configuring Sequence

After a hardware reset or power-on reset, the IT8786E-I enters the normal mode with all logical devices disabled except KBC. The initial state (enable bit) of this logical device (KBC) is "1".



There are three steps below to completing the configuration setup:

- (1) Enter MB PnP Mode
- (2) Modify data of configuration registers
- (3) Exit MB PnP Mode

The undesired result may occur if the MB PnP Mode is not exited properly.

(1) Enter MB PnP Mode

To enter the MB PnP Mode, four special I/O write operations are required to be performed during the Wait for Key state and in order to ensure the initial state of the key-check logic, it is necessary to perform four write operations to the Special Address port (2Eh). Two different enter keys, which are decided by hardware reset strapping, are provided to select configuration ports (2Eh/2Fh or 4Eh/4Fh) of the next step.

| | Address Port | Data Port |
|----|--------------|-----------|
| | 2Eh | 2Fh |
| or | 4Eh | 4Fh |

(2) Modify Data of Configuration Registers

All configuration registers can be accessed after entering the MB PnP Mode. Before accessing a selected register, the content of Index 07h must be changed to the LDN to which the register belongs, except some Global registers.

(3) Exit MB PnP Mode

Set bit 1 of the configure control register (Index=02h) to “1” to exit the MB PnP Mode.

8.2 Configuration Registers

All registers except APC/PME registers will be reset to the default state when RESET is activated.

Table 8-1. Global Configuration Registers

| LDN | Index | R/W | Reset | Configuration Register or Action |
|--------------------------|-------|-----|-----------|--|
| All | 02h | W | NA | Configure Control |
| All | 07h | R/W | NA | Logical Device Number (LDN) |
| All | 20h | R | 87h | Chip ID Byte 1 |
| All | 21h | R | 86h | Chip ID Byte 2 |
| All | 22h | W-R | 00h | Chip Version |
| All | 23h | R/W | 00h | Clock Selection Register |
| All | 24h | R/W | 00h | Special Register |
| 07h <small>Note1</small> | 25h | R/W | 00h | GPIO Set 1 Multi-Function Pin Selection Register Bit 0 powered by 3VSB. |
| 07h <small>Note1</small> | 26h | R/W | F3h | GPIO Set 2 Multi-Function Pin Selection Register Bit 7-0 powered by 3VSB. |
| 07h <small>Note1</small> | 27h | R/W | 00h | GPIO Set 3 Multi-Function Pin Selection Register |
| 07h <small>Note1</small> | 28h | R/W | 00h | GPIO Set 4 Multi-Function Pin Selection Register Bit 7-0 powered by 3VSB. |
| 07h <small>Note1</small> | 29h | R/W | 00h | GPIO Set 5 Multi-Function Pin Selection Register Bit 5-3 powered by 3VSB. |
| 07h <small>Note1</small> | 2Ah | R/W | 00h | Special Function Selection Register 1 Bit 7-0 powered by 3VSB. |
| All | 2Bh | R/W | 0100s000b | Special Function Selection Register 2 |
| 07h <small>Note1</small> | 2Ch | R/W | 01h | Special Function Selection Register 3 Bit 7-0 powered by 3VSB. |
| 07h | 2Dh | R/W | 00h | Special Function Selection Register 4 |
| F4h <small>Note1</small> | 2Eh | R/W | 00h | Test 1 Register |
| F4h <small>Note1</small> | 2Fh | R/W | 00h | Test 2 Register |

Note 1: These registers can be read from all LDNs.

Table 8-2. Serial Port 1 Configuration Registers

| LDN | Index | R/W | Reset | Configuration Register or Action |
|-----|-------|-----|-------|--|
| 01h | 30h | R/W | 00h | Serial Port 1 Activate |
| 01h | 60h | R/W | 03h | Serial Port 1 Base Address MSB Register |
| 01h | 61h | R/W | F8h | Serial Port 1 Base Address LSB Register |
| 01h | 70h | R/W | 04h | Serial Port 1 Interrupt Level Select |
| 01h | F0h | R/W | 00h | Serial Port 1 Special Configuration Register 1 |
| 01h | F1h | R/W | 50h | Serial Port 1 Special Configuration Register 2 |
| 01h | F2h | R/W | 00h | Serial Port 1 9-Bit Multi-Drops Slave Address |

Table 8-3. Serial Port 2 Configuration Registers

| LDN | Index | R/W | Reset | Configuration Register or Action |
|-----|-------|-----|-------|--|
| 02h | 30h | R/W | 00h | Serial Port 2 Activate |
| 02h | 60h | R/W | 02h | Serial Port 2 Base Address MSB Register |
| 02h | 61h | R/W | F8h | Serial Port 2 Base Address LSB Register |
| 02h | 70h | R/W | 03h | Serial Port 2 Interrupt Level Select |
| 02h | F0h | R/W | 00h | Serial Port 2 Special Configuration Register 1 |
| 02h | F1h | R/W | 50h | Serial Port 2 Special Configuration Register 2 |
| 02h | F2h | R/W | 00h | Serial Port 2 9-Bit Multi-Drops Slave Address |

Table 8-4. Parallel Port Configuration Registers

| LDN | Index | R/W | Reset | Configuration Register or Action |
|-----|-------|-----|----------------------|---|
| 03h | 30h | R/W | 00h | Parallel Port Activate |
| 03h | 60h | R/W | 03h | Parallel Port Primary Base Address MSB Register |
| 03h | 61h | R/W | 78h | Parallel Port Primary Base Address LSB Register |
| 03h | 62h | R/W | 07h | Parallel Port Secondary Base Address MSB Register |
| 03h | 63h | R/W | 78h | Parallel Port Secondary Base Address LSB Register |
| 03h | 70h | R/W | 07h | Parallel Port Interrupt Level Select |
| 03h | 74h | R/W | 03h | Parallel Port DMA Channel Select ^{Note2} |
| 03h | F0h | R/W | 03h ^{Note2} | Parallel Port Special Configuration Register |

Note 2: When the bit 2 of the Primary Base Address LSB Register of Parallel Port is set to 1, the EPP mode cannot be enabled. Bit 0 of this register is always 0.

Table 8-5. Environment Controller Configuration Registers

| LDN | Index | R/W | Reset | Configuration Register or Action |
|-----|-------|-------|-------|---|
| 04h | 30h | R/W | 00h | Environment Controller Activate |
| 04h | 60h | R/W | 02h | Environment Controller Base Address MSB Register |
| 04h | 61h | R/W | 90h | Environment Controller Base Address LSB Register |
| 04h | 62h | R/W | 02h | PME Direct Access Base Address MSB Register |
| 04h | 63h | R/W | 30h | PME Direct Access Base Address LSB Register |
| 04h | 70h | R/W | 09h | Environment Controller Interrupt Level Select |
| 04h | F0h | R/W | 00h | APC/PME Event Enable Register |
| 04h | F1h | R/W | 00h | APC/PME Status Register |
| 04h | F2h | R/W | 00h | APC/PME Control Register 1 |
| 04h | F3h | R/W | 00h | Environment Controller Special Configuration Register |
| 04h | F4h | R-R/W | 00h | APC/PME Control Register 2 |
| 04h | F5h | R/W | - | APC/PME Special Code Index Register |
| 04h | F6h | R/W | - | APC/PME Special Code Data Register |
| 04h | FAh | R/W | - | Special Configuration Register 1 |
| 04h | FBh | R/W | - | Special Configuration Register 2 |
| 04h | FCh | R/W | - | Special Configuration Register 3 |

Table 8-6. KBC(Keyboard) Configuration Registers

| LDN | Index | R/W | Reset | Configuration Register or Action |
|-----|-------|-------|-------|---|
| 05h | 30h | R/W | 01h | KBC(Keyboard) Activate |
| 05h | 60h | R/W | 00h | KBC(Keyboard) Data Base Address MSB Register |
| 05h | 61h | R/W | 60h | KBC(Keyboard) Data Base Address LSB Register |
| 05h | 62h | R/W | 00h | KBC(Keyboard) Command Base Address MSB Register |
| 05h | 63h | R/W | 64h | KBC(Keyboard) Command Base Address LSB Register |
| 05h | 70h | R/W | 01h | KBC(Keyboard) Interrupt Level Select |
| 05h | 71h | R-R/W | 02h | KBC(Keyboard) Interrupt Type ^{Note3} |
| 05h | F0h | R/W | 48h | KBC(Keyboard) Special Configuration Register |

Table 8-7. KBC(Mouse) Configuration Registers

| LDN | Index | R/W | Reset | Configuration Register or Action |
|-----|-------|-------|-------|--|
| 06h | 30h | R/W | 00h | KBC(Mouse) Activate |
| 06h | 70h | R/W | 0Ch | KBC(Mouse) Interrupt Level Select |
| 06h | 71h | R-R/W | 02h | KBC(Mouse) Interrupt Type ^{Note3} |
| 06h | F0h | R/W | 00h | KBC(Mouse) Special Configuration Register |

Note 3: These registers are **read only** unless the write enable bit (Index=F0h) is asserted.

Table 8-8. GPIO Configuration Registers

| LDN | Index | R/W | Reset | Configuration Register or Action |
|-----|-------|-----|-------|--|
| 07h | 60h | R/W | 00h | SMI# Normal Run Access Base Address MSB Register |
| 07h | 61h | R/W | 00h | SMI# Normal Run Access Base Address LSB Register |
| 07h | 62h | R/W | 00h | Simple I/O Base Address MSB Register |
| 07h | 63h | R/W | 00h | Simple I/O Base Address LSB Register |
| 07h | 64h | R/W | 00h | Serial Flash I/F Base Address MSB Register |
| 07h | 65h | R/W | 00h | Serial Flash I/F Base Address LSB Register |
| 07h | 70h | R/W | 00h | Panel Button De-bounce Interrupt Level Select Register |
| 07h | 71h | R/W | 00h | Watch Dog Timer Control Register |
| 07h | 72h | R/W | 20h | Watch Dog Timer Configuration Register |
| 07h | 73h | R/W | 38h | Watch Dog Timer Time-out Value (LSB) Register |
| 07h | 74h | R/W | 00h | Watch Dog Timer Time-out Value (MSB) Register |
| 07h | B0h | R/W | 00h | GPIO Set 1 Pin Polarity Register |
| 07h | B1h | R/W | 00h | GPIO Set 2 Pin Polarity Register |
| 07h | B2h | R/W | 00h | GPIO Set 3 Pin Polarity Register |
| 07h | B3h | R/W | 00h | GPIO Set 4 Pin Polarity Register |
| 07h | B4h | R/W | 00h | GPIO Set 5 Pin Polarity Register |
| 07h | B8h | R/W | 20h | GPIO Set 1 Pin Internal Pull-up Enable Register |
| 07h | B9h | R/W | 00h | GPIO Set 2 Pin Internal Pull-up Enable Register |
| 07h | BAh | R/W | 00h | GPIO Set 3 Pin Internal Pull-up Enable Register |

| LDN | Index | R/W | Reset | Configuration Register or Action |
|-----|-------|-----|-----------|--|
| 07h | BBh | R/W | 00h | GPIO Set 4 Pin Internal Pull-up Enable Register |
| 07h | BCh | R/W | 00h | GPIO Set 5 Pin Internal Pull-up Enable Register |
| 07h | BDh | R/W | 00h | GPIO Set 6 Pin Internal Pull-up Enable Register |
| 07h | C0h | R/W | 01h | Simple I/O Set 1 Enable Register Bit 0 powered by 3VSB. |
| 07h | C1h | R/W | 00h | Simple I/O Set 2 Enable Register Bit 7-0 powered by 3VSB. |
| 07h | C2h | R/W | 00h | Simple I/O Set 3 Enable Register |
| 07h | C3h | R/W | 40h | Simple I/O Set 4 Enable Register Bit 7-0 powered by 3VSB. |
| 07h | C4h | R/W | 00h | Simple I/O Set 5 Enable Register Bit 7-0 powered by 3VSB. |
| 07h | C8h | R/W | 01h | Simple I/O Set 1 Output Enable Register |
| 07h | C9h | R/W | 00h | Simple I/O Set 2 Output Enable Register |
| 07h | CAh | R/W | 00h | Simple I/O Set 3 Output Enable Register |
| 07h | CBh | R/W | 40h | Simple I/O Set 4 Output Enable Register Bit 7-0 powered by 3VSB. |
| 07h | CCh | R/W | 00h | Simple I/O Set 5 Output Enable Register Bit 7-0 powered by 3VSB. |
| 07h | CDh | R/W | 00h | Simple I/O Set 6 Output Enable Register Bit 7-0 powered by 3VSB. |
| 07h | CEh | R/W | 00h | Simple I/O Set 7 Output Enable Register Bit 7-0 powered by 3VSB. |
| 07h | CFh | R/W | 00h | Simple I/O Set 8 Output Enable Register Bit 7-0 powered by 3VSB. |
| 07h | E0h | R/W | 00h | Panel Button De-bounce 0 Input Pin Mapping Register |
| 07h | E1h | R/W | 00h | Panel Button De-bounce 1 Input Pin Mapping Register |
| 07h | E2h | R/W | 00h | IRQ External Routing 0 Input Pin Mapping Register |
| 07h | E3h | R/W | 00h | IRQ External Routing 1 Input Pin Mapping Register |
| 07h | E4h | R/W | 00h | IRQ External Routing 1-0 Interrupt Level Selection Registers |
| 07h | E9h | R/W | 00000---b | Bus Select Control Register |
| 07h | F0h | R/W | 00h | SMI# Control Register 1 |
| 07h | F1h | R/W | 00h | SMI# Control Register 2 |
| 07h | F2h | R/W | 00h | SMI# Status Register 1 |
| 07h | F3h | R/W | 00h | SMI# Status Register 2 |
| 07h | F4h | R/W | 00h | SMI# Pin Mapping Register |
| 07h | F5h | R/W | 00h | Hardware Monitor Thermal Output Pin Mapping Register Bit 7-0 powered by 3VSB. |

| LDN | Index | R/W | Reset | Configuration Register or Action |
|-----|-------|-----|-------|--|
| 07h | F6h | R/W | 00h | Hardware Monitor Alert Beep Pin Mapping Register |
| 07h | F7h | R/W | 00h | Keyboard Lock Pin Mapping Register |
| 07h | F8h | R/W | 00h | GP LED Blinking 1 Pin Mapping Register Bit 7-0 powered by 3VSB. |
| 07h | F9h | R/W | 00h | GP LED Blinking 1 Control Register Bit 7-0 powered by 3VSB. |
| 07h | FAh | R/W | 00h | GP LED Blinking 2 Pin Mapping Register Bit 7-0 powered by 3VSB. |
| 07h | FBh | R/W | 00h | GP LED Blinking 2 Control Register Bit 7-0 powered by 3VSB. |

Table 8-9. Serial Port 3 Configuration Registers

| LDN | Index | R/W | Reset | Configuration Register or Action |
|-----|-------|-----|-------|--|
| 08h | 30h | R/W | 00h | Serial Port 3 Activate |
| 08h | 60h | R/W | 02h | Serial Port 3 Base Address MSB Register |
| 08h | 61h | R/W | F8h | Serial Port 3 Base Address LSB Register |
| 08h | 70h | R/W | 03h | Serial Port 3 Interrupt Level Select |
| 08h | F0h | R/W | 00h | Serial Port 3 Special Configuration Register 1 |
| 08h | F1h | R/W | 50h | Serial Port 3 Special Configuration Register 2 |
| 08h | F2h | R/W | 00h | Serial Port 3 9-Bit Multi-Drops Slave Address |

Table 8-10. Serial Port 4 Configuration Registers

| LDN | Index | R/W | Reset | Configuration Register or Action |
|-----|-------|-----|-------|--|
| 09h | 30h | R/W | 00h | Serial Port 4 Activate |
| 09h | 60h | R/W | 02h | Serial Port 4 Base Address MSB Register |
| 09h | 61h | R/W | F8h | Serial Port 4 Base Address LSB Register |
| 09h | 70h | R/W | 03h | Serial Port 4 Interrupt Level Select |
| 09h | F0h | R/W | 00h | Serial Port 4 Special Configuration Register 1 |
| 09h | F1h | R/W | 50h | Serial Port 4 Special Configuration Register 2 |
| 09h | F2h | R/W | 00h | Serial Port 4 9-Bit Multi-Drops Slave Address |

Table 8-11. Consumer IR Configuration Registers

| LDN | Index | R/W | Reset | Configuration Register or Action |
|-----|-------|-----|-------|--|
| 0Ah | 30h | R/W | 00h | Consumer IR Activate |
| 0Ah | 60h | R/W | 03h | Consumer IR Base Address MSB Register |
| 0Ah | 61h | R/W | 10h | Consumer IR Base Address LSB Register |
| 0Ah | 70h | R/W | 0Bh | Consumer IR Interrupt Level Select |
| 0Ah | F0h | R/W | 06h | Consumer IR Special Configuration Register |

Table 8-12. Serial Port 5 Configuration Registers

| LDN | Index | R/W | Reset | Configuration Register or Action |
|-----|-------|-----|-------|--|
| 0Bh | 30h | R/W | 00h | Serial Port 5 Activate |
| 0Bh | 60h | R/W | 02h | Serial Port 5 Base Address MSB Register |
| 0Bh | 61h | R/W | F8h | Serial Port 5 Base Address LSB Register |
| 0Bh | 70h | R/W | 03h | Serial Port 5 Interrupt Level Select |
| 0Bh | F0h | R/W | 00h | Serial Port 5 Special Configuration Register 1 |
| 0Bh | F1h | R/W | 50h | Serial Port 5 Special Configuration Register 2 |
| 0Bh | F2h | R/W | 00h | Serial Port 5 9-Bit Multi-Drops Slave Address |

Table 8-13. Serial Port 6 Configuration Registers

| LDN | Index | R/W | Reset | Configuration Register or Action |
|-----|-------|-----|-------|--|
| 0Ch | 30h | R/W | 00h | Serial Port 6 Activate |
| 0Ch | 60h | R/W | 02h | Serial Port 6 Base Address MSB Register |
| 0Ch | 61h | R/W | F8h | Serial Port 6 Base Address LSB Register |
| 0Ch | 70h | R/W | 03h | Serial Port 6 Interrupt Level Select |
| 0Ch | F0h | R/W | 00h | Serial Port 6 Special Configuration Register 1 |
| 0Ch | F1h | R/W | 50h | Serial Port 6 Special Configuration Register 2 |
| 0Ch | F2h | R/W | 00h | Serial Port 6 9-Bit Multi-Drops Slave Address |

8.2.1 Logical Device Base Address

The base I/O range of logical devices shown below is located in the base I/O address range of each logical device.

Table 8-14. Base Address of Logical Devices

| Logical Devices | Address | Notes |
|---------------------------------|-----------------------------------|--------------------------------|
| LDN=1 SERIAL PORT 1 | Base + (0 -7) | |
| LDN=2 SERIAL PORT 2 | Base1 + (0 -7) | COM port |
| LDN=3 PARALLEL PORT | Base1 + (0 -3) | SPP |
| | Base1 + (0 -7) | SPP+EPP |
| | Base1 + (0 -3) and Base2 + (0 -3) | SPP+ECP |
| | Base1 + (0 -7) and Base2 + (0 -3) | SPP+EPP+ECP |
| LDN=4 Environment Controller | Base3 | POST data port |
| | Base1 + (0 -7) Base2 + (0 -3) | Environment Controller PME# |
| LDN=5 KBC | Base1 + Base2 | KBC |
| LDN=8 SERIAL PORT 3 | Base + (0 -7) | |
| LDN=9 SERIAL PORT 4 | Base + (0 -7) | |
| LDN=A Consumer IR | Base + (0 -7) | |
| LDN=B SERIAL PORT 5 | Base + (0 -7) | |
| LDN=C SERIAL PORT 6 | Base + (0 -7) | |

8.3 Global Configuration Registers (LDN: All)

8.3.1 Configure Control (Index=02h)

This register is **write only**. Its values are not sticky; that is to say, a hardware reset will automatically clear the bits, and the software is not required to clear them.

| Bit | Description |
|-----|---|
| 7-2 | Reserved |
| 1 | Returns to the "Wait for Key" state. This bit is used when the configuration sequence is completed. |
| 0 | Resets all logical devices and restores configuration registers to their power-on states. |

8.3.2 Logical Device Number (LDN, Index=07h)

This register is, **read/write**, which is to select the current logical devices. By reading data from or writing data to the configuration of I/O, Interrupt, DMA and other special functions, all registers of the logical devices can be accessed. In addition, ACTIVATE command is only effective for the selected logical devices.

8.3.3 Chip ID Byte 1 (Index=20h, Default=87h)

This register is Chip ID Byte 1 and **read only**. Bits [7:0]=87h when read.

8.3.4 Chip ID Byte 2 (Index=21h, Default=86h)

This register is Chip ID Byte 2 and **read only**. Bits [7:0]=86h when read.

8.3.5 Chip Version (Index=22h, Default=01h)

| Bit | Description |
|-----|---|
| 7-4 | Reserved |
| 3-0 | Version 000b for AX 001b for BX The part no. is IT8786E-I/BX. |

8.3.6 Clock Selection Register (Index=23h, Default=00h)

| Bit | Description |
|-----|---|
| 7-5 | Reserved |
| 4 | Clock Source Select of Watch Dog Timer 0: Internal oscillating clock (Default) 1: External CLKIN |
| 3 | Reserved |
| 2 | PWRGD3 Timing Selection 0: 150ms 1: 300ms |
| 1 | Reserved |
| 0 | CLKIN Frequency 0: 48 MHz (Default) 1: 24 MHz |

8.3.7 Special Register (Index=24h, Default=00h)

| Bit | Description |
|-----|-------------|
| 7-0 | Reserved |

8.3.8 GPIO Set 1 Multi-Function Pin Selection Register (Index=25h, Default=00h)

If the enabled bits are not set, the multi-function pins will perform the original functions. Conversely, if they are set, they will perform the GPIO functions. This register can be read from any LDN, but can only be written if LDN=07h.

| Bit | Description |
|-----|--|
| 7 | Function Selection of Pin 14 0: RI2# (Default) 1: GP17 |
| 6 | Function Selection of Pin 127 0: FAN_CTL5 if bits[3:2] of EC index 0Bh \neq 11b or DTR6# (Default) 1: GP16 |
| 5 | Function Selection of Pin 128 0: RI6# or FAN_TAC5 (Default) 1: GP15 |
| 4 | Function Selection of Pin 22 0: RI3# (Default) 1: GP14 |
| 3 | Function Selection of Pin 23 0: CTS3# (Default) 1: GP13 |
| 2 | Function Selection of Pin 30 0: PCIRST1# or PCH_D1 if bit3 of index 2A is 1 (default) 1: GP12 |
| 1 | Function Selection of Pin 59 0: DTR5# (Default) 1: GP11 |
| 0 | Function Selection of Pin 81 0: SLP_SUS# (if JP1=0) or CIRRX1 (Default) 1: GP10 |

8.3.9 GPIO Set 2 Multi-Function Pin Selection Register (Index=26h, Default=F3h)

If the enabled bits are not set, the multi-function pins will perform the original functions. Conversely, if they are set, they will perform the GPIO functions. This register can be read from any LDN, but can only be written if LDN=07h.

| Bit | Description |
|-----|--|
| 7 | Function Selection of Pin 126 0: SIN6 1: GP27 (Default) |
| 6 | Function Selection of Pin 60 0: RTS5# 1: GPO26 (Default) |
| 5 | Function Selection of Pin 18 0: DSR2# 1: GP25 (Default) |
| 4 | Function Selection of Pin 17 0: RTS2# 1: GP24 (Default) |
| 3 | Function Selection of Pin 8 0: DPWROK if JP1 = 0 or FAN_TAC4 1: GP23 |
| 2 | Function Selection of Pin 62 0: SOUT5# (Default) 1: GPO22 |
| 1 | Function Selection of Pin 13 0: DCD2# 1: GP21 (Default) |
| 0 | Function Selection of Pin 15 0: CTS2# 1: GP20 (Default) |

8.3.10 GPIO Set 3 Multi-Function Pin Selection Register (Index=27h, Default=00h)

If the enabled bits are not set, the multi-function pins will perform the original functions. Conversely, if they are set, they will perform the GPIO functions. This register can be read from any LDN, but can only be written if LDN=07h.

| Bit | Description |
|-----|---|
| 7 | Function Selection of Pin 6 0: FAN_TAC3 (Default) 1: GP37 |
| 6 | Function Selection of Pin 7 0: FAN_CTL3 (Default) 1: GP36 |
| 5 | Function Selection of Pin 67 0: SIN5 if COM5 enabled (Default) 1: GP35 |
| 4 | Function Selection of Pin 26 0: DSR3# if COM3 enabled (Default) 1: GP34 |
| 3 | Function Selection of Pin 114 0: CTS6# if COM6 enabled (Default) 1: GP33 |

| Bit | Description |
|-----|---|
| 2 | Function Selection of Pin 117 0: SOUT6 if COM6 enabled (Default) 1: GP32 |
| 1 | Function Selection of Pin 120 0: CTS1# if COM1 enabled (Default) 1: GP31 |
| 0 | Function Selection of Pin 12 0: ATXPG (Default) 1: GP30 |

8.3.11 GPIO Set 4 Multi-Function Pin Selection Register (Index=28h, Default=00h)

If the enabled bits are not set, the multi-function pins will perform the original functions. Conversely, if they are set, they will perform the GPIO functions. This register can be read from any LDN, but can only be written if LDN=07h.

| Bit | Description |
|-----|---|
| 7 | Function Selection of Pin 116 0: DSR6 if COM6 enabled (Default) 1: GP47 |
| 6 | Function Selection of Pin 61 0: DSR5# if COM5 enabled or CIRRX2 if EC bit0 of index F2 is 1.(Default) 1: GP46 |
| 5 | Function Selection of Pin 123 0: DSR1# (Default) 1: GP45 |
| 4 | Function Selection of Pin 69 0: PWRON# (Default) 1: GP44 |
| 3 | Function Selection of Pin 72 0: PANSWH# (Default) 1: GP43 |
| 2 | Function Selection of Pin 73 0: PSON# (Default) 1: GP42 |
| 1 | Function Selection of Pin 56 0: DCD5# if COM5 enabled or SMB_SL_C1 if EC bit2 of index F3 is 1 (Default) 1: GP41 |
| 0 | Function Selection of Pin 76 0: 3VSBSW# if bit7 of index 2A is 1 or SMB_SL_C0 if EC bit1 of index F3 is 1 (Default) 1: GP40 |

8.3.12 GPIO Set 5 Multi-Function Pin Selection Register (Index=29h, Default=00h)

If the enabled bits are not set, the multi-function pins will perform the original functions. Conversely, if they are set, they will perform the GPIO functions. This register can be read from any LDN, but can only be written if LDN=07h.

| Bit | Description |
|-----|--|
| 7 | Function Selection of Pin 80, 79 0: MCLK, MDAT 1: GP56, GP57 |
| 6 | Function Selection of Pin 78, 77, 42 0: KCLK, KDAT, KRST# (Default) 1: GP60, GP61, GP62 |
| 5 | Function Selection of Pin 82 0: RSMRST# (Default) 1: GP55 |
| 4 | Function Selection of Pin 70 0: PME# (Default) 1: GP54 |
| 3 | Function Selection of Pin 74 0: SUSC# (Default) 1: GP53 |
| 2 | Function Selection of Pin 4 0: FAN_TAC2 (Default) 1: GP52 |
| 1 | Function Selection of Pin 5 0: FAN_CTL2 (Default) 1: GP51 |
| 0 | Function Selection of Pin 115 0: RTS6# (Default) 1: GP50 |

8.3.13 Special Function Selection Register 1 (Index=2Ah, Default=00h)

This register can be read from any LDN, but can only be written if LDN=07h.

| Bit | Description |
|-----|--|
| 7 | Enable 3VSBSW# (For System Suspend-to-RAM) 0: 3VSBSW# is always inactive. (Default) 1: 3VSBSW# is enabled. It will be (NOT SUSB#) NAND SUSC#. |
| 6 | Multi-Function Selection of Pin 47 0: Reserved. (Default) 1: External Thermal Sensor Data Specifically when External Thermal Sensor Host is enabled (bit 6-4 of EC Index 0Ah), the function of this pin is selected as SST or ETS_DAT. |
| 5 | Reserved |
| 4 | Delay PCIRST1# to 1ms 0: Disable (Default) 1: Enable |
| 3 | PCH SM-Link Data Pin Selection 0: Pin 10 (Default) 1: Pin 30 |
| 2 | PCH SM-Link Clock Pin Selection 0: Pin 11 if EC bit3 of index F3 is 1 (Default) 1: Pin 57 if EC bit4 of index F3 is 1 |

| Bit | Description |
|-----|---|
| 1 | Reserved |
| 0 | Delay Time Selection of 3VSBSW# Rising Edge to PWRGD3 Rising Edge |

8.3.14 Special Function Selection Register 2 (Index=2Bh, Default=0100s000b)

| Bit | Description |
|-----|---|
| 7-3 | Reserved |
| 2-0 | PANSWH# Mask Time 000: Default 001: 1 second 010: 2 seconds 011: 3 seconds 100: 4 seconds |

8.3.15 Special Function Selection Register 3 (Index=2Ch, Default=89h)

This register can be read from any LDN, but can only be written if LDN=07h.

| Bit | Description |
|-----|--|
| 7 | Reserved |
| 6 | Reserved |
| 5 | Reserved |
| 4 | PS2 Mouse Double Click Wake-up Mode Selection 0: 3-Byte mode (Default) 1: 4-Byte mode |
| 3 | Reserved |
| 2-1 | Reserved |
| 0 | VIN3 Function Selection 0: External VIN3 voltage sensor 1: Internal Voltage Divider for ACC3. (Default) |

8.3.16 Test 1 Register (Index=2Eh, Default=00h)

This register is reserved for ITE and should not be set.

8.3.17 Test 2 Register (Index=2Fh, Default=00h)

This register is reserved for ITE and should not be set.

8.4 Serial Port 1 Configuration Registers (LDN=01h)

8.4.1 Serial Port 1 Activate (Index=30h, Default=00h)

| Bit | Description |
|-----|--|
| 7-1 | Reserved |
| 0 | Serial Port 1 Enable 1: Enable 0: Disable |

8.4.2 Serial Port 1 Base Address MSB Register (Index=60h, Default=03h)

| Bit | Description |
|-----|--|
| 7-4 | Read only as "0h" for Base Address[15:12] |
| 3-0 | Read/write , mapped as Base Address[11:8] |

8.4.3 Serial Port 1 Base Address LSB Register (Index=61h, Default=F8h)

| Bit | Description |
|-----|---|
| 7-3 | Read/write , mapped as Base Address[7:3] |
| 2-0 | Read only as "00b" |

8.4.4 Serial Port 1 Interrupt Level Select (Index=70h, Default=04h)

| Bit | Description |
|-----|---|
| 7-4 | Reserved with default "0h" |
| 3-0 | Interrupt Select Level for Serial Port 1 Please refer to Table 8-15. Interrupt Level Mapping Table. |

8.4.5 Serial Port 1 Special Configuration Register 1 (Index=F0h, Default=00h)

| Bit | Description |
|-----|--|
| 7 | RS485 Mode 1: Enable 0: Disable |
| 6 | RTS# Polarity (for RS 485 Mode Only) 0: Normal 1: Inverted |
| 5-4 | Serial Port 1 Mode 00: Standard (default) Else : Reserved Please refer to Note 8-1 for the detail. |
| 3 | 9-Bit Multi-Drops Mode 1: Enable 0: Disable |
| 2-1 | Clock Source 00: 24 MHz/13 (Standard) 01: 24 MHz/12 10: Reserved 11: Reserved |
| 0 | IRQ Type 1: IRQ sharing 0: Normal |

8.4.6 Serial Port 1 Interrupt Type Register (Index=F1h, Default=50h)

| Bit | Description |
|-----|-------------------------------|
| 7-2 | Reserved |
| 1 | 1: Low level 0: High level |
| 0 | 1: Edge type 0: Level type |

8.4.7 Serial Port 1 9-Bit Multi-Drops Slave Address Register (Index=F2h, Default=00h)

| Bit | Description |
|-----|---|
| 7-0 | 9-Bit Multi-Drops Slave Address Register |

8.5 Serial Port 2 Configuration Registers (LDN=02h)

8.5.1 Serial Port 2 Activate (Index=30h, Default=00h)

| Bit | Description |
|-----|--|
| 7-1 | Reserved |
| 0 | Serial Port 2 Enable 1: Enable 0: Disable |

8.5.2 Serial Port 2 Base Address MSB Register (Index=60h, Default=02h)

| Bit | Description |
|-----|---|
| 7-4 | Read only with "0h" for Base Address [15:12] |
| 3-0 | Read/write , mapped as Base Address [11:8] |

8.5.3 Serial Port 2 Base Address LSB Register (Index=61h, Default=F8h)

| Bit | Description |
|-----|--|
| 7-3 | Read/write , mapped as Base Address [7:3] |
| 2-0 | Read only as "000b" |

8.5.4 Serial Port 2 Interrupt Level Select (Index=70h, Default=03h)

| Bit | Description |
|-----|---|
| 7-4 | Reserved with default "0h" |
| 3-0 | Interrupt Level Select for Serial Port 2 Please refer to Table 8-15. Interrupt Level Mapping Table. |

8.5.5 Serial Port 2 Special Configuration Register 1 (Index=F0h, Default=00h)

| Bit | Description |
|-----|--|
| 7 | RS485 Mode 1: Enable 0: Disable |
| 6 | RTS# Polarity (for RS 485 Only) 0: Normal 1: Inverted |
| 5-4 | Serial Port 2 Mode 00: Standard (default) Else : Reserved Please refer to Note 8-1 for the detail. |
| 3 | 9-Bit Multi-Drops Mode 1: Enable 0: Disable |
| 2-1 | Clock Source 00: 24 MHz/13 (Standard) 01: 24 MHz/12 10: Reserved 11: Reserved |
| 0 | IRQ Type 1: IRQ sharing 0: Normal |

8.5.6 Serial Port 2 Interrupt Type Register (Index=F1h, Default=50h)

| Bit | Description |
|-----|-------------------------------|
| 7-2 | Reserved |
| 1 | 1: Low level 0: High level |
| 0 | 1: Edge type 0: Level type |

8.5.7 Serial Port 2 9-Bit Multi-Drops Slave Address Register (Index=F2h, Default=00h)

| Bit | Description |
|-----|--|
| 7-0 | 9-Bit Multi-Drops Slave Address Register |

8.6 Parallel Port Configuration Registers (LDN=03h)

8.6.1 Parallel Port Activate (Index=30h, Default=00h)

| Bit | Description |
|-----|--|
| 7-1 | Reserved |
| 0 | Parallel Port Enable 1: Enable 0: Disable Note: Bus selection and SMBus isolation must be disabled when this function is enabled. |

8.6.2 Parallel Port Primary Base Address MSB Register (Index=60h, Default=03h)

| Bit | Description |
|-----|--|
| 7-4 | Read only as "0h" for Base Address[15:12] |
| 3-0 | Read/write , mapped as Base Address[11:8] |

8.6.3 Parallel Port Primary Base Address LSB Register (Index=61h, Default=78h)

If bit 2 is set to 1, the EPP mode is disabled automatically.

| Bit | Description |
|-----|---|
| 7-2 | Read/write , mapped as Base Address[7:2] |
| 1-0 | Read only as "00b" |

8.6.4 Parallel Port Secondary Base Address MSB Register (Index=62h, Default=07h)

| Bit | Description |
|-----|--|
| 7-4 | Read only as "0h" for Base Address[15:12] |
| 3-0 | Read/write , mapped as Base Address[11:8] |

8.6.5 Parallel Port Secondary Base Address LSB Register (Index=63h, Default=78h)

| Bit | Description |
|-----|---|
| 7-2 | Read/write , mapped as Base Address[7:2] |
| 1-0 | Read only as "00b" |

8.6.6 Parallel Port Interrupt Level Select (Index =70h, Default=07h)

| Bit | Description |
|-----|---|
| 7-4 | Reserved with default "0h" |
| 3-0 | Interrupt Level Select for Parallel Port Please refer to Table 8-15. Interrupt Level Mapping Table. |

8.6.7 Parallel Port DMA Channel Select (Index=74h, Default=03h)

| Bit | Description |
|-----|--|
| 7-3 | Reserved with default "00h" |
| 2-0 | DMA Channel Select for Parallel Port Please refer to Table 8-16. DMA Channel Mapping Table on page 81. |

8.6.8 Parallel Port Special Configuration Register (Index=F0h, Default=0Bh)

| Bit | Description |
|-----|---|
| 7-6 | Port-80 Output Selection 00: Normal Port-80 (for 7-Seg decod data) 01: EC Index 29h Reading 10: EC Index 2Ah Reading 11: EC Index 2Bh Reading |
| 5-4 | Reserved |
| 3 | Port-80 Function 1: Disable 0: Enable |
| 2 | IRQ Type 1: IRQ sharing 0: Normal |
| 1-0 | Parallel Port Modes 00 : Standard Parallel Port mode (SPP) 01 : EPP mode 10 : ECP mode 11 : EPP mode & ECP mode These bits are independent. If bit 1 is set, ECP mode is enabled. If bit 0 is set, EPP mode is enabled except when bit 2 of Parallel Port Primary Base Address LSB Register is set to 1 in accordance with the EPP specification. |

8.7 Environment Controller Configuration Registers (LDN=04h)

8.7.1 Environment Controller Activate (Index=30h, Default=00h)

| Bit | Description |
|-----|---|
| 7-1 | Reserved |
| 0 | Environment Controller Enable 1: Enable 0: Disable This is a read/write register. |

8.7.2 Environment Controller Base Address MSB Register (Index=60h, Default=02h)

| Bit | Description |
|-----|--|
| 7-4 | Read only as "0h" for Base Address[15:12] |
| 3-0 | Read/write , mapped as Base Address[11:8] |

8.7.3 Environment Controller Base Address LSB Register (Index=61h, Default=90h)

| Bit | Description |
|-----|---|
| 7-3 | Read/write , mapped as Base Address[7:3] |
| 2-0 | Read only as "000b" |

8.7.4 PME Direct Access Base Address MSB Register (Index=62h, Default=02h)

| Bit | Description |
|-----|--|
| 7-4 | Read only as "0h" for Base Address[15:12] |
| 3-0 | Read/write , mapped as Base Address[11:8] |

8.7.5 PME Direct Access Base Address LSB Register (Index=63h, Default=30h)

| Bit | Description |
|-----|---|
| 7-3 | Read/write , mapped as Base Address[7:3] |
| 2-0 | Read only as "000b." |

8.7.6 Environment Controller Interrupt Level Select (Index=70h, Default=09h)

| Bit | Description |
|-----|---|
| 7-4 | Reserved with default "0h" |
| 3-0 | Interrupt Level Select for Environment Controller Please refer to Table 8-15. Interrupt Level Mapping Table on page 81. |

8.7.7 APC/PME Event Enable Register (PER) (Index=F0h, Default=00h)

| Bit | Description |
|-----|---|
| 7 | This bit is set to 1 when 3VSB is off and becomes ineffective if 0 is written to it. Write 1 to clear this bit. |
| 6 | R16# Wake-up Event 0: Disable 1: Enable |
| 5 | R15# Wake-up Event 0: Disable 1: Enable |
| 4 | PS/2 Mouse Event 0: Disable 1: Enable |
| 3 | Keyboard Event 0: Disable 1: Enable |
| 2-1 | Reserved |
| 0 | CIR Event 0: Disable 1: Enable |

8.7.8 APC/PME Status Register (PSR) (Index=F1h, Default=00h)

| Bit | Description |
|-----|---|
| 7 | This bit is set to 1 when AVCC3 is on at the previous AC power failure whereas 0 when AVCC3 is off. |
| 6-5 | Reserved |
| 4 | 0: No PS/2 mouse event detected 1: PS/2 mouse event detected |
| 3 | 0: No keyboard event detected 1: Keyboard event detected |
| 2-1 | Reserved |
| 0 | 0: No CIR event detected 1: CIR event detected |

8.7.9 APC/PME Control Register 1 (PCR 1) (Index=F2h, Default=00h)

| Bit | Description |
|-----|--|
| 7 | PER and PSR Normal Run Access Enable |
| 6 | PME# Output Control 0: Enable 1: Disable |
| 5 | This bit is restored automatically to the previous AVCC3 state before the power failure occurs. Note: AC failure resume can be made by either IO or South Bridge. For the use of IO, the BIOS needs to be set as the following: LDN4 F4<5> and LDN4 F2<5> setting: 1 X :Always ON 0 1 :Memory 0 0 :Always OFF For the use of South Bridge, F4 bit 5 and F4 bit 6 need to be set to 1. |
| 4 | Reserved |
| 3 | Keyboard event mode selection when AVCC3 is on 1: Determined by PCR 2 0: Pulse falling edge on KCLK |
| 2 | Mouse event when AVCC3 is off 1: Determined by LDN4\FBh<6-4> 0: Pulse falling edge on MCLK |
| 1 | Mouse event when AVCC3 is on 1: Click key twice sequentially 0: Pulse falling edge on MCLK |
| 0 | CIRRX Pin Selection 1: Pin 61 0: Pin 81 |

8.7.10 Environment Controller Special Configuration Register (Index=F3h, Default=00h)

| Bit | Description |
|-----|--|
| 7-6 | Reserved |
| 5 | Reserved; must be 0b |
| 4 | PCH SM-LINK Clock 1 Pin (Pin 57:PCH_C1) 0: Disable (Default) 1: Enable |
| 3 | PCH SM-LINK Clock 0 Pin (Pin 11:PCH_C0) 0: Disable (Default) 1: Enable |
| 2 | SMBUS Slave 1 Enable (Pin 56:SMCLK/Pin 49:SMDAT) 0: Disable.(Default) 1: Enable |
| 1 | SMBUS Slave 0 Enable (Pin 76:SMCLK/ Pin75:SMDAT) 0: Disable.(Default) 1: Enable |
| 0 | IRQ Type 1: IRQ sharing 0: Normal |

8.7.11 APC/PME Control Register 2 (PCR 2) (Index=F4h, Default=00h)

| Bit | Description |
|-----|---|
| 7 | Auto-swap of KCLK/KDAT and MCLK/MDAT 0: Enable (Default) 1: Disable |
| 6 | Gate Extra PWRON# Pulse at First 3VSB Power-on 0: None gating (Default) 1: Gating Note: AC failure resume can be made by either IO or South Bridge. For the use of IO, the BIOS needs to be set as the following: LDN4 F4<5> and LDN4 F2<5> setting: 1 X :Always ON 0 1 :Memory 0 0 :Always OFF For the use of South Bridge, F4 bit 5 and F4 bit 6 need to be set to 1. |
| 5 | PSON# state when 3VSB is switched from off to on 0: High-Z (power OFF in default) 1: Inverting of SUSB# |
| 4 | Reserved |
| 3-2 | Key Number of Keyboard Power-up Event 00: 5 Key string mode, 3 keys simultaneous mode 01: 4 Key string mode, 2 keys simultaneous mode 10: 3 Key string mode, 1 key simultaneous mode 11: 2 Key string mode, Reserved (Not valid for simultaneous mode) |
| 1-0 | Mode Selection of Keyboard Power-up Event 00: KCLK falling edge 01: Key string mode 10: Simultaneous key stroke mode 11: Reserved |

8.7.12 APC/PME Special Code Index Register (Index=F5h)

| Bit | Description |
|-----|--|
| 7-6 | Reserved (should be "00") |
| 5-0 | Indicate which Identification Key Code or CIR code register to be read/written via 0xF6 00h~04h: Key code 20h~32h: CIR code 34h~37h: VBAT registers 38h~3Eh: VBAT registers |

8.7.13 APC/PME Special Code Data Register (Index=F6h)

There are 5 bytes for the Key String mode, 3 bytes for Stroke Keys at the same time mode and CIR event codes.

8.7.14 Special Configuration Register 1 (Index=FAh)

| Bit | Description |
|-----|--|
| 7 | R14# Wake-up Event 0: Disable 1: Enable |
| 6 | R13# Wake-up Event 0: Disable 1: Enable |
| 5 | Reserved |
| 4 | EuP Wake-up Event 0: Disable 1: Enable |
| 3 | R12# Wake-up Event 0: Disable 1: Enable |
| 2 | R11# Wake-up Event 0: Disable 1: Enable |
| 1 | 5VSB_CTRL# 0: Disable 1: Enable |
| 0 | 5VAUX_SW 0: Disable 1: Enable |

8.7.15 Special Configuration Register 2 (Index=FBh)

| Bit | Description |
|-----|---|
| 7 | Reserved |
| 6-4 | PS/2 Mouse Wake-up Event Selection 000: Double click any button 001: One click of the left button. 010: One click of the right button. 011: One click of the left or right button. 101: Tow click of the left button. 110: Tow click of the right button. Others: Reserved. |
| 3 | R12# Wake-up Event Status 0: No R12# event detected 1: R12# event detected |
| 2 | R11# Wake-up Event Status 0: No R11# event detected 1: R11# event detected |
| 1-0 | Resume Timing from AC Fail Resume 00: 2 seconds 01: 4 seconds 10: 8 seconds 11: 12 seconds |

8.7.16 Special Configuration Register 3 (Index=FCh)

| Bit | Description |
|-----|---|
| 7-4 | Reserved |
| 3 | RI6# Wake-up Event Status 0: No RI6# event detected 1: RI6# event detected |
| 2 | RI5# Wake-up Event Status 0: No RI5# event detected 1: RI5# event detected |
| 1 | RI4# Wake-up Event Status 0: No RI4# event detected 1: RI4# event detected |
| 0 | RI3# Wake-up Event Status 0: No RI3# event detected 1: RI3# event detected |

8.8 KBC(Keyboard) Configuration Registers (LDN=05h)

8.8.1 KBC(Keyboard) Activate (Index=30h, Default=01h)

| Bit | Description |
|-----|--|
| 7-1 | Reserved |
| 0 | KBC(Keyboard) Enable 1: Enable 0: Disable |

8.8.2 KBC(Keyboard) Data Base Address MSB Register (Index=60h, Default=00h)

| Bit | Description |
|-----|---|
| 7-4 | Read only as "0h" for Base Address [15:12] |
| 3-0 | Read/write , mapped as Base Address [11:8] |

8.8.3 KBC(Keyboard) Data Base Address LSB Register (Index=61h, Default=60h)

| Bit | Description |
|-----|---|
| 7-0 | Read/write , mapped as Base Address[7:0] |

8.8.4 KBC(Keyboard) Command Base Address MSB Register (Index=62h, Default=00h)

| Bit | Description |
|-----|--|
| 7-4 | Read only as "0h" for Base Address[15:12] |
| 3-0 | Read/write , mapped as Base Address[11:8] |

8.8.5 KBC(Keyboard) Command Base Address LSB Register (Index=63h, Default=64h)

| Bit | Description |
|-----|---|
| 7-0 | Read/write , mapped as Base Address[7:0] |

8.8.6 KBC(Keyboard) Interrupt Level Select (Index=70h, Default=01h)

| Bit | Description |
|-----|--|
| 7-4 | Reserved with default "0h" |
| 3-0 | Interrupt Level Select for KBC(Keyboard) Please refer to Table 8-15. Interrupt Level Mapping Table on page 81. |

8.8.7 KBC(Keyboard) Interrupt Type (Index=71h, Default=02h)

This register indicates the interrupt type set for KBC(Keyboard) and is **read only** as "02h" when bit 0 of the KBC(Keyboard) Special Configuration Register is cleared. When bit 0 is set, the interrupt type can be selected as level or edge trigger.

| Bit | Description |
|-----|-------------------------------|
| 7-2 | Reserved |
| 1 | 1: High level 0: Low level |
| 0 | 1: Level type 0: Edge type |

8.8.8 KBC(Keyboard) Special Configuration Register (Index=F0h, Default=08h)

| Bit | Description |
|-----|---|
| 7-5 | Reserved Must be "000b" |
| 4 | IRQ Type 1: IRQ sharing 0: Normal |
| 3 | KBC Clock 1: 8 MHz 0: 12 MHz |
| 2 | KBC Lock 1: Enable 0: Disable |
| 1 | Interrupt Type Change Enable 1: The interrupt type for KBC(Keyboard) can be changed. 0: The interrupt type for KBC(Keyboard) is fixed. |
| 0 | Reserved |

8.9 KBC(Mouse) Configuration Registers (LDN=06h)

8.9.1 KBC(Mouse) Activate (Index=30h, Default=00h)

| Bit | Description |
|-----|---|
| 7-1 | Reserved |
| 0 | KBC(Mouse) Enable 1: Enable 0: Disable |

8.9.2 KBC(Mouse) Interrupt Level Select (Index=70h, Default=0Ch)

| Bit | Description |
|-----|---|
| 7-4 | Reserved with default "0h" |
| 3-0 | Interrupt Level Select for KBC(Mouse) Please refer to Table 8-15. Interrupt Level Mapping Table on page 81. |

8.9.3 KBC(Mouse) Interrupt Type (Index=71h, Default=02h)

This register indicates the interrupt type set for KBC(Mouse) and is **read only** as "02h" when bit 0 of the KBC(Mouse) Special Configuration Register is cleared. When bit 0 is set, the interrupt type can be selected as level or edge trigger.

| Bit | Description |
|-----|-------------------------------|
| 7-2 | Reserved |
| 1 | 1: High level 0: Low level |
| 0 | 1: Level type 0: Edge type |

8.9.4 KBC(Mouse) Special Configuration Register (Index=F0h, Default=00h)

| Bit | Description |
|-----|---|
| 7-2 | Reserved with default "00h" |
| 1 | IRQ Type 1: IRQ sharing 0: Normal |
| 0 | Interrupt Type Change Enable 1: The interrupt type for KBC(Mouse) can be changed. 0: The interrupt type for KBC(Mouse) is fixed. |

8.10 GPIO Configuration Registers (LDN=07h)

8.10.1 SMI# Normal Run Access Base Address MSB Register (Index=60h, Default=00h)

| Bit | Description |
|-----|---|
| 7-4 | Read only as "0h" for Base Address [15:12] |
| 3-0 | Read/write , mapped as Base Address [11:8] |

8.10.2 SMI# Normal Run Access Base Address LSB Register (Index=61h, Default=00h)

| Bit | Description |
|-----|--|
| 7-2 | Read/write , mapped as Base Address [7:2] |
| 1-0 | Read only as "00b" |

8.10.3 Simple I/O Base Address MSB Register (Index=62h, Default=00h)

| Bit | Description |
|-----|---|
| 7-4 | Read only as "0h" for Base Address [15:12] |
| 3-0 | Read/write , mapped as Base Address [11:8] |

8.10.4 Simple I/O Base Address LSB Register (Index=63h, Default=00h)

| Bit | Description |
|-----|---|
| 7-0 | Read/write , mapped as Base Address[7:0] |

8.10.5 Serial Flash I/F Base Address MSB Register (Index=64h, Default=00h)

| Bit | Description |
|-----|---|
| 7-4 | Read only as "0h" for Base Address [15:12] |
| 3-0 | Read/write , mapped as Base Address [11:8] |

8.10.6 Serial Flash I/F Base Address LSB Register (Index=65h, Default=00h)

| Bit | Description |
|-----|--|
| 7-3 | Read/write , mapped as Base Address [7:3] |
| 2-0 | Read only as "000b" |

8.10.7 Panel Button De-bounce Interrupt Level Select Register (Index=70h, Default=00h)

| Bit | Description |
|-----|---|
| 7-4 | Reserved |
| 3-0 | Interrupt Level Select for Panel Button De-bounce Please refer to Table 8-15. Interrupt Level Mapping Table on page 81. |

8.10.8 Watch Dog Timer Control Register (Index=71h, Default=00h)

| Bit | Description |
|-----|---|
| 7 | WDT is reset upon a CIR interrupt. |
| 6 | WDT is reset upon a KBC(Mouse) interrupt. |
| 5 | WDT is reset upon a KBC(Keyboard) interrupt. |
| 4 | WDT Status will not be cleared by VCCOK or LRESET#, and only be cleared while write one to WDT Status 1: Enable 0: Disable |
| 3-2 | Reserved |
| 1 | Force Time-out This bit is self-cleared. |
| 0 | WDT Status 1: WDT value is equal to 0. 0: WDT value is not is equal to 0. |

8.10.9 Watch Dog Timer Configuration Register (Index=72h, Default=001s0000b)

| Bit | Description |
|-----|---|
| 7 | WDT Time-out Value Select 1 1: Second 0: Minute |
| 6 | WDT Output through KRST (pulse) Enable 1: Enable 0: Disable |
| 5 | WDT Time-out Value Extra Select 1: 62.5ms x WDT Timer-out value (default = 3.5s) 0: Determined by WDT Time-out value select 1 (bit 7 of this register) |
| 4 | WDT Output through PWRGD Enable 1: Enable 0: Disable <i>During LRESET# this bit is selected by JP2 power-on strapping option.</i> |
| 3-0 | Interrupt Level Select for WDT Please refer to Table 8-15. Interrupt Level Mapping Table on page 81. |

8.10.10 Watch Dog Timer Time-out Value (LSB) Register (Index=73h, Default=38h)

| Bit | Description |
|-----|-------------------------------|
| 7-0 | WDT Time-out Value 7-0 |

8.10.11 Watch Dog Timer Time-out Value (MSB) Register (Index=74h, Default=00h)

| Bit | Description |
|-----|--------------------------------|
| 7-0 | WDT Time-out Value 15-8 |

8.10.12 GPIO Pin Set 1, 2, 3, 4, and 5 Polarity Registers (Index=B0h, B1h, B2h, B3h and B4h, Default=00h)

These registers are to program the GPIO pin type for polarity inverting or non-inverting.

| Bit | Description |
|-----|---|
| 7-0 | GPIO Polarity Select 1: Inverting 0: Non-inverting |

8.10.13 GPIO Pin Set 1, 2, 3, 4, 5 and 6 Pin Internal Pull-up Enable Registers (Index=B8h, B9h, BAh, BBh, BCh, BDh, Default=20h, 00h, 00h, 00h, 00h, and 00h)

These registers are to enable the GPIO pin internal pull-up except for GP56, GP57, GP60, and GP61, which have no internal pull-up.

| Bit | Description |
|-----|---|
| 7-0 | GPIO Pin Internal Pull-up 1: Enable 0: Disable |

8.10.14 Simple I/O Set 1, 2, 3, 4 and 5 Enable Registers (Index=C0h, C1h, C2h, C3h and C4h, Default=01h, 00h, 00h, 40h, and 00h)

These registers are to select the function as the Simple I/O function or the Alternate function.

| Bit | Description |
|-----|---|
| 7-0 | 1: Simple I/O function 0: Alternate function |

8.10.15 Simple I/O Set 1, 2, 3, 4, 5, 6, 7 and 8 Output Enable Registers (Index=C8h, C9h, CAh, CBh, CCh, CDh, CEh and CFh, Default=01h, 00h, 00h, 40h, 00h, 00h, 00h and 00h)

These registers are to determine the direction of the Simple I/O.

| Bit | Description |
|-----|---------------------------------|
| 7-0 | 0: Input mode 1: Output mode |

8.10.16 Panel Button De-bounce 0 Input Pin Mapping Register (Index=E0h, Default=00h)

| Bit | Description |
|-----|---|
| 7 | Reserved |
| 6 | IRQ Enable |
| 5-0 | Input Pin Location Please refer to Table 8-17 Location Mapping Table on page 82. |

8.10.17 Panel Button De-bounce 1 Input Pin Mapping Register (Index=E1h, Default=00h)

| Bit | Description |
|-----|---|
| 7-6 | Reserved |
| 5-0 | Input Pin Location Please refer to Table 8-17 Location Mapping Table on page 82. |

8.10.18 IRQ External Routing 1-0 Input Pin Mapping Registers (Index=E3h-E2h, Default=00h)

| Bit | Description |
|-----|---|
| 7 | Reserved |
| 6 | IRQ Enable |
| 5-0 | Input Pin Location Please refer to Table 8-17 Location Mapping Table on page 82. |

8.10.19 IRQ External Routing 1-0 Interrupt Level Selection Registers (Index=E4h, Default=00h)

| Bit | Description |
|-----|---|
| 7-4 | Interrupt Level Select for IRQ External Routing 1 Please refer to Table 8-15. Interrupt Level Mapping Table on page 81. |
| 3-0 | Interrupt Level Select for IRQ External Routing 0 Please refer to Table 8-15. Interrupt Level Mapping Table on page 81. |

8.10.20 SMI# Control Register 1 (Index=F0h, Default=00h)

| Bit | Description |
|-----|---|
| 7 | This bit is to enable the generation of an SMI# due to Serial Port 3's IRQ (EN_S3IRQ). |
| 6 | This bit is to enable the generation of an SMI# due to KBC(Mouse)'s IRQ (EN_MIRQ). |
| 5 | This bit is to enable the generation of an SMI# due to KBC(Keyboard)'s IRQ (EN_KIRQ). |
| 4 | This bit is to enable the generation of an SMI# due to Environment Controller's IRQ (EN_ECIRQ). |
| 3 | This bit is to enable the generation of an SMI# due to Parallel Port's IRQ (EN_PIRQ). |
| 2 | This bit is to enable the generation of an SMI# due to Serial Port 2's IRQ (EN_S2IRQ). |
| 1 | This bit is to enable the generation of an SMI# due to Serial Port 1's IRQ (EN_S1IRQ). |
| 0 | Reserved |

8.10.21 SMI# Control Register 2 (Index=F1h, Default=00h)

| Bit | Description |
|-----|--|
| 7 | Reserved |
| 6 | 0: Edge trigger 1: Level trigger |
| 5 | This bit is to enable the generation of an SMI# due to Serial Port 6's IRQ (EN_S6IRQ). |
| 4 | This bit is to enable the generation of an SMI# due to Serial Port 5's IRQ (EN_S5IRQ). |
| 3 | This bit is to enable the generation of an SMI# due to Serial Port 4's IRQ (EN_S4IRQ). |
| 2 | This bit is to enable the generation of an SMI# due to WDT's IRQ (EN_WDT). |
| 1 | This bit is to enable the generation of an SMI# due to CIR's IRQ (EN_CIR). |
| 0 | This bit is to enable the generation of an SMI# due to PBD's IRQ (EN_PBD). |

8.10.22 SMI# Status Register 1 (Index=F2h, Default=00h)

This register is used to read the status of SMI# inputs.

| Bit | Description |
|-----|------------------------------|
| 7 | Serial Port 3's IRQ |
| 6 | KBC (PS/2 Mouse)'s IRQ |
| 5 | KBC(Keyboard)'s IRQ |
| 4 | Environment Controller's IRQ |
| 3 | Parallel Port's IRQ |
| 2 | Serial Port 2's IRQ |
| 1 | Serial Port 1's IRQ |
| 0 | Reserved |

8.10.23 SMI# Status Register 2 (Index=F3h, Default=00h)

This register is used to read the status of SMI# inputs.

| Bit | Description |
|-----|---|
| 7-6 | Panel Button De-bounce Status 1-0 Writing 1 will reset the status. 0: None detected 1: Detected |
| 5 | Serial Port 6's IRQ |
| 4 | Serial Port 5's IRQ |
| 3 | Serial Port 4's IRQ |
| 2 | WDT's IRQ |
| 1 | CIR's IRQ |
| 0 | PBD's IRQ |

8.10.24 SMI# Pin Mapping Register (Index=F4h, Default=00h)

| Bit | Description |
|-----|--|
| 7-6 | Reserved |
| 5-0 | SMI# Pin Location Please refer to Table 8-17 Location Mapping Table on page 82. |

8.10.25 Hardware Monitor Thermal Output Pin Mapping Register (Index=F5h, Default=00h)

| Bit | Description |
|-----|--|
| 7-6 | Reserved |
| 5-0 | Thermal Output Pin Location Please refer to Table 8-17 Location Mapping Table on page 82. |

8.10.26 Hardware Monitor Alert Beep Pin Mapping Register (Index=F6h, Default=00h)

| Bit | Description |
|-----|--|
| 7-6 | Reserved |
| 5-0 | Alert Beep Pin Location Please refer to Table 8-17 Location Mapping Table on page 92. |

8.10.27 Keyboard Lock Pin Mapping Register (Index=F7h, Default=00h)

| Bit | Description |
|-----|---|
| 7-6 | Reserved |
| 5-0 | Keyboard Lock Pin Location Please refer to Table 8-17 Location Mapping Table on page 92. |

8.10.28 GP LED Blinking 1 Pin Mapping Register (Index=F8h, Default=00h)

| Bit | Description |
|-----|---|
| 7-6 | Reserved |
| 5-0 | GP LED Blinking 1 Location Please refer to Table 8-17 Location Mapping Table on page 92. |

8.10.29 GP LED Blinking 1 Control Register (Index=F9h, Default=00h)

| Bit | Description |
|-----|---|
| 7-4 | Reserved |
| 3 | GP LED Blinking 1 Short Low Pulse Enable |
| 2-1 | GP LED 1 Frequency Control 00: 4 Hz 01: 1 Hz 10: 1/4 Hz 11: 1/8 Hz |
| 0 | GP LED Blinking 1 Output Low Enable |

8.10.30 GP LED Blinking 2 Pin Mapping Register (Index=FAh, Default=00h)

| Bit | Description |
|-----|---|
| 7-6 | Reserved |
| 5-0 | GP LED Blinking 2 Location Please refer to Table 8-17 Location Mapping Table on page 92. |

8.10.31 GP LED Blinking 2 Control Register (Index=FBh, Default=00h)

| Bit | Description |
|-----|--|
| 7-4 | Reserved |
| 3 | GP LED Blinking 2 Short Low Pulse Enable |
| 2-1 | GP LED 2 Frequency Control 00: 4 Hz 01: 1 Hz 10: 1/4 Hz 11: 1/2 Hz |
| 0 | GP LED Blinking 2 Output Low Enable |

8.11 Serial Port 3 Configuration Registers (LDN=08h)

8.11.1 Serial Port 3 Activate (Index=30h, Default=00h)

| Bit | Description |
|-----|--|
| 7-1 | Reserved |
| 0 | Serial Port 3 Enable 1: Enable 0: Disable |

8.11.2 Serial Port 3 Base Address MSB Register (Index=60h, Default=03h)

| Bit | Description |
|-----|--|
| 7-4 | Read only as "0h" for Base Address[15:12] |
| 3-0 | Read/write , mapped as Base Address[11:8] |

8.11.3 Serial Port 3 Base Address LSB Register (Index=61h, Default=F8h)

| Bit | Description |
|-----|---|
| 7-3 | Read/write , mapped as Base Address[7:3] |
| 2-0 | Read only as "000b" |

8.11.4 Serial Port 3 Interrupt Level Select (Index=70h, Default=04h)

| Bit | Description |
|-----|---|
| 7-4 | Reserved with default "0h" |
| 3-0 | Interrupt Select Level for Serial Port 3 Please refer to Table 8-15. Interrupt Level Mapping Table. |

8.11.5 Serial Port 3 Special Configuration Register 1 (Index=F0h, Default=00h)

| Bit | Description |
|-----|--|
| 7 | RS485 Mode 1: Enable 0: Disable |
| 6 | RTS# Polarity (for RS 485 Mode Only) 0: Normal 1: Inverted |
| 5-4 | Serial Port 3 Mode 00: Standard (default) Else : Reserved Please refer to Note 8-1 for the detail. |
| 3 | 9-Bit Multi-Drops Mode 1: Enable 0: Disable |
| 2-1 | Clock Source 00: 24 MHz/13 (Standard) 01: 24 MHz/12 10: Reserved 11: Reserved |
| 0 | IRQ Type 1: IRQ sharing 0: Normal |

8.11.6 Serial Port 3 Interrupt Type Register (Index=F1h, Default=50h)

| Bit | Description |
|-----|-------------------------------|
| 7-2 | Reserved |
| 1 | 1: Low level 0: High level |
| 0 | 1: Edge type 0: Level type |

8.11.7 Serial Port 3 9-Bit Multi-Drops Slave Address Register (Index=F2h, Default=00h)

| Bit | Description |
|-----|--|
| 7-0 | 9-Bit Multi-Drops Slave Address Register |

8.12 Serial Port 4 Configuration Registers (LDN=09h)

8.12.1 Serial Port 4 Activate (Index=30h, Default=00h)

| Bit | Description |
|-----|--|
| 7-1 | Reserved |
| 0 | Serial Port 4 Enable 1: Enable 0: Disable |

8.12.2 Serial Port 4 Base Address MSB Register (Index=60h, Default=02h)

| Bit | Description |
|-----|--|
| 7-4 | Read only as "0h" for Base Address[15:12] |
| 3-0 | Read/write , mapped as Base Address[11:8] |

8.12.3 Serial Port 4 Base Address LSB Register (Index=61h, Default=F8h)

| Bit | Description |
|-----|---|
| 7-3 | Read/write , mapped as Base Address[7:3] |
| 2-0 | Read only as "000b" |

8.12.4 Serial Port 4 Interrupt Level Select (Index=70h, Default=04h)

| Bit | Description |
|-----|---|
| 7-4 | Reserved with default "0h" |
| 3-0 | Interrupt Select Level for Serial Port 4 Please refer to Table 8-15. Interrupt Level Mapping Table. |

8.12.5 Serial Port 4 Special Configuration Register 1 (Index=F0h, Default=00h)

| Bit | Description |
|-----|--|
| 7 | RS485 Mode 1: Enable 0: Disable |
| 6 | RTS# Polarity (for RS 485 Mode Only) 0: Normal 1: Inverted |
| 5-4 | Serial Port 4 Mode 00: Standard (default) Else : Reserved Please refer to Note 8-1 for the detail. |
| 3 | 9-Bit Multi-Drops Mode 1: Enable 0: Disable |
| 2-1 | Clock Source 00: 24 MHz/13 (Standard) 01: 24 MHz/12 10: Reserved 11: Reserved |
| 0 | IRQ Type 1: IRQ sharing 0: Normal |

8.12.6 Serial Port 4 Interrupt Type Register (Index=F1h, Default=50h)

| Bit | Description |
|-----|-------------------------------|
| 7-2 | Reserved |
| 1 | 1: Low level 0: High level |
| 0 | 1: Edge type 0: Level type |

8.12.7 Serial Port 4 9-Bit Multi-Drops Slave Address Register (Index=F2h, Default=00h)

| Bit | Description |
|-----|--|
| 7-0 | 9-Bit Multi-Drops Slave Address Register |

8.13 Consumer IR Configuration Registers (LDN=0Ah)

8.13.1 Consumer IR Activate (Index=30h, Default=00h)

| Bit | Description |
|-----|--|
| 7-1 | Reserved |
| 0 | Consumer IR Enable 1: Enable 0: Disable |

8.13.2 Consumer IR Base Address MSB Register (Index=60h, Default=03h)

| Bit | Description |
|-----|--|
| 7-4 | Read only with "0h" for Base Address[15:12] |
| 3-0 | Read/write , mapped as Base Address[11:8] |

8.13.3 Consumer IR Base Address LSB Register (Index=61h, Default=10h)

| Bit | Description |
|-----|---|
| 7-3 | Read/write , mapped as Base Address[7:3] |
| 2-0 | Read only as "00b" |

8.13.4 Consumer IR Interrupt Level Select (Index=70h, Default=0Bh)

| Bit | Description |
|-----|---|
| 7-4 | Reserved with default "0h" |
| 3-0 | Interrupt Level Select for Consumer IR Please refer to Table 8-15. Interrupt Level Mapping Table. |

8.13.5 Consumer IR Special Configuration Register (Index=F0h, Default=06h)

| Bit | Description |
|-----|--|
| 7-1 | Reserved with default "00h" |
| 0 | IRQ Type 1: IRQ sharing 0: Normal |

8.14 Serial Port 5 Configuration Registers (LDN=0Bh)

8.14.1 Serial Port 5 Activate (Index=30h, Default=00h)

| Bit | Description |
|-----|--|
| 7-1 | Reserved |
| 0 | Serial Port 5 Enable 1: Enable 0: Disable |

8.14.2 Serial Port 5 Base Address MSB Register (Index=60h, Default=03h)

| Bit | Description |
|-----|--|
| 7-4 | Read only as "0h" for Base Address[15:12] |
| 3-0 | Read/write , mapped as Base Address[11:8] |

8.14.3 Serial Port 5 Base Address LSB Register (Index=61h, Default=F8h)

| Bit | Description |
|-----|---|
| 7-3 | Read/write , mapped as Base Address[7:3] |
| 2-0 | Read only as "000b" |

8.14.4 Serial Port 5 Interrupt Level Select (Index=70h, Default=04h)

| Bit | Description |
|-----|---|
| 7-4 | Reserved with default "0h" |
| 3-0 | Interrupt Select Level for Serial Port 5 Please refer to Table 8-15. Interrupt Level Mapping Table. |

8.14.5 Serial Port 5 Special Configuration Register 1 (Index=F0h, Default=00h)

| Bit | Description |
|-----|--|
| 7 | RS485 Mode 1: Enable 0: Disable |
| 6 | RTS# Polarity (for RS 485 Mode Only) 0: Normal 1: Inverted |
| 5-4 | Serial Port 5 Mode 00: Standard (default) Else : Reserved Please refer to Note 8-1 for the detail. |
| 3 | 9-Bit Multi-Drops Mode 1: Enable 0: Disable |
| 2-1 | Clock Source 00: 24 MHz/13 (Standard) 01: 24 MHz/12 10: Reserved 11: Reserved |
| 0 | IRQ Type 1: IRQ sharing 0: Normal |

8.14.6 Serial Port 5 Interrupt Type Register (Index=F1h, Default=50h)

| Bit | Description |
|-----|-------------------------------|
| 7-2 | Reserved |
| 1 | 1: Low level 0: High level |
| 0 | 1: Edge type 0: Level type |

8.14.7 Serial Port 5 9-Bit Multi-Drops Slave Address Register (Index=F2h, Default=00h)

| Bit | Description |
|-----|--|
| 7-0 | 9-Bit Multi-Drops Slave Address Register |

8.15 Serial Port 6 Configuration Registers (LDN=0Ch)

8.15.1 Serial Port 1 Activate (Index=30h, Default=00h)

| Bit | Description |
|-----|--|
| 7-1 | Reserved |
| 0 | Serial Port 6 Enable 1: Enable 0: Disable |

8.15.2 Serial Port 6 Base Address MSB Register (Index=60h, Default=02h)

| Bit | Description |
|-----|--|
| 7-4 | Read only as "0h" for Base Address[15:12] |
| 3-0 | Read/write , mapped as Base Address[11:8] |

8.15.3 Serial Port 6 Base Address LSB Register (Index=61h, Default=F8h)

| Bit | Description |
|-----|---|
| 7-3 | Read/write , mapped as Base Address[7:3] |
| 2-0 | Read only as "000b" |

8.15.4 Serial Port 6 Interrupt Level Select (Index=70h, Default=04h)

| Bit | Description |
|-----|---|
| 7-4 | Reserved with default "0h" |
| 3-0 | Interrupt Select Level for Serial Port 6 Please refer to Table 8-15. Interrupt Level Mapping Table. |

8.15.5 Serial Port 6 Special Configuration Register 1 (Index=F0h, Default=00h)

| Bit | Description |
|-----|--|
| 7 | RS485 Mode 1: Enable 0: Disable |
| 6 | RTS# Polarity (for RS 485 Mode Only) 0: Normal 1: Inverted |
| 5-4 | Serial Port 6 Mode 00: Standard (default) Else : Reserved Please refer to Note 8-1 for the detail. |
| 3 | 9-Bit Multi-Drops Mode 1: Enable 0: Disable |
| 2-1 | Clock Source 00: 24 MHz/13 (Standard) 01: 24 MHz/12 10: Reserved 11: Reserved |
| 0 | IRQ Type 1: IRQ sharing 0: Normal |

8.15.6 Serial Port 6 Interrupt Type Register (Index=F1h, Default=50h)

| Bit | Description |
|-----|-------------------------------|
| 7-2 | Reserved |
| 1 | 1: Low level 0: High level |
| 0 | 1: Edge type 0: Level type |

8.15.7 Serial Port 6 9-Bit Multi-Drops Slave Address Register (Index=F2h, Default=00h)

| Bit | Description |
|-----|--|
| 7-0 | 9-Bit Multi-Drops Slave Address Register |

Note 8-1

Except the standard mode, COM1 ~ COM6 cannot be selected in the same mode.

Table 8-15. Interrupt Level Mapping Table

| Value | Description |
|-------|-----------------------|
| Fh-Dh | Not Valid |
| Ch | IRQ12 |
| 3h | IRQ3 |
| 2h | Not Valid |
| 1h | IRQ1 |
| 0h | No Interrupt Selected |
| Else | Not Valid |

Table 8-16. DMA Channel Mapping Table

| Value | Description |
|-------|-------------------------|
| 7h-5h | Invalid |
| 4h | No DMA Channel Selected |
| 3h | DMA3 |
| 2h | DMA2 |
| 1h | DMA1 |
| 0h | DMA0 |

Table 8-17 Location Mapping Table

| Location | Description |
|----------|----------------------------------|
| 001 000 | GP10 (Pin 81). Powered by 3VSB. |
| 001 001 | GP11 (Pin 59). |
| 001 010 | GP12 (Pin 30). |
| 001 011 | Reserved |
| 001 100 | GP14 (Pin 22). |
| 001 101 | GP15 (Pin 128). |
| 001 110 | GP16 (Pin 127). |
| 001 111 | GP17 (Pin 14). |
| 010 000 | GP20 (Pin 15). Powered by 3VSB. |
| 010 001 | GP21 (Pin 13). Powered by 3VSB. |
| 010 010 | GP22 (Pin 62). Powered by 3VSB. |
| 010 011 | GP23 (Pin 8). Powered by 3VSB. |
| 010 100 | GP24 (Pin 17). Powered by 3VSB. |
| 010 101 | GP25 (Pin 18). Powered by 3VSB. |
| 010 110 | GP26 (Pin 60). Powered by 3VSB. |
| 010 111 | GP27 (Pin 126). Powered by 3VSB. |
| 011 000 | GP30 (Pin 12). |
| 011 001 | GP31 (Pin 120). |
| 011 010 | GP32 (Pin 117). |
| 011 011 | GP33 (Pin 114). |
| 011 100 | GP34 (Pin 26). |
| 011 101 | GP35 (Pin 67). |
| 011 110 | GP36 (Pin 7). |
| 011 111 | GP37 (Pin 6). |
| 100 000 | GP40 (Pin 76). Powered by 3VSB. |
| 100 001 | GP41 (Pin 56). Powered by 3VSB. |
| 100 010 | GP42 (Pin 73). Powered by 3VSB. |
| 100 011 | GP43 (Pin 72). Powered by 3VSB. |
| 100 100 | GP44 (Pin 69). Powered by 3VSB. |
| 100 101 | GP45 (Pin 123). Powered by 3VSB. |
| 100 111 | GP47 (Pin 116). |
| 101 000 | GP50 (Pin 115). |
| 101 001 | GP51 (Pin 5). |
| 101 010 | GP52 (Pin 4). |
| 101 011 | GP53 (Pin 74). Powered by 3VSB. |
| 101 100 | GP54 (Pin 70). Powered by 3VSB. |
| 101 101 | GP55 (Pin 82). Powered by 3VSB. |
| 101 110 | GP56 (Pin 80). |
| 101 111 | GP57 (Pin 79). |
| Else | Reserved |

9. Functional Description

9.1 LPC Interface

The IT8786E-I supports the peripheral side of the LPC I/F as described in the LPC Interface Specification Rev.1.1. In addition to the required signals (LAD3-0, LFRAME#, LRESET#, LCLK (the same as PCICLK.)), the IT8786E-I also supports LDRQ#, SERIRQ and PME#.

9.1.1 LPC Transactions

The IT8786E-I supports the required transfer cycle types described in the LPC I/F specification. Memory read and Memory write cycles are used for the Flash I/F. I/O read and I/O write cycles are used for the programmed I/O cycles. DMA read and DMA write cycles are used for DMA cycles. All of these cycles are characteristic of the single byte transfer.

For LPC host I/O read or write transactions, the Super I/O module processes a positive decoding, and the LPC interface can respond to the result of the current transaction by sending out SYNC values on LAD[3:0] signals or leave LAD[3:0] tri-state depending on its result.

For DMA read or write transactions, the LPC interface will react according to the DMA requests from the DMA devices in the Super I/O modules, and decide whether to ignore the current transaction or not.

The ECP is an 8-bit DMA devices, so if the LPC Host initializes a DMA transaction with data size of 16/32 bits, the LPC interface will process the first 8-bit data and respond with an SYNC ready (0000b) which will terminate the DMA burst. The LPC interface will then re-issue another LDRQ# message to assert DREQn after finishing the current DMA transaction.

9.1.2 LDRQ# Encoding

The Super I/O module provides one DMA device: the ECP. The LPC Interface provides LDRQ# encoding to reflect the DREQ[3:0] status. Two LDRQ# messages or different DMA channels may be issued back-to-back to trace DMA requests quickly. Nevertheless, four PCI clocks will be inserted between two LDRQ# messages of the same DMA channel to guarantee that there are at least 10 PCI clocks for one DMA request to change its status. (The LPC host will decode these LDRQ# messages, and send those decoded DREQn to the legacy DMA controller which runs at 4 MHz or 33/8 MHz).

9.2 Serialized IRQ

The IT8786E-I follows the specification of Serialized IRQ Support for PCI System, Rev. 6.0, September 1, 1995, to support the serialized IRQ feature, and is able to interface most PC chipsets. The IT8786E-I encodes the parallel interrupts to an SERIRQ which will be decoded by the chipset with built-in Interrupt Controllers (two 8259 compatible modules).

9.2.1 Continuous Mode

When in the Continuous mode, the SIRQ host initiates the Start frame of each SERIRQ sequence after sending out the Stop frame by itself. (The next Start frame may or may not begin immediately after the turn-around state of the current Stop frame.) The SERIRQ is always activated and SIRQ host keeps polling all the IRQn and system events, even though no IRQn status is changed. The SERIRQ enters the Continuous mode following a system reset.

9.2.2 Quiet Mode

In the Quiet mode, when the situation that one SIRQ Slave detects its input IRQn/events have been changed happens, it may initiate the first clock of Start frame. The SIRQ host can then follow to complete the SERIRQ sequence. In the Quiet mode, the SERIRQ has no activity following the Stop frame until it is initiated by SIRQ Slave, which implies low activity = low mode power consumption.

9.2.3 Waveform Samples of SERIRQ Sequence

Figure 9-1. Start Frame Timing

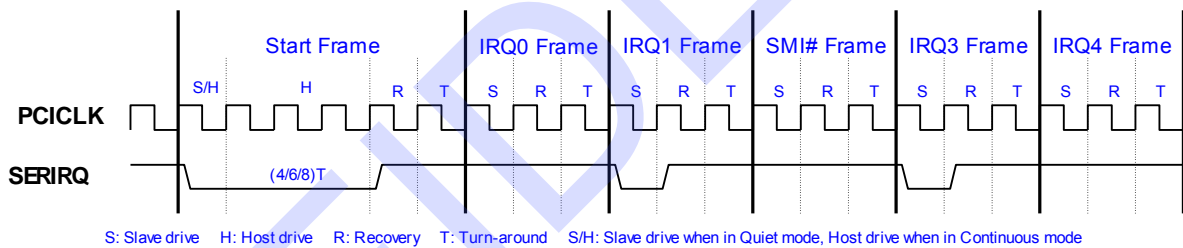
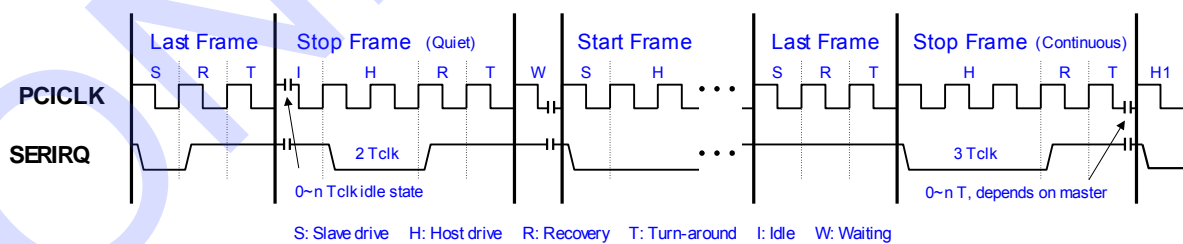


Figure 9-2. Stop Frame Timing



9.2.4 SERIRQ Sampling Slot

| Slot Number | IRQn/ Events | #of Clocks Past Start | IT8786E-I |
|-------------|-----------------|--------------------------|-----------|
| 1 | IRQ0 | 2 | - |
| 2 | IRQ1 | 5 | Y |
| 3 | SMI# | 8 | Y |
| 4 | IRQ3 | 11 | Y |
| 5 | IRQ4 | 14 | Y |
| 6 | IRQ5 | 17 | Y |
| 7 | IRQ6 | 20 | Y |
| 8 | IRQ7 | 23 | Y |
| 9 | IRQ8 | 26 | Y |
| 10 | IRQ9 | 29 | Y |
| 11 | IRQ10 | 32 | Y |
| 12 | IRQ11 | 35 | Y |
| 13 | IRQ12 | 38 | Y |
| 14 | IRQ13 | 41 | - |
| 15 | IRQ14 | 44 | Y |
| 16 | IRQ15 | 47 | Y |
| 17 | IOCHCK# | 50 | - |
| 18 | INTA# | 53 | - |
| 19 | INTB# | 56 | - |
| 20 | INTC# | 59 | - |
| 21 | INTD# | 62 | - |
| 32:22 | Unassigned | 95 / 65 | - |

9.3 General Purpose I/O

The IT8786E-I provides eight sets of flexible I/O control and special functions for the system designers via a set of multi-functional General Purpose I/O pins (GPIO). The GPIO functions will not be performed unless the related enable bits of the GPIO Multi-function Pin Selection registers (Index 25h, 26h, 27h, 28h and 29h of the Global Configuration Registers) are set. The GPIO functions include the simple I/O function and alternate function, and the function selection is determined by the Simple I/O Enable Registers (LDN=07h, Index=C0h, C1h, C2h, C3h and C4h).

The Simple I/O function includes a set of registers, which correspond to the GPIO pins. All control bits are divided into eight registers. The accessed I/O ports are programmable and are five consecutive I/O ports (Base Address+0, Base Address+1, Base Address+2, Base Address+3, Base Address+4, Base Address+5, Base Address+6, Base Address+7). Base Address is programmed on the registers of GPIO Simple I/O Base Address LSB and MSB registers (LDN=07h, Index=62h and 63h).

The Alternate function provides several special functions for users, including Watch Dog Timer, SMI# output routing, External Interrupt routing, Panel Button De-bounce, Keyboard Lock input routing, LED Blinking, Thermal output routing, and Beep output routing. The last two are sub-functions of the Hardware Monitor. (GPIO set 6, 7, 8 support the simple I/O function only.)

The Panel Button De-bounce is an input function. After it is enabled, a related status bit will be set when an active low pulse is detected on the GPIO pin. The status bits will be cleared by writing 1's to them. Panel Button De-bounce Interrupt will be issued if any of the status bit is set. However, the newly set status will not issue another interrupt unless the previous status bit is cleared before being set.

The Key Lock function locks the keyboard to inhibit the keyboard interface. The way of programming is to set bit 2 on the register Index F0h of KBC(Keyboard) (LDN=5). The pin location mapping, Index F7h also must be programmed correctly.

The Blinking function provides a low frequency blink output. By connecting to some external components, it can be used to control a power LED. There are several frequencies for selection.

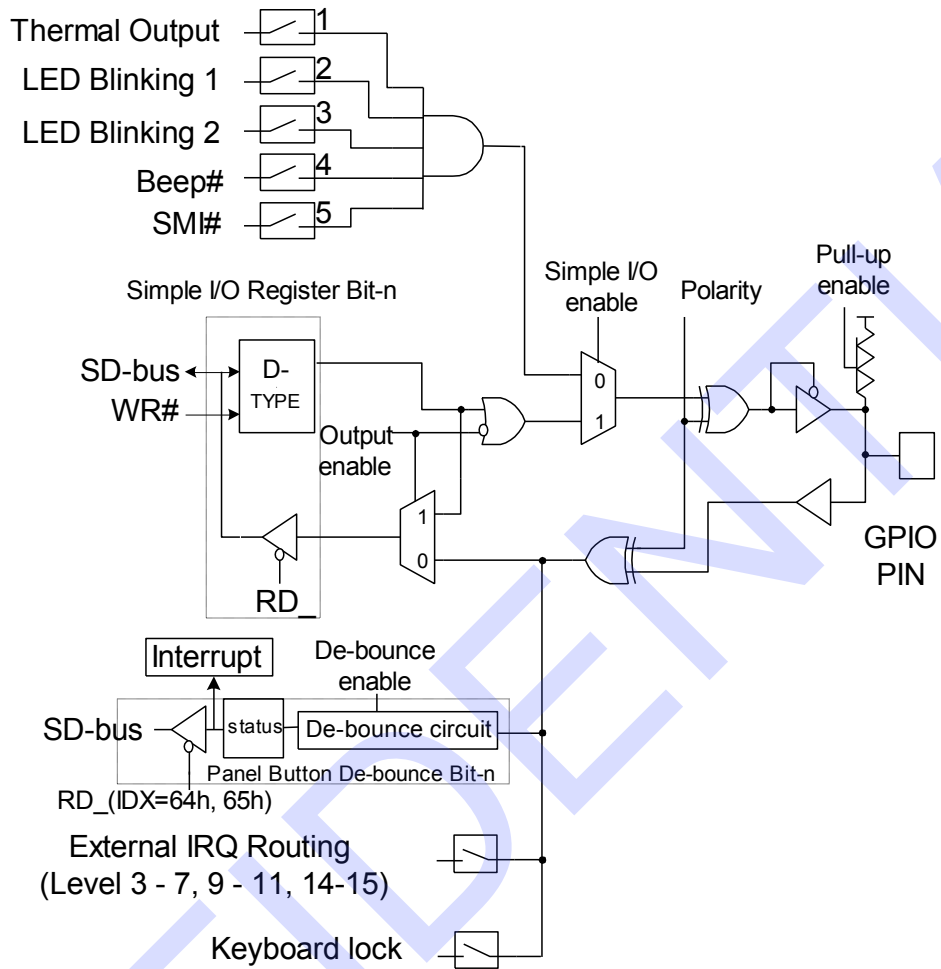
The Watch Dog Timer (WDT) function is constituted by a time counter, a time-out status register, and the timer reset control logic. The time-out status bit may be mapped to an interrupt or KRST# through the WDT configuration register. The WDT has a programmable time-out ranging from 1 to 65535 minutes or 1 to 65535 seconds. The unit, either a minute or a second, is also programmable via bit 7 of the WDT configuration register. When the WDT Time-out Value register is set to a non-zero value, the WDT loads the value and begin counting down from the value. When the value reaches to 0, the WDT status register will be set. There are several system events including a CIR interrupt, a Keyboard Interrupt, a Mouse Interrupt that can reload the non-zero value into the WDT. The effect on the WDT for each of the events may be enabled or disabled through bits in the WDT control register. No matter what the value in the time counter is, the host may force a time-out to occur by writing a "1" to bit 1 of the WDT configuration register.

The External Interrupt routing function provides a useful feature for motherboard designers. Through this function, the parallel interrupts of other on-board devices can be easily re-routed into the Serial IRQ.

The SMI# is a non-maskable interrupt dedicated to the transparent power management. It consists of different enabled interrupts generated from each of the functional blocks in the IT8786E-I. The interrupts are redirected as the SMI# output via the SMI# Control Register 1 and SMI# Control Register 2. The SMI# Status Register 1 and 2 are used to read the status of the SMI input event. All the SMI# Status Register bits can be cleared when the corresponding source events become invalidated. These bits can also be cleared by writing 1 to bit 7 of SMI# Control Register 2 no matter whether the events of the corresponding sources are invalidated or not. The SMI# events can be programmed as the pulse mode or level mode whenever an SMI# event occurs. The logic equation of the SMI# event is described below:

$$\text{SMI\# event} = (\text{EN_FIRQ and FIRQ}) \text{ or } (\text{EN_S1IRQ and S1IRQ}) \text{ or } (\text{EN_S2IRQ and S2IRQ}) \text{ or } (\text{EN_PIRQ and PIRQ}) \text{ or } (\text{EN_EC and EC_SMI}) \text{ or } (\text{EN_PBDIRQ or PBDIRQ}) \text{ or } (\text{EN_KIRQ and KIRQ}) \text{ or } (\text{EN_MIRQ and MIRQ}) \text{ or } (\text{EN_CIR and CIR_IRQ}) \text{ or } (\text{EN_WDT and WDT_IRQ})$$

Figure 9-3. General Logic of GPIO Function



9.4 Advanced Power Supply Control and Power Management Event (PME#)

The circuit for advanced power supply control (APC) provides power-up events including Keyboard, Mouse, CIR and RI1#. When any of these events is activated, PWRON# will perform a low state until AVCC3 is switched to the ON state.

Here are the details of these events:

1. Detection of KCLK edge or special pattern of KCLK and KDAT. The special pattern of KCLK means pressing pre-set key string sequentially, and KDAT means pressing pre-set keys simultaneously.
2. Detection of MCLK edge or special pattern of MCLK and MDAT. The special pattern of MCLK and MDAT means clicking on any mouse button twice sequentially.
3. Receiving CIR pattern matches the previous one stored at the APC/PME Special Code Index and Data Register.
4. Detection of RI1# falling edge.

The PANSWH# and PSON# are especially designed for the system. PANSWH# serves as a main power switch input, which is wire-AND to the APC output PWRON#. PSON# is the ATX Power control output, which is a power-failure gating circuit. The power-failure gating circuit is responsible for gating the SUSB# input until PANSWH# becomes active when the 3VSB is switched from OFF to ON.

The power-failure gating circuit can be disabled by setting the APC/PME Control Register 2 (LDN=04h, index F4h, bit 5). The gating circuit also provides an auto-restore function. After bit 5 of PCR1 is set, the previous PSON# state will be restored when the 3VSB is switched from OFF to ON.

The Mask PWRON# Activation bit (bit 4 of PCR 1) is used to mask all power-up events except switch-on event when the 3VSB state is just switched from FAIL to OFF. In other words, when this bit is set and the power state is switched from FAIL to OFF, the only validated function is PANSWH#.

The PCR2 register is responsible for determining the keyboard power-up event and APC conditions. Bit 4 is used to mask the PANSWH# power-on event on the PWRON# pin. To enable this bit, the keyboard power-up event should be enabled and set by (1) pressing pre-set key string sequentially or (2) stroking pre-set keys simultaneously. The APC/PME# special code index and data registers are used to specify the special key codes in the special power-up events of (1) pressing pre-set key string sequentially or (2) stroking pre-set keys simultaneously.

A CIR event is generated if the input CIR RX pattern is the same as that previously stored at PME Special Code Index and Data Registers (LDN=04h, Index=F5h and F6h). The total maximum physical codes are nineteen bytes (from Index 20h to 32h). The first byte (Index 20h) is used to specify the pattern length (in bytes). Bit 7-4 are used when AVCC3 is on and Bit 3-0 when AVCC3 goes OFF. The length represented in each 4-bit will be incremented by 3 internally as the actual length is to be compared. For most of the CIR protocols, the first several bytes are always the same for each key (or pattern). The differences are always in the last several bytes. Thus, the system designer can program the IT8786E-I to generate a CIR PME# event as any keys when AVCC3 is ON and a special key (i.e. POWER-ON) when AVCC3 is OFF.

All APC registers (Index=F0h, F2h, F4h, F5h, F6h, FAh and FBh) are powered by back-up power (VBAT) when 3VSB is OFF.

PME# is used to wake up the system from low-power states (S1-S5). There will be five events of APC to generate PME#. A falling edge on these pins issues PME# events if the enable bits are set.

9.5 Environment Controller

The Environment Controller (EC), built in the IT8786E-I, includes five voltage inputs, three temperature sensor inputs, five FAN Tachometer inputs, and five sets of advanced FAN Controllers. The EC monitors the hardware environment and implements the environmental control for personal computers.

The IT8786E-I contains an 8-bit ADC (Analog-to-Digital Converter), which is responsible for monitoring the voltages and temperatures. The ADC converts the analog inputs ranging from 0V to 3.3V to 8-bit digital byte. With additional external components, the analog inputs can be made to monitor different voltage ranges, in addition to monitoring the fixed input range of 0V to 3.3V. Through external thermistors or thermal diodes, the temperature sensor inputs can be converted into 8-bit digital byte, enabling the sensor inputs to monitor the temperature of various components. A built-in ROM is also provided to adjust the non-linear characteristics of thermistors.

FAN Tachometer inputs are digital inputs with an acceptable range from 0V to 5V, and are responsible for measuring the FAN's Tachometer pulse periods.

The EC of the IT8786E-I provides multiple internal registers and an interrupt generator for programmers to monitor the environment and control the FANs. Both of the LPC Bus and Serial Bus interfaces are supported to accommodate the needs for various applications.

9.5.1 Interface

LPC Bus: The Environment Controller of the IT8786E-I decodes two addresses.

Table 9-1. Address Map on LPC Bus

| Register or Port | Address |
|------------------------|----------|
| Address register of EC | Base+05h |
| Data register of EC | Base+06h |

Note 1: The Base Address is determined by the Logical Device configuration registers of the Environment Controller (LDN=04h, registers index=60h, 61h).

To access an EC register, the address of the register is written to the address port (Base+05h). Read or write data from or to that register via data port (Base+06h).

9.5.2 Registers

9.5.2.1 Address Port (Base+05h, Default=00h)

| Bit | Description |
|-----|--|
| 7 | Outstanding; read only This bit is set when a data write is performed to Address Port via the LPC Bus. |
| 6-0 | Index Internal Address of RAM and Registers. |

Table 9-2. Environment Controller Registers

| Index | R/W | Default | Registers or Action |
|-------|-----|---------|---|
| 00h | R/W | 18h | Configuration Register |
| 01h | R | 00h | Interrupt Status Register 1 |
| 02h | R | 00h | Interrupt Status Register 2 |
| 03h | R | 00h | Interrupt Status Register 3 |
| 04h | R/W | 00h | SMI# Mask Register 1 |
| 05h | R/W | 00h | SMI# Mask Register 2 |
| 06h | R/W | 00h | SMI# Mask Register 3 |
| 07h | R/W | 00h | Interrupt Mask Interrupt Mask 1 |
| 08h | R/W | 00h | Interrupt Mask Interrupt Mask 2 |
| 09h | R/W | 80h | Interrupt Mask Interrupt Mask 3 |
| 0Ah | R/W | 58h | Interface Selection Register |
| 0Bh | R/W | 0Fh | Fan PWM Smoothing Step Frequency Selection Register |
| 0Ch | R/W | 00h | Fan Tachometer Control Register |
| 0Dh | R | - | Fan Tachometer 1 Reading Register |
| 0Eh | R | - | Fan Tachometer 2 Reading Register |
| 0Fh | R | - | Fan Tachometer 3 Reading Register |
| 10h | R/W | - | Fan Tachometer 1 Limit Register |
| 11h | R/W | - | Fan Tachometer 2 Limit Register |
| 12h | R/W | - | Fan Tachometer 3 Limit Register |
| 13h | R/W | 07h | Fan Controller Main Control Register |
| 14h | R/W | 40h | FAN_CTL Control Register |
| 15h | R/W | 00h | FAN_CTL1 PWM Control Register |
| 16h | R/W | 00h | FAN_CTL2 PWM Control Register |
| 17h | R/W | 00h | FAN_CTL3 PWM Control Register |
| 18h | R | - | Fan Tachometer 1 Extended Reading Register |
| 19h | R | - | Fan Tachometer 2 Extended Reading Register |
| 1Ah | R | - | Fan Tachometer 3 Extended Reading Register |
| 1Bh | R/W | - | Fan Tachometer 1 Extended Limit Register |
| 1Ch | R/W | - | Fan Tachometer 2 Extended Limit Register |
| 1Dh | R/W | - | Fan Tachometer 3 Extended Limit Register |
| 20h | R | - | VIN0 Voltage Reading Register |
| 21h | R | - | VIN1 Voltage Reading Register |
| 22h | R | - | VIN2 Voltage Reading Register |
| 23h | R | - | VIN3 Voltage Reading Register |
| 24h | R | - | VIN4 Voltage Reading Register |
| 27h | R | - | 3VSB Voltage Reading Register |
| 28h | R | - | VBAT Voltage Reading Register |
| 29h | R | - | TMPIN1 Temperature Reading Register |

| Index | R/W | Default | Registers or Action |
|-------|-----|---------|---|
| 2Ah | R | - | TMPIN2 Temperature Reading Register |
| 2Bh | R | - | TMPIN3 Temperature Reading Register |
| 30h | R/W | - | VIN0 High Limit Register |
| 31h | R/W | - | VIN0 Low Limit Register |
| 32h | R/W | - | VIN1 High Limit Register |
| 33h | R/W | - | VIN1 Low Limit Register |
| 34h | R/W | - | VIN2 High Limit Register |
| 35h | R/W | - | VIN2 Low Limit Register |
| 36h | R/W | - | VIN3 High Limit Register |
| 37h | R/W | - | VIN3 Low Limit Register |
| 38h | R/W | - | VIN4 High Limit Register |
| 39h | R/W | - | VIN4 Low Limit Register |
| 3Eh | R/W | - | 3VSB High Limit Register |
| 3Fh | R/W | - | 3VSB Low Limit Register |
| 40h | R/W | - | TMPIN1 High Limit Register |
| 41h | R/W | - | TMPIN1 Low Limit Register |
| 42h | R/W | - | TMPIN2 High Limit Register |
| 43h | R/W | - | TMPIN2 Low Limit Register |
| 44h | R/W | - | TMPIN3 High Limit Register |
| 45h | R/W | - | TMPIN3 Low Limit Register |
| 50h | R/W | 00h | ADC Voltage Channel Enable Register |
| 51h | R/W | 00h | ADC Temperature Channel Enable Register |
| 52h | R/W | 7Fh | TMPIN1 Thermal Output Limit Register |
| 53h | R/W | 7Fh | TMPIN2 Thermal Output Limit Register |
| 54h | R/W | 7Fh | TMPIN3 Thermal Output Limit Register |
| 55h | R/W | 40h | ADC Temperature Extra Channel Enable Register |
| 56h | R/W | 00h | Thermal Diode 1 Zero Degree Adjust Register |
| 57h | R/W | 00h | Thermal Diode 2 Zero Degree Adjust Register |
| 58h | R | 90h | ITE Vendor ID Register |
| 59h | R/W | 00h | Thermal Diode 3 Zero Degree Adjust Register |
| 5Bh | R | 12h | Core ID Register |
| 5Ch | R/W | 60h | Beep Event Enable Register |
| 5Dh | R/W | 00h | Beep Frequency Divisor of Fan Event Register |
| 5Eh | R/W | 00h | Beep Frequency Divisor of Voltage Event Register |
| 5Fh | R/W | 00h | Beep Frequency Divisor of Temperature Event Register |
| 60h | R/W | 7Fh | FAN_CTL1 SmartGuardian Automatic Mode Temperature Limit of OFF Register |
| 61h | R/W | 7Fh | FAN_CTL1 SmartGuardian Automatic Mode Temperature Limit of Fan Start Register |

| Index | R/W | Default | Registers or Action |
|-------|-----|---------|--|
| 62h | R/W | 7Fh | FAN_CTL1 SmartGuardian Automatic Mode Temperature Limit of Full Speed Register |
| 63h | R/W | 00h/80h | FAN_CTL1 SmartGuardian Automatic Mode Start PWM Register |
| 64h | R/W | 00h | FAN_CTL1 SmartGuardian Automatic Mode Control Register |
| 65h | R/W | 7Fh | FAN_CTL1 SmartGuardian Automatic Mode Δ -Temperature Register |
| 66h | R/W | 0Fh | FAN_CTL1 Target Zone Register |
| 68h | R/W | 7Fh | FAN_CTL2 SmartGuardian Automatic Mode Temperature Limit of OFF Register |
| 69h | R/W | 7Fh | FAN_CTL2 SmartGuardian Automatic Mode Temperature Limit of Fan Start Register |
| 6Ah | R/W | 7Fh | FAN_CTL2 SmartGuardian Automatic Mode Temperature Limit of Full Speed Register |
| 6Bh | R/W | 00h/80h | FAN_CTL2 SmartGuardian Automatic Mode Start PWM Register |
| 6Ch | R/W | 00h | FAN_CTL2 SmartGuardian Automatic Mode Control Register |
| 6Dh | R/W | 7Fh | FAN_CTL2 SmartGuardian Automatic Mode Δ -Temperature Register |
| 6Eh | R/W | 0Fh | FAN_CTL2 Target Zone Register |
| 70h | R/W | 7Fh | FAN_CTL3 SmartGuardian Automatic Mode Temperature Limit of OFF Register |
| 71h | R/W | 7Fh | FAN_CTL3 SmartGuardian Automatic Mode Temperature Limit of Fan Start Register |
| 72h | R/W | 7Fh | FAN_CTL3 SmartGuardian Automatic Mode Temperature Limit of Full Speed Register |
| 73h | R/W | 00h/80h | FAN_CTL3 SmartGuardian Automatic Mode Start PWM Register |
| 74h | R/W | 00h | FAN_CTL3 SmartGuardian Automatic Mode Control Register |
| 75h | R/W | 7Fh | FAN_CTL3 SmartGuardian Automatic Mode Δ -Temperature Register |
| 76h | R/W | 0Fh | FAN_CTL3 Target Zone Register |
| 80h | R | - | Fan Tachometer 4 Reading LSB Register |
| 81h | R | - | Fan Tachometer 4 Reading MSB Register |
| 82h | R | - | Fan Tachometer 5 Reading LSB Register |
| 83h | R | - | Fan Tachometer 5 Reading MSB Register |
| 84h | R/W | - | Fan Tachometer 4 Limit LSB Register |
| 85h | R/W | - | Fan Tachometer 4 Limit MSB Register |
| 86h | R/W | - | Fan Tachometer 5 Limit LSB Register |
| 87h | R/W | - | Fan Tachometer 5 Limit MSB Register |
| 88h | R/W | -00h | External Temperature Sensor Host Status Register |
| 89h | R/W | 00h | External Temperature Sensor Host Target Address Register |
| 8Ah | R/W | 00h | External Temperature Sensor Host Write Length Register |
| 8Bh | R/W | 00h | External Temperature Sensor Host Read Length Register |
| 8Ch | R/W | 00h | External Temperature Sensor Host Command (Write Data 1) Register |
| 8Dh | R/W | 00h | External Temperature Sensor Write Data (2-8) Register |

| Index | R/W | Default | Registers or Action |
|-------|-----|---------|---|
| 8Eh | R/W | 00h | External Temperature Sensor Host Control Register |
| 8Fh | R | --h | External Temperature Sensor Read Data (1-16) Register |
| 90h | R/W | FFh | Special FAN Control Mode Extra Vector A Temperature Limit of Fan Start Register |
| 91h | R/W | 00h | Special FAN Control Mode Extra Vector A Slope Register |
| 92h | R/W | 00h | Special FAN Control Mode Extra Vector A Δ -Temperature Register |
| 93h | R/W | 00h | Special FAN Control Mode Extra Vector A Range Register |
| 94h | R/W | FFh | Special FAN Control Mode Extra Vector B Temperature Limit of Fan Start Register |
| 95h | R/W | 00h | Special FAN Control Mode Extra Vector B Slope Register |
| 96h | R/W | 00h | Special FAN Control Mode Extra Vector B Δ -Temperature Register |
| 97h | R/W | 00h | Special FAN Control Mode Extra Vector B Range Register |
| 98h | R/W | 00000b | PCH/AMDTSI Host Status Register |
| 99h | R/W | 00h | PCH/AMDTSI Host Target Address Register |
| 9Ch | R/W | 00h | PCH/AMDTSI Host Command Register |
| 9Dh | R/W | --h | PCH/AMDTSI Write Data Register |
| 9Eh | R/W | 00h | PCH/AMDTSI Host Control Register |
| 9Fh | R/W | --h | PCH/AMDTSI Read Data (1-16) Register |

9.5.2.2 Register Description

9.5.2.2.1 Configuration Register (Index=00h, Default=18h)

| Bit | R/W | Description |
|-----|-----|---|
| 7 | R/W | Initialization A "1" restores all registers to their individual default values, except the Serial Bus Address register. This bit clears itself when the default value is "0". |
| 6 | R/W | Update VBAT Voltage Reading |
| 5 | R/W | COPEN# Cleared Write "1" to clear COPEN#. Note: The COPEN# status register (Index 01h<bit4>) will be cleared when first writing this register and then reading Index 01h<bit4>. |
| 4 | R | Read only; always "1" |
| 3 | R/W | INT_Clear A "1" disables the SMI# and IRQ outputs while the contents of interrupt status bits remain unchanged. |
| 2 | R/W | IRQ Enable This bit is to enable the IRQ Interrupt output. |
| 1 | R/W | SMI# Enable A "1" enables the SMI# Interrupt output. |
| 0 | R/W | Start A "1" enables the startup of monitoring operations and a "0" sets the monitoring operation in the STANDBY mode. |

9.5.2.2.2 Interrupt Status Register 1 (Index=01h, Default=00h)

Reading this register will clear itself following a read access.

| Bit | R/W | Description |
|-----|-----|---|
| 7 | R | Reserved |
| 6 | R | A "1" indicates the FAN_TAC5 Count limit has been reached. |
| 5 | R | Reserved |
| 4 | R | COPEN# Status A "1" indicates a Case Open event has occurred. Note: The COPEN# status register (Index 01h<bit4>) will be cleared when first writing Index 00h<bit5> and then reading this register. |
| 3-0 | R | A "1" indicates the FAN_TAC4-1 Count limit has been reached. |

9.5.2.2.3 Interrupt Status Register 2 (Index=02h, Default=00h)

Reading this register will clear itself after the read operation is completed.

| Bit | R/W | Description |
|-----|-----|---|
| 7 | R | A "1" indicates a High or Low limit of 3VSB has been reached. |
| 6-5 | R | Reserved |
| 4-0 | R | A "1" indicates a High or Low limit of VIN4-0 has been reached. |

9.5.2.2.4 Interrupt Status Register 3 (Index=03h, Default=00h)

Reading this register will clear itself following a read access.

| Bit | R/W | Description |
|-----|-----|--|
| 7-3 | R | Reserved |
| 2-0 | R | A "1" indicates a High or Low limit of Temperature 3-1 has been reached. |

9.5.2.2.5 SMI# Mask Register 1 (Index=04h, Default=00h)

| Bit | R/W | Description |
|-----|-----|---|
| 7 | R/W | Reserved |
| 6 | R/W | A "1" disables the FAN_TAC5 interrupt status bit for SMI#. |
| 5 | R/W | Reserved |
| 4 | R/W | A "1" disables the Case Open Intrusion interrupt status bit for SMI#. |
| 3-0 | R/W | A "1" disables the FAN_TAC4-1 interrupt status bit for SMI#. |

9.5.2.2.6 SMI# Mask Register 2 (Index=05h, Default=00h)

| Bit | R/W | Description |
|-----|-----|--|
| 7 | R/W | A "1" disables the 3VSB interrupt status bit for SMI#. |
| 6-5 | R/W | Reserved |
| 4-0 | R/W | A "1" disables the VIN4-0 interrupt status bit for SMI#. |

9.5.2.2.7 SMI# Mask Register 3 (Index=06h, Default=00h)

| Bit | R/W | Description |
|-----|-----|---|
| 7-3 | R/W | Reserved |
| 2-0 | R/W | A "1" disables the Temperature 3-1 interrupt status bit for SMI#. |

9.5.2.2.8 Interrupt Mask Register 1 (Index=07h, Default=00h)

| Bit | R/W | Description |
|-----|-----|--|
| 7 | R/W | Reserved |
| 6 | R/W | A "1" disables the FAN_TAC5 interrupt status bit for IRQ. |
| 5 | R/W | Reserved |
| 4 | R/W | A "1" disables the Case Open Intrusion interrupt status bit for IRQ. |
| 3-0 | R/W | A "1" disables the FAN_TAC4-1 interrupt status bit for IRQ. |

9.5.2.2.9 Interrupt Mask Register 2 (Index=08h, Default=00h)

| Bit | R/W | Description |
|-----|-----|---|
| 7 | R/W | A "1" disables the 3VSB interrupt status bit for IRQ. |
| 6-5 | R/W | Reserved |
| 4-0 | R/W | A "1" disables the VIN4-0 interrupt status bit for IRQ. |

9.5.2.2.10 Interrupt Mask Register 3 (Index=09h, Default=80h)

| Bit | R/W | Description |
|-----|-----|--|
| 7 | R/W | A "1" disables the External Thermal Sensor interrupt. |
| 6-3 | R/W | Reserved |
| 2-0 | R/W | A "1" disables the Temperature 3-1 interrupt status bit for IRQ. |

9.5.2.2.11 Interface Selection Register (Index=0Ah, Default=58h)

| Bit | R/W | Description |
|-----|-----|---|
| 7 | R/W | Pseudo-EOC (End of Conversion of ADC) A Pseudo-EOC bit can speed up the setup time of FAN speed in the SmartGuardian automatic mode. (Write 1 to the bit then write 0.) |
| 6 | R/W | External Thermal Sensor SMB Host Enable 0: SMB Disable 1: SMB Enable |
| 5-4 | R/W | SST/PECI Selection 00: Disable 01: SST Slave Device 10: PECI 11: SST Host |
| 3 | R/W | SST/PECI Host Controller Clock Selection 0: 32MHz generated internally 1: 24MHz |
| 2 | R/W | SST/PECI Host Controller (Auto Speed No-change Tolerance) t-bit 1 Setting 0: (2 host clocks) no less than 1 host clock 1: (1 host clock) less than 1 host clock |
| 1 | R/W | Reserved |
| 0 | R/W | PECI 2.0/3.0 Host Controller Hardware AWFCFS Enable 0: Disable 1: Enable |

9.5.2.2.12 Fan PWM Smoothing Step Frequency Selection Register (Index=0Bh, Default=0Fh)

| Bit | R/W | Description |
|-----|-----|---|
| 7-6 | R/W | FAN PWM Smoothing Step Frequency Selection 00: 1Hz 01: 16Hz 10: 8Hz 11: 4Hz |
| 5-4 | R/W | Reserved Must be "00b" |
| 3-2 | R/W | FAN_CTL5 Selection 00: The same as FAN_CTL1 01: The same as FAN_CTL2 10: The same as FAN_CTL3 11: None |
| 1-0 | R/W | FAN_CTL4 Selection 00: The same as FAN_CTL1 01: The same as FAN_CTL2 10: The same as FAN_CTL3 11: None |

9.5.2.2.13 Fan Tachometer Control Register (Index=0Ch, Default=00h)

| Bit | R/W | Description |
|-----|-----|---|
| 7 | R/W | TMPIN3 Enhanced Interrupt Mode Enable 0: Original mode 1: The interrupt will be generated when TMPIN3 is higher than the high limit or lower than the low limit. |
| 6 | R/W | TMPIN2 Enhanced Interrupt Mode Enable 0: Original mode 1: The interrupt will be generated when TMPIN2 is higher than the high limit or lower than the low limit. |
| 5 | R/W | FAN_TAC5 Enable 0: Disable 1: Enable |
| 4 | R/W | FAN_TAC4 Enable 0: Disable 1: Enable |
| 3 | R/W | TMPIN1 Enhanced Interrupt Mode Enable 0: Original mode 1: The interrupt will be generated when TMPIN1 is higher than the high limit or lower than the low limit. |
| 2-0 | R/W | Reserved |

9.5.2.2.14 Fan Tachometer 1-3 Reading Registers (Index=0Dh-0Fh)

| Bit | R/W | Description |
|-----|-----|--|
| 7-0 | R | Count Number of Internal Clock per Revolution |

9.5.2.2.15 Fan Tachometer 1-3 Limit Registers (Index=10h-12h)

| Bit | R/W | Description |
|-----|-----|--------------------|
| 7-0 | R/W | Limit Value |

9.5.2.2.16 Fan Controller Main Control Register (Index=13h, Default=07h)

| Bit | R/W | Description |
|-----|-----|---|
| 7 | R | Reserved |
| 6-4 | R/W | FAN_TAC3-1 Enable 0: Disable 1: Enable |
| 3 | R/W | Full Speed Control of FAN_CTL Automatic Mode 0: The full speeds of FAN_CTL1-3 automatic mode are independent. 1: All FAN_CTL1-3 will enter their respective full speeds when the temperature exceeds the full Speed Temperature Limit. |
| 2-0 | R/W | FAN_CTL3-1 Output Mode Selection 0: ON/OFF mode 1: SmartGuardian mode |

9.5.2.2.17 FAN_CTL Control Register (Index=14h, Default=40h)

| Bit | R/W | Description |
|-----|-----|---|
| 7 | R/W | FAN_CTL Polarity (for all FANs) 0: Active low 1: Active high |
| 6-4 | R/W | PWM Base Clock Select (for FAN1, 3, 4, 5) 000: 48MHz (PWM Frequency=187.5kHz) 001: 24MHz (PWM Frequency=93.75kHz) 010: 12MHz (PWM Frequency=46.87kHz) 011: 8MHz (PWM Frequency=31.25kHz) 100: 6MHz (PWM Frequency=23.43kHz) (Default) 101: 3MHz (PWM Frequency=11.7kHz) 110: 1.5MHz (PWM Frequency=5.86kHz) 111: 51kHz (PWM Frequency=200Hz) |
| 3 | R/W | PWM Minimum Duty Select (for FAN1, 3, 4, 5) 0: 0 % For a given PWM value, the actual duty is PWM/256 X 100%. 1: 20 % For a given PWM value (except 00h), the actual duty is (PWM+64)/320 X 100%. If the given PWM value is 00h, the actual duty will be 0%. |
| 2-0 | R/W | FAN_CTL ON/OFF Mode Control These bits are only available when the relative output modes are selected in the ON/OFF mode. 0: OFF 1: ON |

9.5.2.2.18 FAN_CTL 1-3 PWM Control Register (Index=15h,16h,17h, Default=00h)

| Bit | R/W | Description |
|-----|-----|--|
| 7 | R/W | FAN_CTL1-3 PWM Mode Automatic/Software Operation Selection 0: Software operation 1: Automatic operation |
| 6-0 | R/W | When bit 7 =0: Bit 7-0 of Index 63h, 6Bh, 73h: 256 Steps of PWM Control When in Software Operation When bit 7 =1: Bit 2: Tachometer Closed-loop Mode Enable Bit 0: Disable 1: Enable Bit 1-0: Temperature Input Selection 00: TMPIN1 01: TMPIN2 10: TMPIN3 11: Reserved Bit 6-3: Reserved |

9.5.2.2.19 Fan Tachometer 1-3 Extended Reading Registers (Index=18h-1Ah)

| Bit | R/W | Description |
|-----|-----|---|
| 7-0 | R | Count Number of Internal Clock per Revolution [15:8] |

9.5.2.2.20 Fan Tachometer 1-3 Extended Limit Registers (Index=1Bh-1Dh)

| Bit | R/W | Description |
|-----|-----|---------------------------|
| 7-0 | R/W | Limit Value [15:8] |

9.5.2.2.21 VIN4-0 Voltage Reading Registers (Index=24h-20h)

| Bit | R/W | Description |
|-----|-----|--|
| 7-0 | R | Voltage Reading Value Note: For monitoring Internal AVCC3 If LDN7, Index 2Ch<bit 0>=1, AVCC3 voltage = VIN3 reading value * 2 * 12mV |

9.5.2.2.22 3VSB Voltage Reading Registers (Index=27h)

| Bit | R/W | Description |
|-----|-----|---|
| 7-0 | R | Internal 3VSB Voltage Reading Value The 3VSB voltage = reading value * 2 * 12mV |

9.5.2.2.23 VBAT Voltage Reading Register (Index=28h)

| Bit | R/W | Description |
|-----|-----|---|
| 7-0 | R | VBAT Voltage Reading Value Note: 1. The VBAT voltage = reading value * 2 * 12mV |

9.5.2.2.24 TMPIN3-1 Temperature Reading Registers (Index=2Bh-29h)

| Bit | R/W | Description |
|-----|-----|---------------------------|
| 7-0 | R | Temperature Reading Value |

9.5.2.2.25 3VSB, VIN4-0 High Limit Registers (Index=3Eh, 38h, 36h, 34h, 32h, 30h)

| Bit | R/W | Description |
|-----|-----|------------------|
| 7-0 | R/W | High Limit Value |

9.5.2.2.26 3VSB, VIN4-0 Low Limit Registers (Index=3Fh, 39h, 37h, 35h, 33h, 31h)

| Bit | R/W | Description |
|-----|-----|-----------------|
| 7-0 | R/W | Low Limit Value |

9.5.2.2.27 TMPIN3-1 High Limit Registers (Index=44h, 42h, 40h)

| Bit | R/W | Description |
|-----|-----|------------------|
| 7-0 | R/W | High Limit Value |

9.5.2.2.28 TMPIN3-1 Low Limit Registers (Index=45h, 43h, 41h)

| Bit | R/W | Description |
|-----|-----|-----------------|
| 7-0 | R/W | Low Limit Value |

9.5.2.2.29 ADC Voltage Channel Enable Register (Index=50h, Default=00h)

| Bit | R/W | Description |
|-----|-----|------------------------|
| 7 | R/W | ADC 3VSB Scan Enable |
| 6-5 | R/W | Reserved |
| 4-0 | R/W | ADC VIN4-0 Scan Enable |

9.5.2.2.30 ADC Temperature Channel Enable Register (Index=51h, Default=00h)

TMPIN3-1 cannot be enabled in both Thermal Resistor mode and Thermal Diode (Diode connected Transistor) mode.

| Bit | R/W | Description |
|-----|-----|---|
| 7-6 | R/W | SST/PECI Host Temperature Reading Report Register Selection 00: None 01: TMPIN1 Temperature Reading Register.(Index 29h) 10: TMPIN2 Temperature Reading Register.(Index 2Ah) 11: TMPIN3 Temperature Reading Register.(Index 2Bh) |
| 5-3 | R/W | TMPIN3-1 is enabled in the Thermal Resistor mode. |
| 2-0 | R/W | TMPIN3-1 is enabled in the Thermal Diode (or Diode-connected Transistor) mode. |

9.5.2.2.31 TMPIN3-1 Thermal Output Limit Registers (Index=54h-52h, Default=7Fh)

| Bit | R/W | Description |
|-----|-----|----------------------------|
| 7-0 | R/W | Thermal Output Limit Value |

9.5.2.2.32 ADC Temperature Extra Channel Enable Register (Index=55h, Default=40h)

| Bit | R/W | Description |
|-----|-----|---|
| 7 | R/W | Reserved |
| 6-4 | R/W | FAN_CTRL2 PWM Base Clock Select 000: 48MHz (PWM Frequency=187.5kHz) 001: 24MHz (PWM Frequency=93.75kHz) 010: 12MHz (PWM Frequency=46.87kHz) 011: 8MHz (PWM Frequency=31.25kHz) 100: 6MHz (PWM Frequency=23.43kHz) (Default) 101: 3MHz (PWM Frequency=11.7kHz) 110: 1.5MHz (PWM Frequency=5.86kHz) 111: 51kHz (PWM Frequency=200Hz) |
| 3 | R/W | FAN_CTRL2 PWM Minimum Duty Select 0: 0 % For a given PWM value, the actual duty is PWM/256 X 100%. 1: 20 % For a given PWM value (except 00h), the actual duty is (PWM+64)/320 X 100%. If the given PWM value is 00h, the actual duty will be 0%. |
| 2-1 | R/W | Reserved |
| 0 | R/W | VIN4 is enabled in the Thermal Resistor mode. |

9.5.2.2.33 Thermal Diode Zero Degree Adjust 3-1 Registers (Index=59h, 57h, 56h, Default=00h)

These registers are **read only** unless bit 7 of 5Ch is set.

| Bit | R/W | Description |
|-----|-----|---|
| 7-0 | R/W | Thermal Diode Zero Degree Voltage Value |

9.5.2.2.34 Vendor ID Register (Index=58h, Default=90h)

| Bit | R/W | Description |
|-----|-----|--------------------------|
| 7-0 | R | ITE Vendor ID; read Only |

9.5.2.2.35 Code ID Register (Index=5Bh, Default=12h)

| Bit | R/W | Description |
|-----|-----|--------------------------|
| 7-0 | R | ITE Vendor ID; read Only |

9.5.2.2.36 Beep Event Enable Register (Index=5Ch, Default=60h)

| Bit | R/W | Description |
|-----|-----|---|
| 7 | R/W | Thermal Diode Zero Degree Adjust Register Write Enable |
| 6-4 | R/W | ADC Clock Selection 000: 500kHz 001: 250kHz 010: 125K 011: 62.5kHz 100: 31.25kHz 101: 24MHz 110: 1MHz(Default) 111: 2MHz |
| 3 | R/W | Reserved |
| 2 | R/W | This bit can enable the beep action when TMPINs exceed the limit |
| 1 | R/W | This bit can enable the beep action when VINs exceed the limit. |
| 0 | R/W | This bit can enable the beep action when FAN_TACs exceed the limit. |

9.5.2.2.37 Beep Frequency Divisor of Fan Event Register (Index=5Dh, Default=00h)

| Bit | R/W | Description |
|-----|-----|---|
| 7-4 | R/W | Tone Divisor Tone=500/(bits[7:4]+1) |
| 3-0 | R/W | Frequency Divisor Frequency=10K/(bits[3:0]+1) |

9.5.2.2.38 Beep Frequency Divisor of Voltage Event Register (Index=5Eh, Default=00h)

| Bit | R/W | Description |
|-----|-----|---|
| 7-4 | R/W | Tone Divisor Tone=500/(bits[7:4]+1). |
| 3-0 | R/W | Frequency Divisor Frequency=10K/(bits[3:0]+1) |

9.5.2.2.39 Beep Frequency Divisor of Temperature Event Register (Index=5Fh, Default=00h)

| Bit | R/W | Description |
|-----|-----|---|
| 7-4 | R/W | Tone Divisor Tone=500/(bits[7:4]+1) |
| 3-0 | R/W | Frequency Divisor Frequency=10K/(bits[3:0]+1) |

9.5.2.2.40 FAN_CTL3-1 SmartGuardian Automatic Mode Temperature Limit of OFF Registers (Index=70h, 68h, 60h, Default=7Fh)

| Bit | R/W | Description |
|-----|-----|---|
| 7-0 | R/W | Temperature Limit Value of Fan OFF |

9.5.2.2.41 FAN_CTL3-1 SmartGuardian Automatic Mode Temperature Limit of Fan Start Registers (Index=71h, 69h, 61h, Default=7Fh)

| Bit | R/W | Description |
|-----|-----|---|
| 7-0 | R/W | Temperature Limit Value of Fan Start |

9.5.2.2.42 FAN_CTL3-1 SmartGuardian Automatic Mode Temperature Limit of Full Speed Registers (Index=72h, 6Ah, 62h, Default=7Fh)

| Bit | R/W | Description |
|-----|-----|---|
| 7-0 | R/W | Temperature Limit Value of Fan Full Speed |

9.5.2.2.43 FAN_CTL3-1 SmartGuardian Automatic Mode Start PWM Registers (Index=73h, 6Bh, 63h, Default=00h/80h)

The default value of these registers is selected by JP3

For Original Fan Control Mode:

| Bit | R/W | Description |
|-----|-----|---|
| 7-0 | R/W | <p>When bit 7 of index 15h, 16h, 17h =0: 256 Steps of PWM Control When in Software Operation</p> <p>When bit 7 of index 15h, 16h, 17h =1: PWM Value</p> |

For Tachometer Closed-loop Mode:

| Bit | R/W | Description |
|-----|-----|--|
| 7-0 | R/W | <p>Initial Value of Target RPM</p> $RPM = 16 * Bit[7:0]$ |

9.5.2.2.44 FAN_CTL3-1 SmartGuardian Automatic Mode Control Registers (Index=74h, 6Ch, 64h, Default=00h)

For Original Fan Control Mode:

| Bit | R/W | Description |
|-----|-----|--|
| 7 | R/W | <p>FAN Smoothing</p> <p>This bit enables the FAN PWM smoothing change.</p> <p>0: Disable</p> <p>1: Enable</p> |
| 6-0 | R/W | <p>Slope PWM Bit[6:0]</p> $Slope = (Slope\ PWM\ bit[6:3] + Slope\ PWM\ bit[2:0] / 8) PWM\ value/^{\circ}C$ |

For Tachometer Closed-loop Mode:

| Bit | R/W | Description |
|-----|-----|--|
| 5-0 | R/W | <p>Slope of Target RPM</p> $Slope = 8 * Bit[5:0] (RPM/^{\circ}C)$ |

9.5.2.2.45 FAN_CTL3-1 SmartGuardian Automatic Mode Δ -Temperature Registers (Index=75h, 6Dh, 65h, Default=00h)

| Bit | R/W | Description |
|-----|-----|---|
| 7 | R/W | Direct-Down Control This bit is to determine the PWM linear changing decreasing mode. 0: Slow decreasing mode 1: Direct decreasing mode |
| 6 | R/W | FAN Full Limit Control as Thermal out Reached When the relevant enable bit is set and the FAN output mode is selected as Automatic mode by bit7 of EC index 15h, 16h, 17h, the corresponding FAN output will be forced to full PWM if any thermal output limit is reached. 0: Disable 1: Enable |
| 5 | - | Reserved |
| 4-0 | R/W | Δ -Temperature Interval [4:0] |

9.5.2.2.46 FAN_CTL3-1 Target Zone Registers (Index=76h, 6Eh, 66h, Default=0Fh)

For Tachometer Closed-loop Mode:

| Bit | R/W | Description |
|-----|-----|---|
| 3-0 | R/W | Target Zone Boundary Target Zone = Target RPM +/- (8 * bit[3:0]) (RPM/°C) |

9.5.2.2.47 Fan Tachometer 4-5 Reading LSB Registers (Index=80h,82h)

| Bit | R/W | Description |
|-----|-----|---|
| 7-0 | R | Count Number of Internal Clock per Revolution |

9.5.2.2.48 Fan Tachometer 4-5 Reading MSB Registers (Index=81h,83h)

| Bit | R/W | Description |
|-----|-----|---|
| 7-0 | R | Count Number of Internal Clock per Revolution |

9.5.2.2.49 Fan Tachometer 4-5 Limit LSB Registers (Index=84h,86h)

| Bit | R/W | Description |
|-----|-----|-------------|
| 7-0 | R/W | Limit Value |

9.5.2.2.50 Fan Tachometer 4-5 Limit MSB Registers (Index=85h,87h)

| Bit | R/W | Description |
|-----|-----|-------------|
| 7-0 | R/W | Limit Value |

9.5.2.2.51 External Temperature Sensor Host Status Register (Index=88h, Default= -00h)

| Bit | R/W | Description |
|-----|------|---|
| 7 | R/W | Data FIFO Pointer Clear Writing 1 clears the Read/Write Data FIFO pointers. 0: No action It always reports 0 when reading it. 1: Both Read and Write Data FIFO pointers cleared Read Data register will point to Read Data 1, and Write Data register will point to Write Data 2. |
| 6 | R/WC | SST Bus Abnormal/Contention Error This bit reports the SST/PECI line status. 0: No error 1: Abnormal/Contention error |
| 5 | R/WC | SST Slave Message Phase t-bit Extend over Error/SST or PECI Received Error Code This bit reports the SST/PECI line status and received error code (8000h-81FFh). 0: No error 1: Error found |
| 4 | R/WC | SST/PECI Line High-Z Status/Failed This bit reports the SST/PECI line High-Z status. 0: SST/PECI line does not drive High-Z. 1: SST/PECI line drives High-Z. |
| 3 | R/WC | Write_FCS_ERR Writing 1 clears this bit. In the SST/PECI mode, it reports Write FCS error. 0: No Error 1: Write FCS error |
| 2 | R/WC | NotValid/Read_FCS_ERR Writing 1 clears this bit. In the SST/PECI mode, it reports Read FCS error. 0: No Error 1: Read FCS error |
| 1 | R/WC | Finish (FNSH) Writing 1 clears this bit. 0: None 1: This bit is set when the stop condition is detected. |
| 0 | R | Host Busy (BUSY) 0: The current transaction is completed. 1: This bit is set while the command is in operation. |

9.5.2.2.52 External Temperature Sensor Host Target Address Register (Index=89h, Default=00h)

| Bit | R/W | Description |
|-----|-----|--|
| 7-0 | R/W | Host Target Address Register (HAddr [7:0]) This register is the Target Address field of the SST/PECI protocol. |

9.5.2.2.53 External Temperature Sensor Host Write Length Register (Index=8Ah, Default=00h)

| Bit | R/W | Description |
|-----|-----|--|
| 7-0 | R/W | Host Write Length Register (HW_length [7:0]) This register is the Write Length field of the SST/PECI protocol. |

9.5.2.2.54 External Temperature Sensor Host Read Length Register (Index=8Bh, Default=00h)

| Bit | R/W | Description |
|-----|-----|--|
| 7-0 | R/W | Host Read Length Register (HR_length [7:0]) This register is the Read Length field of the SST/PECI protocol. |

9.5.2.2.55 External Temperature Sensor Host Command (Write Data 1) Register (Index=8Ch, Default=00h)

| Bit | R/W | Description |
|-----|-----|---|
| 7-0 | R/W | Host Command Register (HCMD [7:0]) This register is the command field of the protocol. In the PECI/SST mode, it is the command (Write Data 1) byte. |

9.5.2.2.56 External Temperature Sensor Write Data (2-8) Register (Index=8Dh, Default=--h)

| Bit | R/W | Description |
|-----|-----|--|
| 7-0 | R/W | Write Data (2-8) [7:0] (in SST/PECI mode) This is a 16-byte FIFO register, which is only valid in the PECI/SST mode. |

9.5.2.2.57 External Temperature Sensor Host Control Register (Index=8Eh, Default=00h)

| Bit | R/W | Description |
|-----|-----|--|
| 7-6 | R/W | Auto-Start Control (Auto-START) The host will start the transaction in a regular rate automatically. 00: 32 Hz 01: 16 Hz 10: 8 Hz 11: 4 Hz |
| 5 | R/W | Auto-Start (Auto-START) 0: Disable 1: Enable The host will start the transaction in a regular rate, which is determined by bit [6:5] automatically. |
| 4 | R/W | SST/PECI Host Auto-abort at FCS Error This bit enables the SST/PECI host to abort the transaction when an error occurs to FCS. 0: Disable 1: Enable |
| 3 | R/W | Auto-Start Two-Domain Enable 0: One-Domain 1: Two-Domain |
| 2 | R/W | SST/PECI Contention Control This bit enables the SST/PECI bus contention control. 0: Disable 1: Enable When the SST/PECI bus is contentious, the host will abort the transaction. |
| 1 | R/W | SST/PECI idle High This bit sets the SST/PECI bus idle-high in the SST/PECI host mode. 0: SST/PECI idle low 1: SST/PECI idle high |

| Bit | R/W | Description |
|-----|-----|--|
| 0 | R/W | Start (START) This bit is write-only . Writing 0 to it during transaction will issue a “kill process” and bit 4 of 88h register will be set. Writing 1 to it during the “NOT BUSY” state (bit 0 of 88h = 0) will start a transaction. Writing 1 to it during the “BUSY” state (bit 0 of 88h = 1) will not issue any transaction. So, the programmer should check the “BUSY” status before issuing a transaction. 0: This bit always returns 0 at read. 1: When this bit is set, the host controller will perform the transaction. |

9.5.2.2.58 External Temperature Sensor Read Data (1-16) Register (Index=8Fh, Default=-h)

| Bit | R/W | Description |
|-----|-----|---|
| 7-0 | R/W | Read Data (1-16) [7:0] This is a 32-byte FIFO register. |

9.5.2.2.59 Special FAN Control Mode Extra Vector A, B Temperature Limit of Fan Start Registers (Index=90h, 94h, Default=FFh)

| Bit | R/W | Description |
|-----|-----|---|
| 7-0 | R/W | Temperature Limit Value of Fan Start |

9.5.2.2.60 Special FAN Control Mode Extra Vector A, B Slope Registers (Index=91h, 95h, Default=00h)

For Original Fan Control Mode:

| Bit | R/W | Description |
|-----|-----|--|
| 7 | R/W | Temperature Input Select 0 Please refer to the description of Special FAN Control Mode Extra Vector A, B Δ -Temperature Registers for the detail. |
| 6-0 | R/W | Slope PWM Bit[6:0] $\text{Slope} = (\text{Slope PWM bit}[6:3] + \text{Slope PWM bit}[2:0] / 8) \text{ PWM value}/^{\circ}\text{C}$ |

For Tachometer Closed-Loop Mode:

| Bit | R/W | Description |
|-----|-----|--|
| 7 | R/W | Temperature Input Select 0 Please refer to the description of Special FAN Control Mode Extra Vector A, B Δ -Temperature Registers for the detail. |
| 6-0 | R/W | Slope of Extra A and B RPM $\text{Slope} = 8 * \text{Bit}[6:0] \text{ (RPM}/^{\circ}\text{C)}$ |

9.5.2.2.61 Special FAN Control Mode Extra Vector A, B Δ -Temperature Registers (Index=92h, 96h, Default=00h)

| Bit | R/W | Description |
|-----|-----|---|
| 7 | R/W | Temperature Input Select 1 For Temperature Input Select 0 , please refer to bit 7 of Special FAN Control Mode Extra Vector A, B Slope Registers. 00: TMPIN1 01: TMPIN2 10: TMPIN3 11: Reserved |
| 6-5 | R/W | Target FAN Select These bits are to determine the target FAN to be added for extra vector. 00: None 01: FAN1 10: FAN2 11: FAN3 |
| 4-0 | R/W | Δ -Temperature Interval [4:0] |

9.5.2.2.62 Special FAN Control Mode Extra Vector A, B Range Registers (Index=93h, 97h, Default=00h)

For Original Fan Control Mode:

| Bit | R/W | Description |
|-----|-----|--|
| 7 | R/W | Positive/Negative Slope Selection This bit is to select whether the slope value in Special FAN Control Mode Extra Vector A, B is positive or negative. 0: Positive 1: Negative |
| 6-0 | R/W | Range Selection [6:0] These bits determine the extra vector range after the temperature limit (Index 90h, 94h). If the input temperature > (temperature limit + Range [6:0]), the vector will equal the value of (temperature limit + Range [6:0]). If Range [6:0]=00h, it means no range limit. |

9.5.2.2.63 PCH/AMDTSI Host Status Register (Index=98h, Default=---00000b)

| Bit | R/W | Description |
|-----|------|---|
| 7 | R/W | Data FIFO Pointer Clear Writing 1 clears Read/Write Data FIFO pointers. 0: No action It always reports 0 when reading it. 1: Both Read and Write Data FIFO pointers cleared Read Data register will point to Read Data 1, and Write Data register will point to Write Data 2. |
| 6 | R/W | Bus Selection This bit selects the SMB host protocol. 0: PCH SM-Link 1: AMDTSI |
| 5 | R/WC | Reserved |
| 4 | R/WC | Transmission Killed |
| 3 | R/WC | Bus Error 0: No Error 1: Error |

| Bit | R/W | Description |
|-----|------|--|
| 2 | R/WC | Data Valid Writing 1 clears this bit. In the AMDTSI mode, it reports the valid bit of Data phase. If this bit is set to 0(valid data =0), the data is valid. 0: Data valid 1: Data invalid |
| 1 | R/WC | Finish (FNSH) Writing 1 clears this bit. 0: None 1: This bit is set when the stop condition is detected. |
| 0 | R | HOST Busy (BUSY) 0: The current transaction is completed. 1: This bit is set while the command is in operation. |

9.5.2.2.64 PCH/AMDTSI Host Target Address Register (Index=99h, Default=00h)

| Bit | R/W | Description |
|-----|-----|--|
| 7-0 | R/W | Host Target Address Register (HAddr [7:0]) This register is the Target Address field of the PCH/AMDTSI protocol. |

9.5.2.2.65 PCH/AMDTSI Host Command Register (Index=9Ch, Default=00h)

| Bit | R/W | Description |
|-----|-----|--|
| 7-0 | R/W | Host Command Register (HCMD [7:0]) This register is the command field of the protocol. In the AMDTSI mode, it is the Command field. If the host controller is busy, the value of this register cannot be changed or the host will send the wrong command. If the value is out of definition (for example, 03h to FFh for AMDTSI protocol), the host will transfer it to the normal value and no error will be detected by the host controller. |

9.5.2.2.66 PCH/AMDTSI Write Data Register (Index=9Dh, Default=--h)

| Bit | R/W | Description |
|-----|-----|---|
| 7-0 | R/W | Write Data This is a 16-byte FIFO register. |

9.5.2.2.67 PCH/AMDTSI Host Control Register (Index=9Eh, Default=00h)

| Bit | R/W | Description |
|-----|-----|---|
| 7-6 | R/W | Auto-Start Control (Auto-START) The host will start the transaction in a regular rate automatically. 00: Disable auto-start 01: 16 Hz 10: 8 Hz 11: 4 Hz |
| 5-4 | R/W | For AMDTSI Temperature Reading Report Register Selection 00: None 01: Index 29h (TMPIN1) 10: Index 2Ah (TMPIN2) 11: Index 2Bh (TMPIN3) For SM-Link Max. Temperature of CPU or MCH Reading Report Register Selection 01: Index 29h 11: Index 2Bh For SM-Link PCH Temperature Reading Report Register Selection 00: Index 2Ah, if 9Eh<1>=1. For MxM Temperature Reading Report Register Selection 10: Index 2Ah, if 9Eh<1>=1. |
| 3 | R/W | Reserved |
| 2 | R/W | AMDTSI Clock Selection 0: 100 kbits/s 1: 400 kbits/s |
| 1 | R/W | PCH/MxM Temp Reported to 2Ah 0: Disable 1: Enable Please refer to 9Eh<bit 5-4> for the detail. AMDTSI_byte_sel This bit selects 8/16 bit data in the AMDTSI mode. 0: AMDTSI 8-bit data 1: AMDTSI 16-bit data |
| 0 | R/W | Start (START) This bit is write-only . Writing 0 to it during transaction will issue a “kill process” and bit 4 of 98h register will be set. Writing 1 to it during the “NOT BUSY” state (bit 0 of 98h = 0) will start a transaction. Writing 1 to it during the “BUSY” state (bit 0 of 98h = 1) will not issue any transaction. So, the programmer should check whether the status is “BUSY” before issuing a transaction. 0: This bit always returns 0 at read. 1: When this bit is set, the host controller will perform the transaction. |

9.5.2.2.68 PCH/AMDTSI Read Data (1-16) Register (Index=9Fh, Default=-h)

| Bit | R/W | Description |
|-----|-----|---|
| 7-0 | R/W | Read Data (1-16) [7:0] This is a 21-byte FIFO register. |

9.5.3 Operation

9.5.3.1 Power on Reset and Software Reset

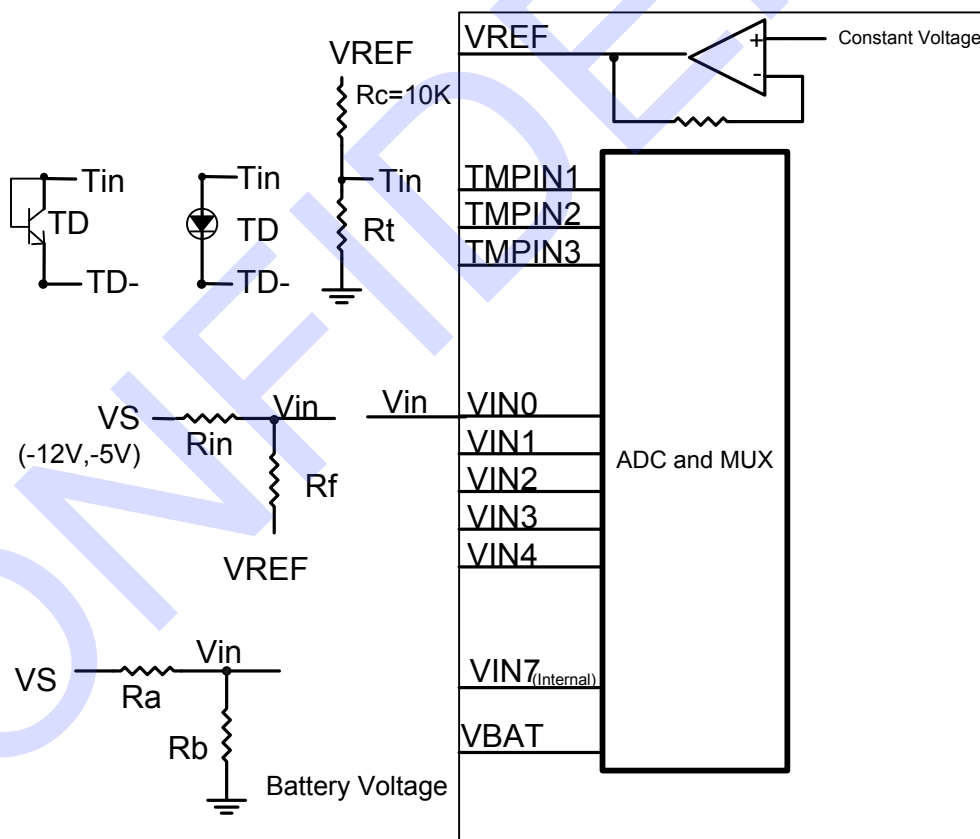
When the system power is first applied, the Environment Controller performs “power on reset” on the registers, making them return to their individual default values during a system hardware reset, and the EC will acquire a monitored value before it goes inactive. The ADC is activated to monitor the VBAT pin and then goes inactive. A software reset through bit 7 of Configuration Register (Index=00h, Default=18h) (refer to page 108) performs the same functions as the hardware reset except the function of the Serial Bus Interface Address register.

9.5.3.2 Starting Conversion

The monitoring function in the EC is activated when bit 3 of Configuration Register is cleared (low) and bit 0 of Configuration Register is set (high). Otherwise, this function will be enabled by setting several enabled bits, which are categorized into three groups, positive voltages, temperatures and FAN Tachometer inputs. Before the EC monitoring function is able to be executed then the monitoring process can then be started.

1. Set the limits.
2. Set the interrupt masks.
3. Set the enable bits.

Figure 9-4. Application Example



Note: The resistor should provide approximately 2V at the Analog Inputs.

9.5.3.3 Voltage and Temperature Inputs

The 8-bit ADC has a 12mV LSB with an input range from 0V to 3.072V. The 2.5V supplies of PC applications can be directly connected to the inputs. When the input voltage is greater than 3.072V, it is necessary to divide the input voltage into an acceptable range. When the divided circuit is used to measure the positive voltage, the recommended range for Ra and Rb is from 10KΩ to 100KΩ. The negative voltage can be measured by the same divider, which is connected to VREF (constant voltage, 2.8V), and do not attempt to measure it with the divider connected to the ground. The EC temperature measurement system converts the voltage of the TMPINs to 8-bit two's-complement. The system also includes an OP amp providing a constant voltage, an external thermistor, a constant resistance, the ADC and a conversion table ROM.

| Temperature | Digital Output Format | |
|-------------|-----------------------|-----|
| | Binary | Hex |
| + 125°C | 01111101 | 7Dh |
| + 25°C | 00011001 | 19h |
| + 1°C | 00000001 | 01h |
| + 0°C | 00000000 | 00h |
| - 1°C | 11111111 | FFh |
| - 25°C | 11100111 | E7h |
| - 55°C | 11001001 | C9h |

With the addition of the external application circuit, the actual voltages are calculated below:

Positive Voltage: $V_s = V_{in} \times (R_a + R_b) / R_b$

Negative Voltage: $V_s = (1 + R_{in}/R_f) \times V_{in} - (R_{in}/R_f) \times V_{REF}$

All the analog inputs are equipped with the internal diodes that clamp the input voltage exceeding the power supply and ground; nevertheless, the current limiting input resistor is recommended since no dividing circuit is available.

9.5.3.4 Layout and Grounding

A separate and low-impedance ground plane for analog ground is essential to achieve accurate measurement. The analog ground also provides a ground point for the voltage dividers including the temperature loops and analog components. Analog components such as voltage dividers, feedback resistors and the constant resistors of the temperature loops should be located as closely as possible to the IT8786E-I. However, the thermistors of the temperature loops should be positioned within the measuring area. In addition, the power supply bypass and the parallel combination of 10μF and 0.1μF bypass capacitors connected between AVCC3 and analog ground also needs to be located as closely as possible to the IT8786E-I.

Due to the small differential voltage of thermal diode (diode-connected transistor), it is necessary to adhere to the steps below for PCB layout.

- Position the sensor as closely as possible to the EC.
- The sensor ground should be directly shorted to GNDA with excellent noise immunity.
- Keep traces away from any noise sources. (High voltage, fast data bus, fast clock, CRTs ...)
- Use trace width of 10 mil minimum and provide guard ground (flanking and under).
- Position 0.1μF bypass capacitors as closely as possible to IT8786E-I.

9.5.3.5 Fan Tachometer

The Fan Tachometer inputs gate a 22.5 kHz clock into an 8-bit or 16-bit counter (maximum count=255 or 65535) for one period of the input signals. Counts are based on two pulses per revolution for tachometer output.

$$\text{RPM} = 1.35 \times 10^6 / (\text{Count} \times \text{Divisor}) ; (\text{Default Divisor} = 2)$$

The maximum input signal range is from 0 to VCC. An additional external circuit is needed to clamp the input voltage and current.

9.5.3.6 Interrupt of the EC

The EC generates interrupts as a result of each of its Limit registers on the analog voltage, temperature, and FAN monitor. All the interrupts are indicated in two Interrupt Status Registers. The IRQ and SMI# outputs have individual mask registers. These two Interrupts can also be enabled/disabled by Configuration Register (Index=00h, Default=18h) (refer to page 108). The Interrupt Status Registers will be reset after a read operation. When the Interrupt Status Registers are cleared, the Interrupt lines will also be cleared. When a read operation is completed before the completion of the monitoring loop sequence, it indicates an Interrupt Status Register has been cleared. It takes EC 1.5 seconds to allow all the EC Registers to be safely updated between completed read operations. When bit 3 of the Configuration Register is set to high, the Interrupt lines are cleared and the monitoring loop will be stopped. The loop will resume after this bit is cleared.

All analog voltage inputs have both high and low Limit Registers to generate interrupts whereas FAN monitoring inputs only have low Limit Register to warn the host. The IT8786E-I provides three modes dedicated to temperature interrupts in the EC: "Interrupt" mode, "Enhanced Interrupt" mode and "Comparator" mode.

Interrupt Mode

An interrupt will be generated whenever the temperature exceeds Th limit, and the corresponding interrupt status bits will be set to high until being reset by reading Interrupt Status Register 3 (Index=03h, Default=00h) (refer to page 108). Once an interrupt event occurs by exceeding Th limit, an interrupt will only occur again when the temperature goes below TL limit after being reset. Again, it will set the corresponding status bit to high until being reset by reading Interrupt Status Register 3 (Index=03h, Default=00h) (refer to page 108).

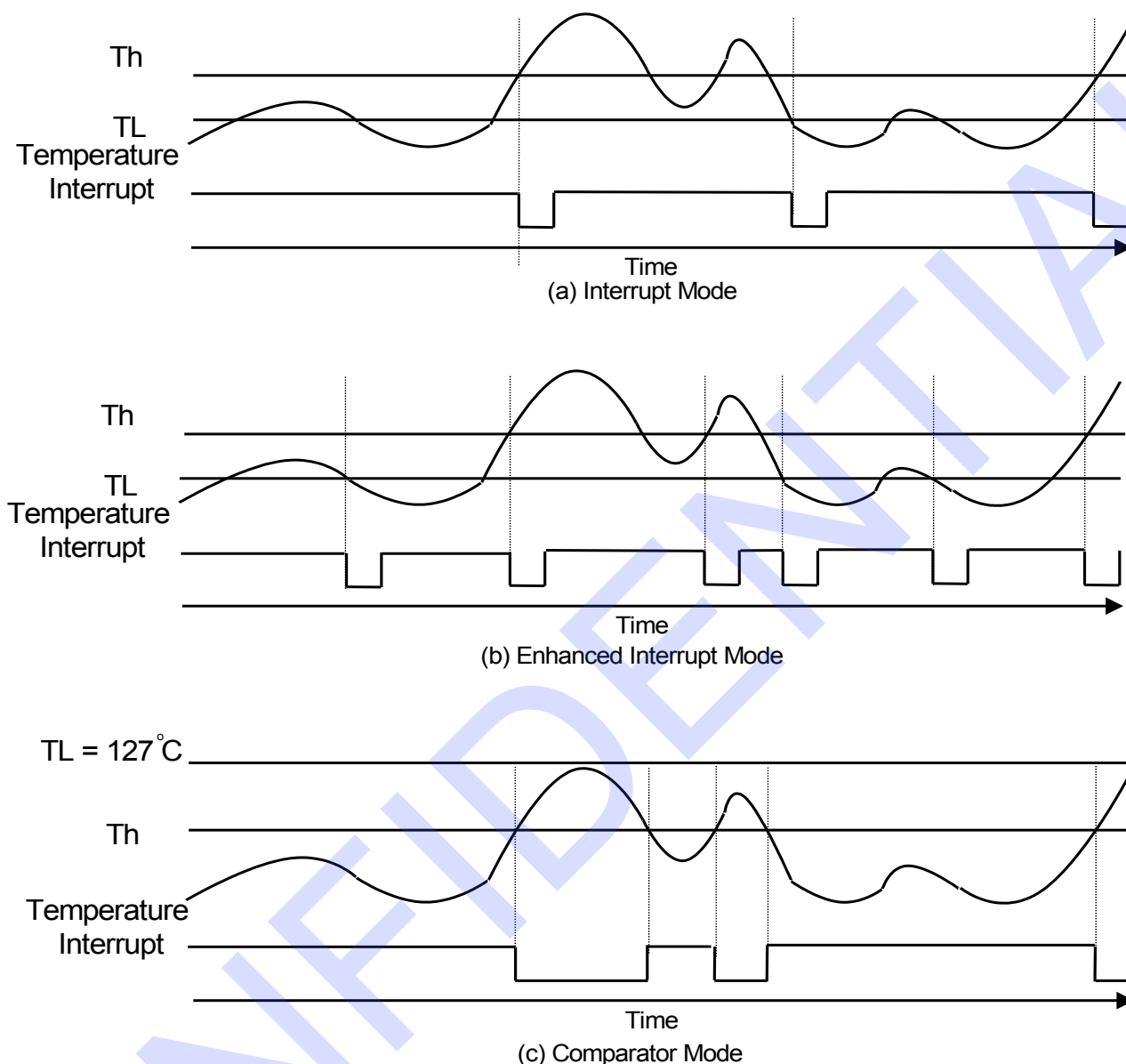
Enhanced Interrupt Mode

When the enhanced interrupt mode is enabled (bit 3, 6 and 7 of Fan Tachometer Control Register (Index=0Ch, Default=00h) for TMPIN1, 2, and 3 respectively) (refer to page 110), an interrupt will be generated when the temperature is higher than the high limit or lower than the low limit.

Comparator Mode

This mode is entered when the TL limit register is set to 127°C. In this mode, an interrupt will be generated whenever the temperature exceeds the Th limit. The interrupt will also be cleared by reading Interrupt Status Register 3 (Index=03h, Default=00h) (refer to page 108), but the interrupt will be set again following the completion of another measurement cycle. It will remain set until the temperature goes below the Th limit.

Figure 9-5. Temperature Interrupt Response Diagram



9.5.3.7 FAN Controller FAN_CTL's ON-OFF and SmartGuardian Modes

The IT8786E-I provides an advanced FAN Controller. Two modes, ON_OFF and SmartGuardian, are provided for each controller. The former is a logical ON or OFF, and the latter is a PWM output. With the addition of external application circuits, the FAN's voltage values can be varied easily.

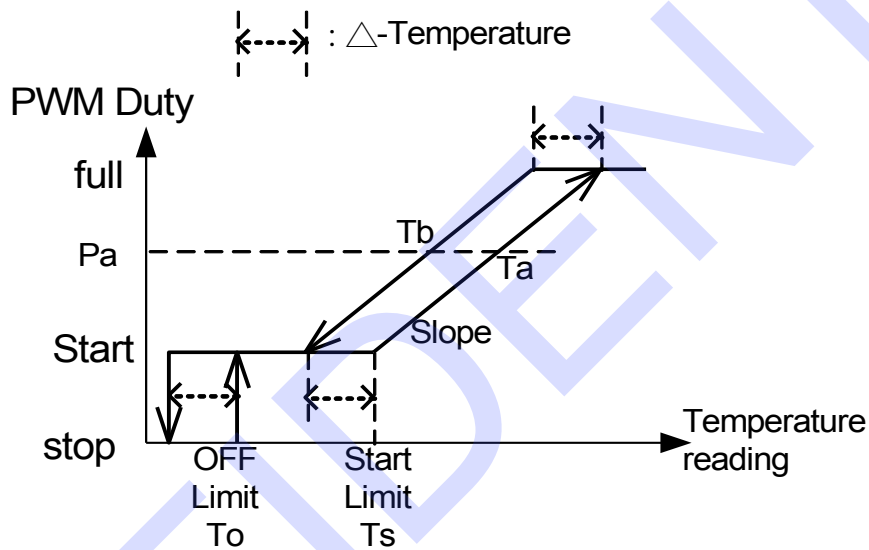
In the SmartGuardian Mode, there are two operational choices, software control or automatic control.

While under software control, the PWM value is subject to the changes in the values of bit 6-0 of FAN_CTL 1-3 PWM Control Registers (Index=15h, 16h, 17h). With the application circuits, FAN_CTL can generate 256 steps of voltage. So, the FAN_CTL 1-3 PWM Control Registers can vary the voltage by changing the PWM value. Fan speeds or other voltage control cooling device can be varied in 256 steps.

While under automatic mode, the PWM value is subject to the temperature inputs by linear changes. When the temperature exceeds a start limit, FAN_CTL spins in a start PWM value (Index 73h, 6Bh, 63h). When the

temperature reading is between the Start limit and the full limit ($=T_s + (256 - \text{Start PWM}) / \text{Slope}$), the PWM value changes depending on the temperature reading if the reading exceeds the right boundary. If the temperature increases $X^\circ\text{C}$, the PWM value will increase $X * K$. K (Slope) is a constant value with 4 bits for the integer and 3 bits for the decimal, and is determined by bit 7 of FAN_CTL 3-1 SmartGuardian Automatic mode Start PWM register and bit 5-0 of FAN_CTL 3-1 SmartGuardian Automatic mode control registers. However, if the reading doesn't exceed the right boundary, the PWM value will keep the original value. For example, if PWM is currently at a value of P_a , it will not change if $T_b < \text{temperature reading} < T_a$. If the new reading (T_{new}) $> T_a$, the new PWM value will be $\text{Start PWM} + K * (T_{\text{new}} - T_s)$. If the new reading $< T_b$, there are two decreasing modes. If bit 7 of FAN_CTL 3-1 SmartGuardian Automatic mode Δ -Temperature is 0, the new PWM value will be $\text{Start PWM} + K * ((T_{\text{new}} + T_a) / 2 - T_s)$. If the bit is 1, the new PWM value will be $\text{Start PWM} + K * (T_{\text{new}} - T_s)$. When the temperature is lower than the start limit but larger than the OFF limit (Index 70h, 68h, 60h), FAN_CTL will not stop, but keep in the start PWM value until the temperature is lower than the OFF limit.

Figure 9-6. SmartGuardian Automatic Mode



9.5.3.8 External Thermal Sensor Programming Procedure

Figure 9-7. PECE Programming Procedure

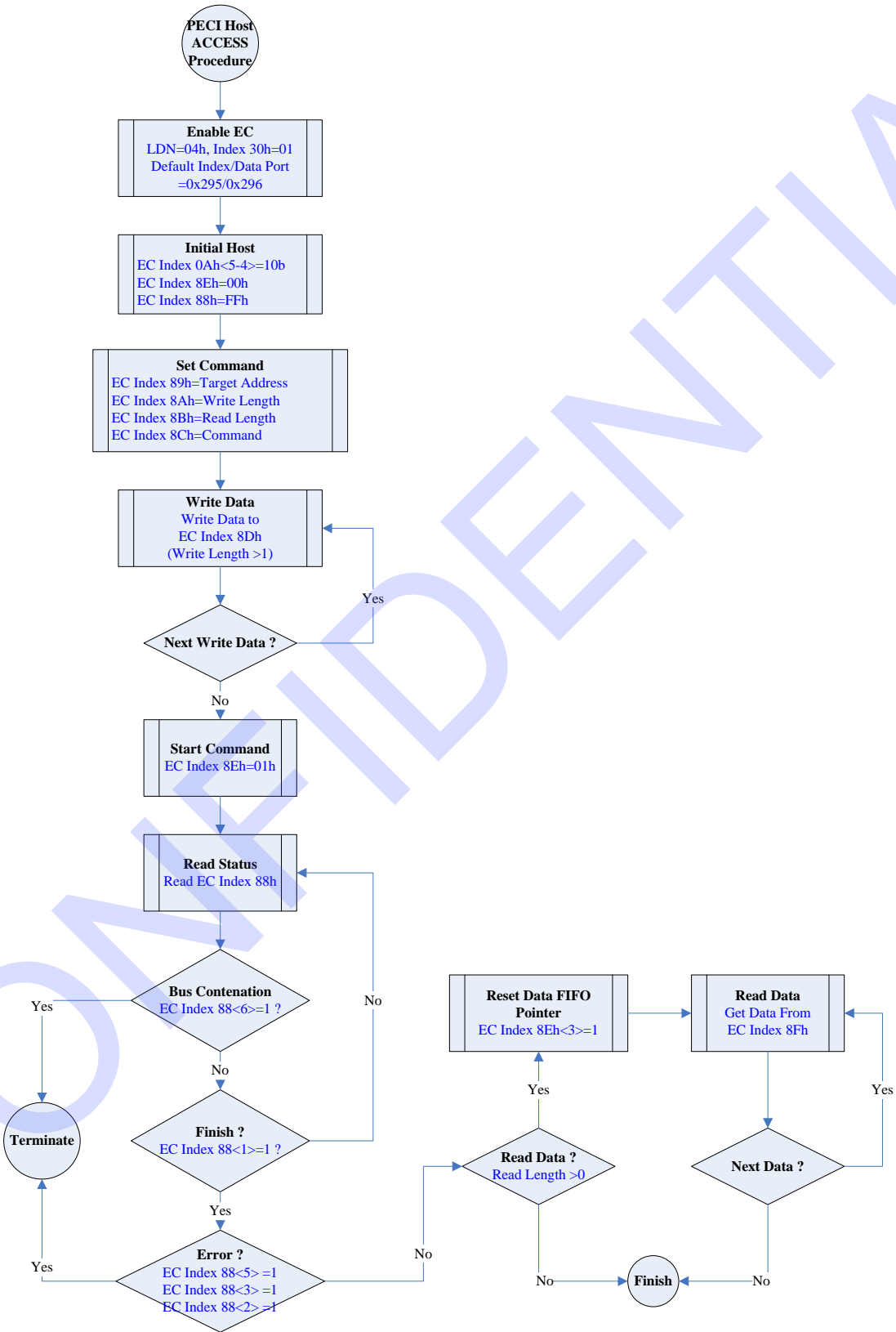


Figure 9-8. SST Host Programming Procedure

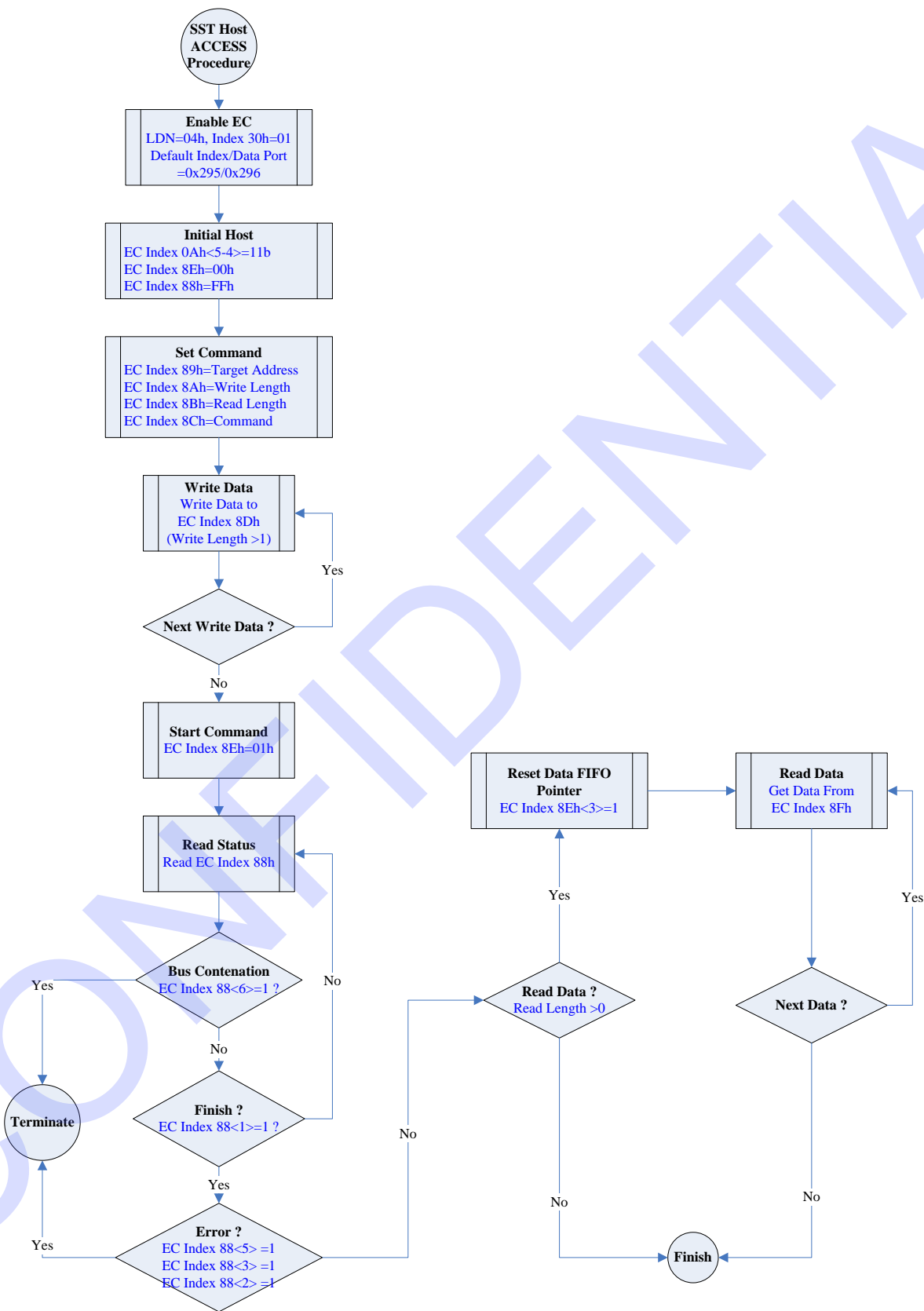
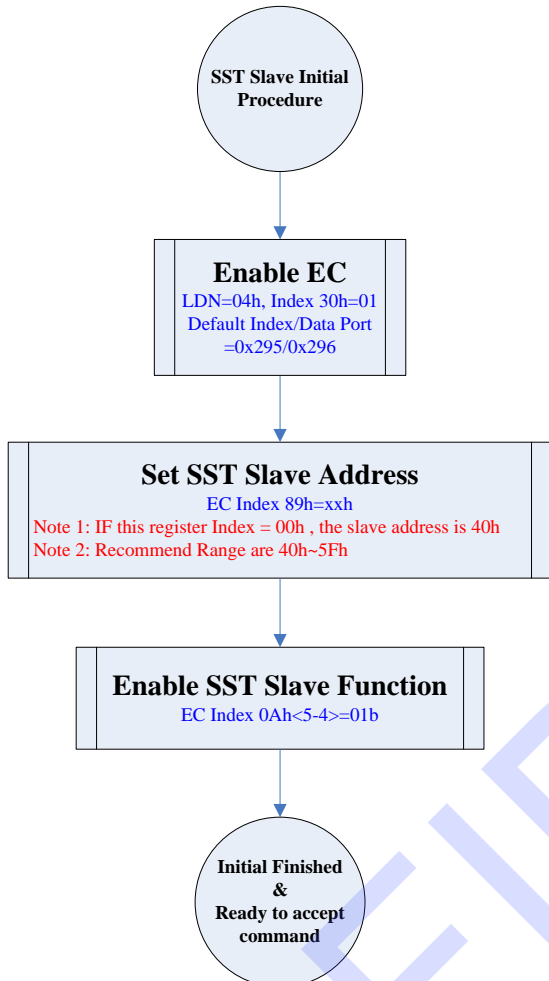


Figure 9-9. SST Slave Programming Procedure



Support Command Example

2010/6/1

Ping()

CMD : --h
Write Length : 00h
Read Length : 00h
For detect device

GetAllTemp()

CMD : 00h
Write Length : 01h
Read Length : 04h
Report SIO EC Index 29hand 2Ah

GetTemp0()

CMD : 00h
Write Length : 01h
Read Length : 02h
Report SIO EC Index 2Ah

GetTemp1()

CMD : 01h
Write Length : 01h
Read Length : 02h
Report SIO EC Index 29h

Figure 9-10. SMBUS Host Programming Procedure

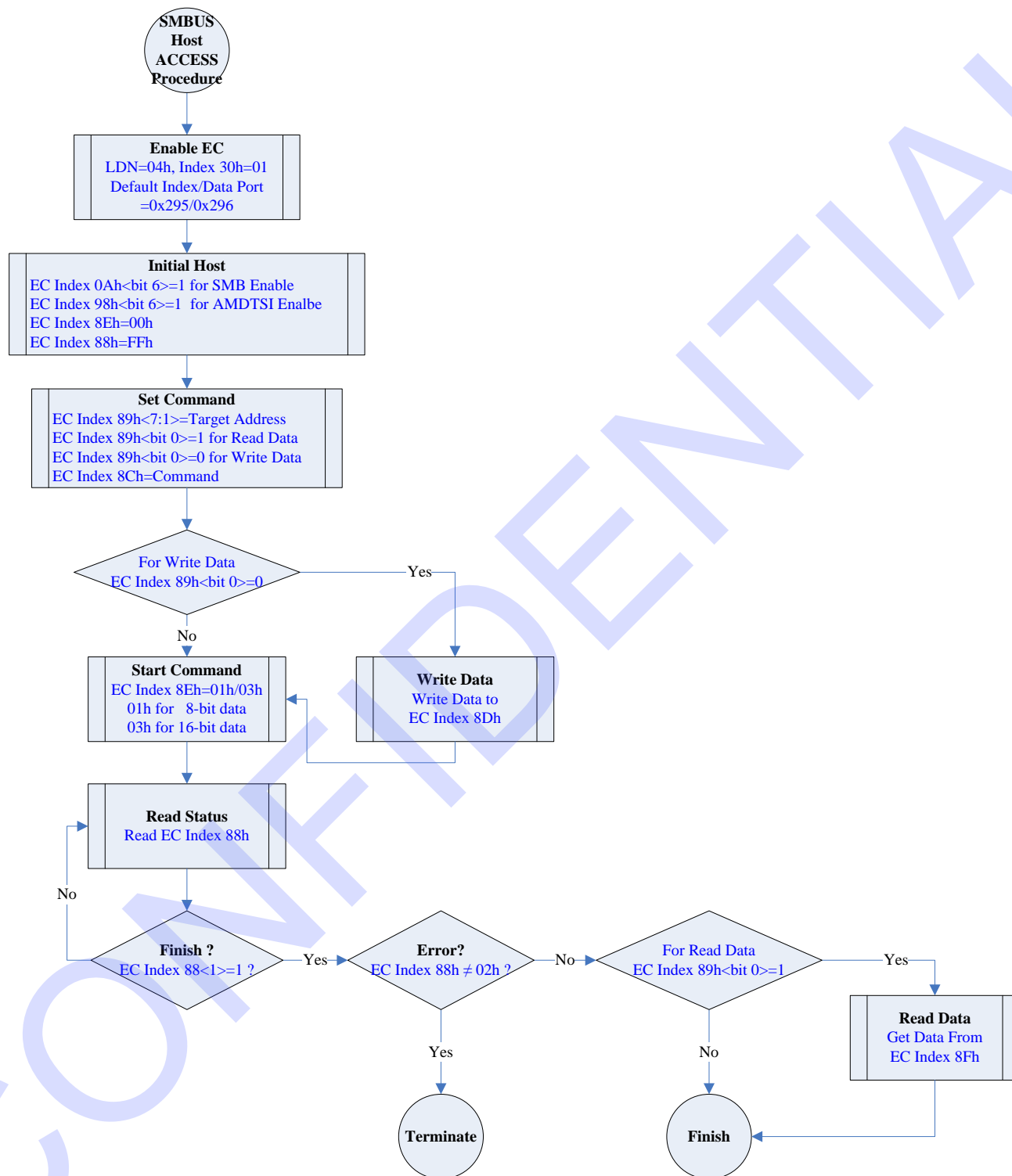


Figure 9-11. AMDTSI Host Programming Procedure

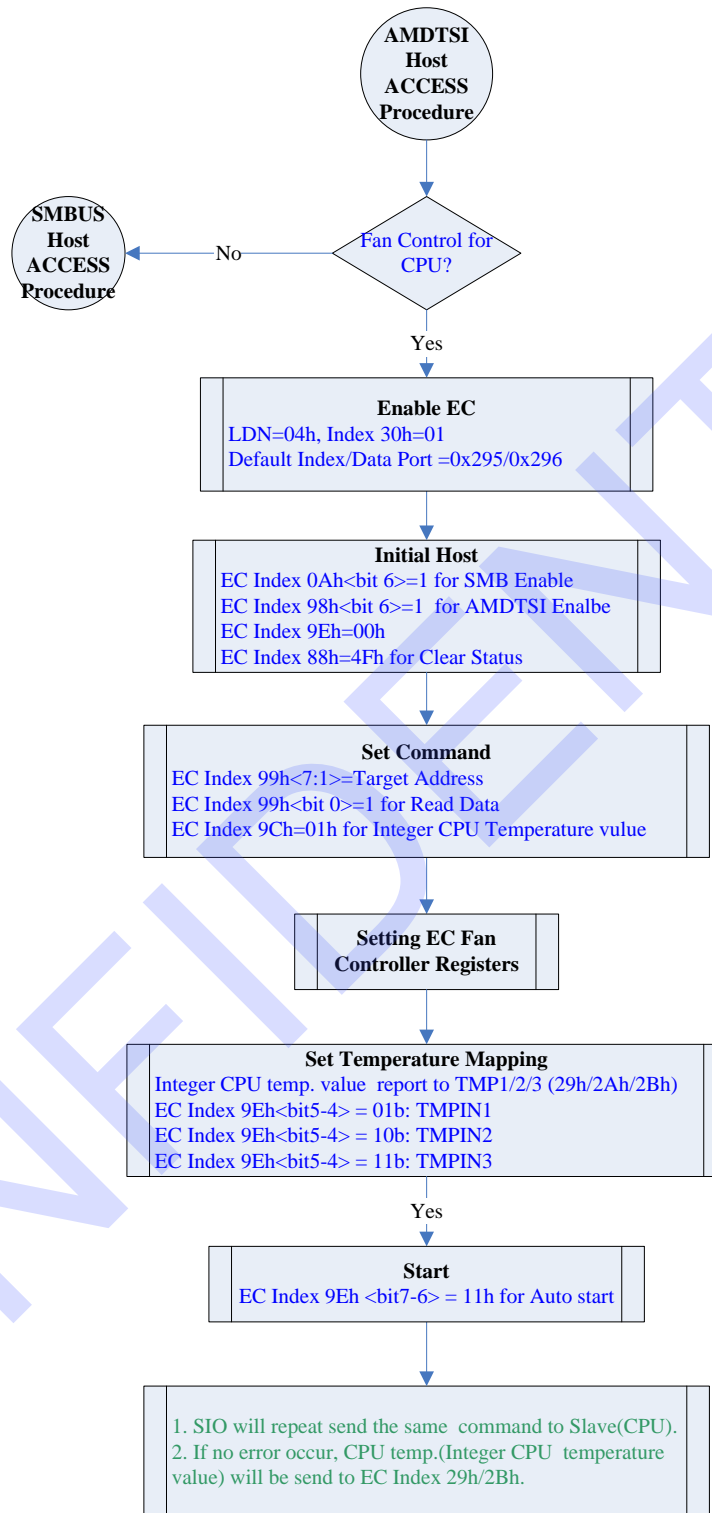
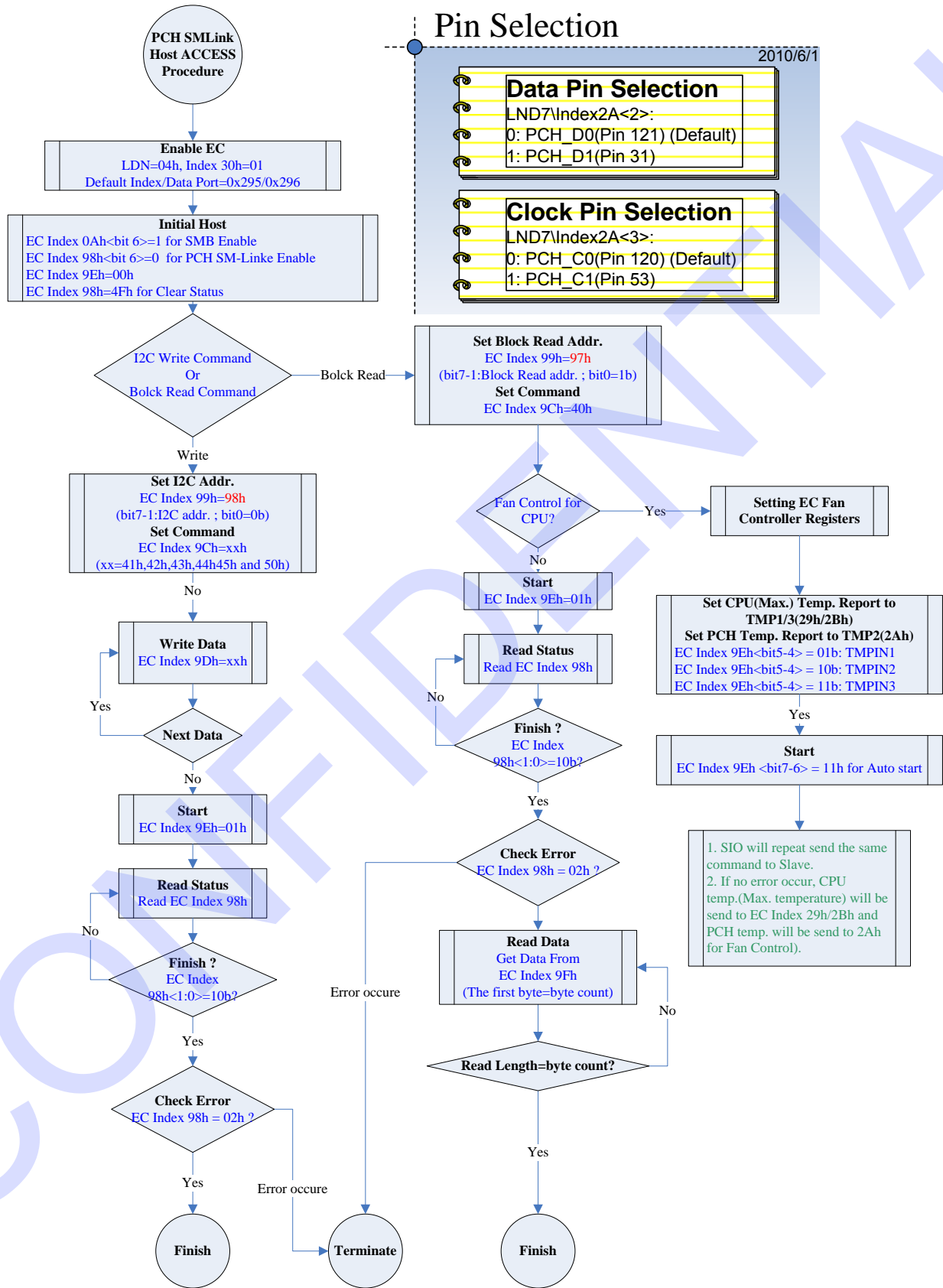


Figure 9-12. PCH SM-Link Programming Procedure



9.6 Serial Port (UART)

The IT8786E-I incorporates six enhanced serial ports that perform serial to parallel conversion on received data, and parallel to serial conversion on transmitted data. Each of the serial channels individually contains a programmable baud rate generator which is capable of dividing the input clock by a number ranging from 1 to 65535. The data rate of each serial port can be programmed from 115.2K baud down to 50 baud as well. The character options are programmable for 1 start bit; 1, 1.5 or 2 stop bits; even, odd, stick or no parity; and privileged interrupts. IT8786E-I supports 128 bytes RX FIFO depths and 16 bytes TX FIFO depths.

Table 9-3. Serial Channel Registers

| Register | DLAB* | Address | READ | WRITE |
|----------|-------|-----------|---|-----------------------------------|
| Data | 0 | Base + 0h | RBR (Receiver Buffer Register) | TBR (Transmitter Buffer Register) |
| Control | 0 | Base + 1h | IER (Interrupt Enable Register) | IER |
| | x | Base + 2h | IIR (Interrupt Identification Register) | FCR (FIFO Control Register) |
| | x | Base + 3h | LCR (Line Control Register) | LCR |
| | x | Base + 4h | MCR (Modem Control Register) | MCR |
| | 1 | Base + 0h | DLL (Divisor Latch LSB) | DLL |
| | 1 | Base + 1h | DLM (Divisor Latch MSB) | DLM |
| Status | x | Base + 5h | LSR (Line Status Register) | LSR |
| | x | Base + 6h | MSR (Modem Status Register) | MSR |
| | x | Base + 7h | SCR (Scratch Pad Register) | SCR |

* DLAB is bit 7 of the Line Control Register.

9.6.1 Data Register

The TBR and RBR individually hold five to eight data bits. If the transmitted data are less than eight bits, it aligns to the LSB. Either received or transmitted data are buffered by a shift register, and are latched first by a holding register. Bit 0 of any word is first received and transmitted.

9.6.1.1 Receiver Buffer Register (RBR) (Read only, Address offset=0, DLAB=0)

This register receives and holds the incoming data. It contains a non-accessible shift register which converts the incoming serial data stream into a parallel 8-bit word.

9.6.1.2 Transmitter Buffer Register (TBR) (Write only, Address offset=0, DLAB=0)

This register holds and transmits the data via a non-accessible shift register, and converts the outgoing parallel data into a serial stream before data transmission.

9.6.2 Control Register

9.6.2.1 Interrupt Enable Register (IER) (Read/Write, Address offset=1, DLAB=0)

The IER is to enable or disable four active high interrupts which activate the interrupt outputs with its lower four bits: IER(0), IER(1), IER(2), and IER(3).

| Bit | Default | Description |
|-----|---------|--|
| 7-4 | - | Reserved |
| 3 | 0 | Enable Modem Status Interrupt Set this bit high to enable the modem status interrupt when one of the modem status registers changes its bit status. |
| 2 | 0 | Enable Receiver Line Status Interrupt Set this bit high to enable the receiver line status interrupt, which happens when overrun, parity, framing or break occurs. |
| 1 | 0 | Enable Transmitter Holding Register Empty Interrupt Set this bit high to enable the transmitter holding register empty interrupt. |
| 0 | 0 | Enable Received Data Available Interrupt Set this bit high to enable the received data available interrupt and time-out interrupt in the FIFO mode. |

9.6.2.2 Interrupt Identification Register (IIR) (Read only, Address offset=2)

This register facilitates the host CPU to determine the interrupt priority and its source. The four existing interrupts are listed below in priority order.

1. Receiver Line Status (highest priority)
2. Received Data Ready
3. Transmitter Holding Register Empty
4. Modem Status (lowest priority)

When a privileged interrupt is pending and the interrupt type is stored in the IIR which is accessed by the host, the serial channel holds back all interrupts and indicates the pending interrupts with the highest priority to the host. Any new interrupts will not be acknowledged until the host access is completed. Please refer to the following table for the detail.

Table 9-4. Interrupt Identification Register

| FIFO Mode | Interrupt Identification Register | | | Interrupt Set and Reset Function | | | | |
|-----------|-----------------------------------|-------|-------|----------------------------------|----------|------------------------------------|---|--|
| | Bit 3 | Bit 2 | Bit 1 | Bit 0 | Priority | Interrupt Type | Interrupt Source | Interrupt Reset Control |
| 0 | X | X | 1 | | - | None | None | - |
| 0 | 1 | 1 | 0 | | First | Receiver Line Status | OE, PE, FE, or BI | Read LSR |
| 0 | 1 | 0 | 0 | | Second | Received Data Available | Received Data Available | Read RBR or FIFO drops below the trigger level |
| 1 | 1 | 0 | 0 | | Second | Character Time-out Indication | No characters have been removed from or input to the RCVR FIFO during the last four character times and there is at least one character in it during this period. | Read RBR |
| 0 | 0 | 1 | 0 | | Third | Transmitter Holding Register Empty | Transmitter Holding Register Empty | Read IIR if THRE is the Interrupt Source Write THR |
| 0 | 0 | 0 | 0 | | Fourth | Modem Status | CTS#, DSR#, RI#, DCD# | Read MSR |

Note: X = Not Defined

IIR(7), IIR(6): Set when FCR(0) = 1.

IIR(5), IIR(4): Always logic 0.

IIR(3): In the non-FIFO mode, this bit is a logic 0. In the FIFO mode, this bit is set along with bit 2 when a time-out Interrupt is pending.

IIR(2), IIR(1): Used to identify the highest priority interrupt pending.

IIR(0): Used to indicate a pending interrupt in either a hard-wired prioritized or polled environment with a logic 0 state. In such a case, IIR contents may be used as a pointer that points to the appropriate interrupt service routine.

9.6.2.3 FIFO Control Register (FCR) (Write Only, Address offset=2)

This register is used to not only enable and clear the FIFO but also set the RCVR FIFO trigger level.

| Bit | Default | Description |
|-----|---------|--|
| 7-6 | - | Receiver Trigger Level Selection These bits are to set the trigger level for the RCVR FIFO interrupt. |
| 5-4 | 0 | Reserved |
| 3 | 0 | This bit does not affect Serial Channel operation. RXRDY and TXRDY functions are not available on this chip. |
| 2 | 0 | Transmitter FIFO Reset This self-cleared bit clears all contents of the XMIT FIFO and resets its related counter to 0 via a logic "1". |
| 1 | 0 | Receiver FIFO Reset Setting this self-cleared bit to a logic "1" will clear all contents of the RCVR FIFO and resets its related counter to "0" (except the shift register). |
| 0 | 0 | FIFO Enable XMIT and RCVR FIFOs are enabled when this bit is set high. XMIT whereas disabled and cleared respectively when this bit is cleared to low. This bit must be a logic "1" if data are written to the other bits of the FCR, or they will not be properly programmed. When this register is switched to the non-FIFO mode, all of its contents will be cleared. |

Table 9-5. Receiver FIFO Trigger Level Encoding

| FCR (7) | FCR (6) | RCVR FIFO Trigger Level |
|---------|---------|-------------------------|
| 0 | 0 | 1 byte |
| 0 | 1 | 4 bytes |
| 1 | 0 | 8 bytes |
| 1 | 1 | 14 bytes |

9.6.2.4 Divisor Latches (DLL, DLM) (Read/Write, Address offset=0,1 DLAB=0)

Two 8-bit Divisor Latches (DLL and DLM) store the divisor values in a 16-bit binary format. They are loaded during initialization to generate a desired baud rate.

9.6.2.5 Baud Rate Generator (BRG)

Each serial channel contains a programmable BRG, which can take any clock input (from DC to 8 MHz) to generate standard ANSI/CCITT bit rates for the channel clocking with an external clock oscillator. The number of DLL or DLM is in 16-bit format, providing the divisor ranging from 1 to 2^{16} to obtain the desired baud rate. The output frequency is 16X data rate.

Table 9-6. Baud Rate Using (24 MHz ÷ 13) Clock

| Desired Baud Rate | Divisor Used |
|-------------------|--------------|
| 50 | 2304 |
| 75 | 1536 |
| 110 | 1047 |
| 134.5 | 857 |
| 150 | 768 |
| 300 | 384 |
| 600 | 192 |
| 1200 | 96 |
| 1800 | 64 |
| 2000 | 58 |
| 2400 | 48 |
| 3600 | 32 |
| 4800 | 24 |
| 7200 | 16 |
| 9600 | 12 |
| 19200 | 6 |
| 38400 | 3 |
| 57600 | 2 |
| 115200 | 1 |

9.6.2.6 Scratch Pad Register (Read/Write, Address offset=7)

This 8-bit register does not control the UART operation in any way. It is intended as a scratch pad register to be used by programmers to temporarily hold general purpose data.

9.6.2.7 Line Control Register (LCR) (Read/Write, Address offset=3)

LCR controls the format of the data character and supplies the information of the serial line.

| Bit | Default | Description |
|-----|---------|---|
| 7 | 0 | Divisor Latch Access Bit (DLAB) This bit must be set high to access the Divisor Latches of the baud rate generator during READ or WRITE operation whereas set low to access Data Register (refer to page 121) or Interrupt Identification Register (IIR) (Read only, Address offset=2) (refer to page 122). |
| 6 | 0 | Set Break This bit forces the Serial Output (SOUT) to the spacing state (logic 0) by a logic 1, which will be preserved until a low level resetting LCR(6), enabling the serial port to alert the terminal in a communication system. |
| 5 | 0 | Stick Parity When this bit and LCR(3) are high at the same time, the parity bit is transmitted and then detected by a receiver in an opposite state by LCR(4) to force the parity bit into a known state and to check the parity bit in a known state. |
| 4 | 0 | Even Parity Selection When the parity is enabled (LCR(3) = 1), 0: Odd parity 1: Even parity |
| 3 | 0 | Parity Enable A parity bit, located between the last data word bit and stop bit, will be generated or checked (transmit or receive data) when LCR(3) is high. |
| 2 | 0 | Number of Stop Bit This bit specifies the number of stop bits in each serial character, as summarized in Table 9-7. Stop Bit Number Encoding. |
| 1-0 | 00 | Word Length Select [1:0] 11: 8 bits 10: 7 bits 01: 6 bits 00: 5 bits |

Table 9-7. Stop Bit Number Encoding

| LCR (2) | Word Length | No. of Stop Bit |
|---------|-------------|-----------------|
| 0 | - | 1 |
| 1 | 5 bits | 1.5 |
| 1 | 6 bits | 2 |
| 1 | 7 bits | 2 |
| 1 | 8 bits | 2 |

Note: The receiver will ignore all stop bits beyond the first, regardless of the number used in transmission.

9.6.2.8 Modem Control Register (MCR) (Read/Write, Address offset=4)

This register controls the interface by the modem or data set (or device emulating a modem).

| Bit | Default | Description |
|-----|---------|---|
| 7 | - | Reserved |
| 6 | 0 | 9-bit Multi-Drops Mode TX Address and Data Select 1: Address phase 0: Data phase PS: This bit is valid if 9-bit multi-drops mode is enabled. |
| 5 | 0 | Reserved |
| 4 | 0 | Internal Loopback This bit provides a loopback feature for diagnostic test of the serial channel when set high. Serial Output (SOUT) is set to the Marking State Shift Register output loops back into the Receiver Shift Register. All Modem Control inputs (CTS#, DSR#, RI# and DCD#) are disconnected. The four Modem Control outputs (DTR#, RTS#, OUT1 and OUT2) are internally connected to the four Modem Control inputs and forced to inactive high then the transmitted data are immediately received, allowing the processor to verify the transmitted and received data path of the serial channel. |
| 3 | 0 | OUT2 The Output 2 bit enables the serial port interrupt output by a logic 1. |
| 2 | 0 | OUT1 This bit does not have an output pin and can only be read or written by CPU. |
| 1 | 0 | Request to Send (RTS) This bit controls the Request to Send (RTS#), which is in an inverse logic state with that of MCR(1). |
| 0 | 0 | Data Terminal Ready (DTR) This bit controls the Data Terminal Ready (DTR#), which is in an inverse logic state with that of the MCR(0). |

9.6.3 Status Registers

9.6.3.1 Line Status Register (LSR) (Read/Write, Address offset=5)

This register provides the status indication and is usually the first register read by the CPU to determine the cause of an interrupt or to poll the status of each serial channel. The contents of the LSR are described below:

| Bit | Default | Description |
|-----|---------|---|
| 7 | 0 | Error in Receiver FIFO In the 16450 mode, this bit is always 0. In the FIFO mode, it is set high when there is at least one parity error, framing or break interrupt in the FIFO. This bit is cleared when the CPU reads the LSR if there are no subsequent errors in the FIFO. |
| 6 | 1 | Transmitter Empty This read only bit indicates that the Transmitter Holding Register and Transmitter Shift Register are both empty. Otherwise, this bit is "0" and has the same function as that in the FIFO mode. |
| 5 | 1 | Transmitter Holding Register Empty (THRE) This read only bit indicates that the TBR is empty and is ready to accept a new character for transmission. It is set high when a character is transferred from the THR into the Transmitter Shift Register, causing a priority 3 IIR interrupt which is cleared by a read of IIR. In the FIFO mode, it is set when the XMIT FIFO is empty, and is cleared when at least one byte is written to the XMIT FIFO. |
| 4 | 0 | Line Break The Line Break (LB) Interrupt status bit indicates that the last character received is a break character, which is invalid but complete. It includes parity and stop bits. This situation occurs when the received data input is held in the spacing (logic 0) for longer than a full word transmission time (start bit + data bits + parity + stop bit). When any of these error conditions is detected (LSR(1) to LSR(4)), a Receiver Line Status interrupt (priority 1) will be generated in IIR, with bit 2 of Interrupt Enable Register (IER) (Read/Write, Address offset=1, DLAB=0) previously enabled(refer to page 122). |
| 3 | 0 | Framing Error (FE) A logic 1 indicates that the stop bit in the received character is not valid. It will be reset low when CPU reads the contents of the LSR. |
| 2 | 0 | Parity Error (PE) A logic 1 indicates that the received data character does not have the correct even or odd parity, as selected by LCR(4). It will be reset to "0" whenever LSR is read by CPU. |
| 1 | 0 | Overrun Error (OE) A logic 1 indicates that the RBR has been overwritten by the next character before it had been read by the CPU. In the FIFO mode, OE occurs when FIFO is full and the next character has been completely received by the Shift Register. It will be reset when LSR is read by the CPU. |
| 0 | 0 | Data Ready A logic 1 indicates a character has been received by RBR. A logic 0 indicates all the data in RBR or RCVR FIFO have been read. |

9.6.3.2 Modem Status Register (MSR) (Read/Write, Address offset=6)

This 8-bit register indicates the current state of the control lines with modems or the peripheral devices in addition to this current state information. Four of these eight bits, MSR(4) - MSR(7), can provide the state change information when the modem control input changes the state. It is reset low when the host reads the MSR.

| Bit | Default | Description |
|-----|---------|---|
| 7 | 0 | Data Carrier Detect(DCD) This bit indicates the complement status of Data Carrier Detect (DCD#) input. If MCR(4) = 1, MSR(7) is equivalent to OUT2 of the MCR. |
| 6 | 0 | Ring Indicator(RI) This bit indicates the complement status to the RI# input. If MCR(4)=1, MSR(6) is equivalent to OUT1 in the MCR. |
| 5 | 0 | Data Set Ready(DSR) This bit indicates that the modem is ready to provide received data to the serial channel receiver circuitry. If the serial channel is in the loop mode (MCR(4) = 1), MSR(5) is equivalent to DTR# of MCR. |
| 4 | 0 | Clear to Send(CTS) This bit indicates the complement of CTS# input. When the serial channel is in the Loop mode (MCR(4)=1), MSR(5) is equivalent to RTS# of MCR. |
| 3 | 0 | Delta Data Carrier Detect(DDCD) This bit indicates that the DCD# input state has been changed since being read by the host last time. |
| 2 | 0 | Trailing Edge Ring Indicator(TERI) This bit indicates that the RI input state to the serial channel has been changed from low to high since being read by the host last time. The change in a logic "1" does not activate the TERI. |
| 1 | 0 | Delta Data Set Ready(DDSR) A logic "1" indicates that the DSR# input state to the serial channel has been changed since being read by the host last time. |
| 0 | 0 | Delta Clear to Send(DCTS) This bit indicates the CTS# input to the chip has changed the state since MSR was read last time. |

9.6.4 Reset

The reset of the IT8786E-I should be held to an idle mode reset high for 500 ns until initialization, which causes the initialization of the internal clock counters of transmitter and receiver.

Table 9-8. Reset Control of Register and Pinout Signal

| Register/Signal | Reset Control | Reset Status |
|-----------------------------------|---------------|---------------------------------------|
| Interrupt Enable Register | Reset | All bits Low |
| Interrupt Identification Register | Reset | Bit 0 is high and bits 1-7 are low |
| FIFO Control Register | Reset | All bits Low |
| Line Control Register | Reset | All bits Low |
| Modem Control Register | Reset | All bits Low |
| Line Status Register | Reset | Bits 5 and 6 are high, others are low |
| Modem Status Register | Reset | Bits 0-3 low, bits 4-7 input signals |
| SOUT1, SOUT2 | Reset | High |
| RTS1#, RTS2#, DTR1#, DTR2# | Reset | High |
| IRQ of Serial Port | Reset | High Impedance |

9.6.5 Programming

Each serial channel of the IT8786E-I is programmed by control registers, whose contents define the character length, number of stop bits, parity, baud rate and modem interface. Even though these control registers can be written in any given order, IER should be the last register written because it controls whether the interrupt is enabled or not. After the port is programmed, these registers still can be updated whenever the port does not transfer data.

9.6.6 Software Reset

This approach allows the serial port to return to a completely known state without a system reset. It is achieved by writing the required data to LCR, DLL, DLM and MCR. LSR and RBR must be read before interrupts are enabled to clear out any residual data or status bits that may be invalid for subsequent operations.

9.6.7 Clock Input Operation

The input frequency of the Serial Channel is $24 \text{ MHz} \div 13$, not exactly 1.8432 MHz.

9.6.8 FIFO Interrupt Mode Operation

(1) RCVR Interrupt

By setting bit 0 of FIFO Control Register (FCR) (Write Only, Address offset=2) (refer to page 124) and bit 0 of Interrupt Enable Register (IER) (Read/Write, Address offset=1, DLAB=0) (refer to page 122) high, the RCVR FIFO and receiver interrupts are enabled. The RCVR interrupt occurs under the following conditions:

The receive data available interrupt will be issued only when the FIFO has reached its programmed trigger level and cleared as soon as the FIFO drops below its trigger level.

The receiver line status interrupt has higher priority over the received data available interrupt.

The time-out timer will be reset after receiving a new character or after the host reads RCVR FIFO whenever a time-out interrupt occurs. The timer will be reset when the host reads one character from RCVR FIFO.

For the RCVR FIFO time-out interrupt, it will occur under the following conditions by enabling the RCVR FIFO and receiver interrupts:

The RCVR FIFO time-out interrupt will occur only if there is at least one character in FIFO whenever the interval between the most recently received serial character and the most recent Host READ from the FIFO is longer than four consecutive character times.

The time-out timer will be reset after receiving a new character or after the host reads RCVR FIFO whenever a time-out interrupt occurs. The timer will be reset when the host reads one character from RCVR FIFO.

(2) XMIT Interrupt

By setting bit 0 of FIFO Control Register (FCR) (Write Only, Address offset=2) (refer to page 124) and bit 1 of Interrupt Enable Register (IER) (Read/Write, Address offset=1, DLAB=0) (refer to page 122) high, the XMIT FIFO and transmitter interrupts are enabled. The XMIT interrupt occurs under the following conditions:

- a. The transmitter interrupt occurs when the XMIT FIFO is empty, and it will be reset if the THR is written or the IIR is read.
- b. The transmitter FIFO empty indications will be delayed for one character time minus the last stop bit time whenever the following condition occurs:

THRE = 1 and there have not been at least two bytes in the transmitter FIFO at the same time since the last THRE = 1. The transmitter interrupt after changing FCR(0) will be immediate if it is enabled. Once the first transmitter interrupt is enabled, the THRE indication will be delayed for one character time minus the last stop bit time.

The character time-out and RCVR FIFO trigger level interrupts have the same priority as the received data available interrupt. The XMIT FIFO empty has the same priority as the transmitter holding register empty interrupt.

FIFO Polled Mode Operation [FCR(0)=1, and IER(0), IER(1), IER(2), IER(3) or all are 0].

Either or both XMIT and RCVR can be in this operation mode. The operation mode can be programmed by users and is responsible for checking the RCVR and XMIT status via LSR described below:

LSR(7): RCVR FIFO error indication

LSR(6): XMIT FIFO and Shift register empty

LSR(5): The XMIT FIFO empty indication

LSR(4) - LSR(1): Specify that errors have occurred. The character error status is handled in the same way as that in the interrupt mode. The IIR is not affected since IER(2)=0.

LSR(0): High whenever RCVR FIFO contains at least one byte.

No trigger level is reached or time-out condition indicated in FIFO Polled Mode.

9.7 Parallel Port

The IT8786E-I incorporates one multi-mode high performance parallel port, which supports the IBM AT, PS/2 compatible bi-directional Standard Parallel Port (SPP), the Enhanced Parallel Port (EPP) and the Extended Capabilities Port (ECP). For enabling/disabling, changing the base address of the parallel port, and operation mode selection, please refer to section 0 configuration registers on page 54 for the detail.

Table 9-9. Parallel Port Connector in Different Modes

| Host Connector | Pin No. | SPP | EPP | ECP |
|----------------|---------|---------|----------|--------------------------|
| 1 | 11 | STB# | WRITE# | NStrobe |
| 2-9 | 12-19 | PD0 - 7 | PD0 - 7 | PD0 - 7 |
| 10 | 6 | ACK# | INTR | nAck |
| 11 | 5 | BUSY | WAIT# | Busy PeriphAck(2) |
| 12 | 4 | PE | (NU) (1) | PError nAckReverse(2) |
| 13 | 3 | SLCT | (NU) (1) | Select |
| 14 | 10 | AFD# | DSTB# | nAutoFd HostAck(2) |
| 15 | 9 | ERR# | (NU) (1) | nFault nPeriphRequest(2) |
| 16 | 8 | INIT# | (NU) (1) | nInit nReverseRequest(2) |
| 17 | 7 | SLIN# | ASTB# | nSelectIn |

Note 1: NU: Not used

Note 2: Fast mode

Note 3: For more information, please refer to the IEEE 1284 standard.

9.7.1 SPP and EPP Mode

Table 9-10. Address Map and Bit Map for SPP and EPP Mode

| Register | Address | I/O | D0 | D1 | D2 | D3 | D4 | D5 | D6 | D7 | Mode |
|------------------|-----------|-----|-----------|-----|------|------|------|-------|------|-------|---------|
| Data Port | Base 1+0h | R/W | PD0 | PD1 | PD2 | PD3 | PD4 | PD5 | PD6 | PD7 | SPP/EPP |
| Status Port | Base 1+1h | R | TMOU T | 1 | 1 | ERR# | SLCT | PE | ACK# | BUSY# | SPP/EPP |
| Control Port | Base 1+2h | R/W | STB | AFD | INIT | SLIN | IRQE | PDDIR | 1 | 1 | SPP/EPP |
| EPP Address Port | Base 1+3h | R/W | PD0 | PD1 | PD2 | PD3 | PD4 | PD5 | PD6 | PD7 | EPP |
| EPP Data Port 0 | Base 1+4h | R/W | PD0 | PD1 | PD2 | PD3 | PD4 | PD5 | PD6 | PD7 | EPP |
| EPP Data Port 1 | Base 1+5h | R/W | PD0 | PD1 | PD2 | PD3 | PD4 | PD5 | PD6 | PD7 | EPP |
| EPP Data Port 2 | Base 1+6h | R/W | PD0 | PD1 | PD2 | PD3 | PD4 | PD5 | PD6 | PD7 | EPP |
| EPP Data Port 3 | Base 1+7h | R/W | PD0 | PD1 | PD2 | PD3 | PD4 | PD5 | PD6 | PD7 | EPP |

Note 1: The Base address 1 depends on the Logical Device configuration registers of Parallel Port (0X60, 0X61).

9.7.1.1 Data Port Register (Base Address 1 + 00h)

This is a bi-directional 8-bit data port. The direction of data flow is determined by bit 5 of the logic state of Control Port Register (Base Address 1 + 02h), which forwards the direction when the bit is low (0) whereas reverses the direction when the bit is high (1).

9.7.1.2 Status Port Register (Base Address 1 + 01h)

This is a **read only** register. Writing data to this register has no effects. The contents of this register are latched during an IOR cycle.

Bit 7: BUSY#

Inverse of printer BUSY signal; a logic "0" means that the printer is busy and cannot accept another character whereas a logic "1" means that it is ready to accept the next character.

Bit 6: ACK#

Printer acknowledge; a logic "0" means that the printer has received a character and is ready to accept another whereas a logic "1" means that it is still processing the last character.

Bit 5: PE

Paper end; a logic "1" indicates the paper end.

Bit 4: SLCT

Printer selected; a logic "1" means that the printer is on line.

Bit 3: ERR#

Printer error signal; a logic "0" means an error has been detected.

Bits 2-1: Reserved

These bits are always "1" at read.

Bit 0: TMOUT

This bit is valid only in the EPP mode and indicates that a 10-msec time-out has occurred in EPP operation. A logic "0" means no time-out occurs whereas a logic "1" means that a time-out error has been detected. This bit is cleared by an LRESET# or by writing a logic "1" to it. When the chip is selected as the non-EPP mode (SPP or ECP), this bit is always a logic "1" at read.

9.7.1.3 Control Port Register (Base Address 1 + 02h)

This is a **read/write** register and the port provides all output signals to control the printer.

Bit 7-6: Reserved

These two bits are always "1" at read.

Bit 5: PDDIR

Data port direction control. This bit determines the direction of the data port register. Set this bit "0" to output the data port to PD bus whereas "1" to input from PD bus.

Bit 4: IRQE

Interrupt request enable. Setting this bit "1" enables the interrupt request from the parallel port to the host. An interrupt request is generated by a "0" to "1" transition of the ACK# signal.

Bit 3: SLIN

Inverse of SLIN# pin; setting this bit to "1" selects the printer.

Bit 2: INIT

Initiate printer; setting this bit to "0" initializes the printer.

Bit 1: AFD

Inverse of the AFD# pin; setting this bit to "1" causes the printer to automatically advance one line after each line is printed.

Bit 0: STB

Inverse of the STB# pin; this pin controls the data strobe signal to the printer.

9.7.1.4 EPP Address Port Register (Base Address 1 + 03h)

The EPP Address Port is only available in the EPP mode. When the host writes data to this port, the contents of D0 -D7 are buffered and output to PD0 - PD7. The leading edge of IOW (Internal signal, active when LPC I/O WRITE cycle is at this address) causes an EPP ADDRESS WRITE cycle. When the host reads data from this port, the contents of PD0 - PD7 are read. The leading edge of IOR (Internal signal, active when LPC I/O READ cycle is at this address) causes an EPP ADDRESS READ cycle.

9.7.1.5 EPP Data Port 0-3 Register (Base Address 1 + 04-07h)

The EPP Data Ports are only available in the EPP mode. When the host writes data to these ports, the contents of D0 - D7 are buffered and output to PD0 - PD7. The leading edge of IOW (Internal signal, active when LPC I/O WRITE cycle is at this address) causes an EPP DATA WRITE cycle. When the host reads data from these ports, the contents of PD0 - PD7 are read. The leading edge of IOR (Internal signal, active when LPC I/O READ cycle is at this address) causes an EPP DATA READ cycle.

9.7.2 EPP Mode Operation

When the parallel port of the IT8786E-I is set in the EPP mode, the SPP mode is also available. If no EPP Address/Data Port address is decoded (Base address + 03h- 07h), the PD bus is in the SPP mode, and the output signals such as STB#, AFD#, INIT#, and SLIN# are set by Control Port Register (Base Address 1 + 02h) (refer to page 133). The direction of the data port is controlled by bit 5 of Control Port Register (Base Address 1 + 02h). There is a 10-msec time required to prevent the system from lockup. The time has elapsed from the beginning of the IOCHRDY (Internal signal: When active, the IT8786E-I will issue Long Wait in SYNC field) high (EPP READ/WRITE cycle) to WAIT# being de-asserted. If a time-out occurs, the current EPP READ/WRITE cycle will be aborted and a logic "1" will be read from bit 0 of Status Port Register (Base Address 1 + 01h) (refer to page 133). The host must write 0 to bit 0, 1, 3 of Control Port Register (Base Address 1 + 02h) before any EPP READ/WRITE cycle (EPP spec.). Pin STB#, AFD# and SLIN# are controlled by hardware for the hardware handshaking during EPP READ/WRITE cycle.

9.7.2.1 EPP ADDRESS WRITE

1. The host writes a byte to the EPP Address Port (Base address + 03h). The chip drives D0 - D7 onto PD0 - PD7.
2. The chip asserts WRITE# (STB#) and ASTB# (SLIN#) after IOW becomes active.
3. The peripheral de-asserts WAIT#, indicating that the chip may begin the termination of this cycle. Then, the chip de-asserts ASTB#, latches the address from D0 - D7 to PD bus, allowing the host to complete the I/O WRITE cycle.
4. The peripheral asserts WAIT#, indicating that it acknowledges the termination of the cycle. Then, the chip de-asserts WRITE to terminate the cycle.

9.7.2.2 EPP ADDRESS READ

1. The host reads a byte from the EPP Address Port. The chip drives PD bus to tri-state for the peripheral to drive.
2. The chip asserts ASTB# after IOR becomes active.
3. The peripheral drives the PD bus valid and de-asserts WAIT#, indicating that the chip may begin the termination of this cycle. Then, the chip de-asserts ASTB#, latches the address from PD bus to D0 -D7, allowing the host to complete the I/O READ cycle.
4. The peripheral drives the PD bus to tri-state and then asserts WAIT#, indicating that it acknowledges the termination of the cycle.

9.7.2.3 EPP DATA WRITE

1. The host writes a byte to the EPP Data Port (Base address +04h - 07h). The chip drives D0- D7 onto PD0 - PD7.
2. The chip asserts WRITE# (STB#) and DSTB# (AFD#) after IOW becomes active.
3. The peripheral de-asserts WAIT#, indicating that the chip may begin the termination of this cycle. Then, the chip de-asserts DSTB#, latches the data from D0 - D7 to the PD bus, allowing the host to complete the I/O WRITE cycle.
4. The peripheral asserts WAIT#, indicating that it acknowledges the termination of the cycle. Then, the chip de-asserts WRITE# to terminate the cycle.

9.7.2.4 EPP DATA READ

1. The host reads a byte from the EPP DATA Port (Base address +04h - 07h). The chip drives PD bus to tri-state for the peripheral to drive.
2. The chip asserts DSTB# after IOR becomes active.
3. The peripheral drives PD bus valid and de-asserts WAIT#, indicating that the chip may begin the termination of this cycle. Then, the chip de-asserts DSTB#, latches the data from PD bus to D0 - D7, allowing the host to complete the I/O READ cycle.
4. The peripheral tri-states the PD bus and then asserts WAIT#, indicating that it acknowledges the termination of the cycle.

9.7.3 ECP Mode Operation

This mode is both software and hardware compatible with the existing parallel ports, allowing ECP to be used as a standard LPT port when the ECP mode is not required. It provides an automatic high-burst-bandwidth channel that supports the DMA or ECP mode in both forward and reverse directions. A 16-byte FIFO is implemented in both forward and reverse directions to smooth data flow and enhance the maximum bandwidth requirement allowed. The port supports automatic handshaking for the standard parallel port to improve compatibility and expedite the mode transfer. It also supports hardware run-length encoded (RLE) decompression. Compression is accomplished by counting identical bytes and transmitting an RLE byte that indicates how many times a byte has been repeated. The IT8786E-I does not support hardware RLE compression. For the detailed description, please refer to "Extended Capabilities Port Protocol and ISA Interface Standard".

Table 9-11. Bit Map of ECP Register

| Register | D7 | D6 | D5 | D4 | D3 | D2 | D1 | D0 |
|----------|-------------------------------|-----------|--------|------------|----------|-------------|--------|--------|
| data | PD7 | PD6 | PD5 | PD4 | PD3 | PD2 | PD1 | PD0 |
| ecpAFifo | Addr/RLE Address or RLE field | | | | | | | |
| dsr | nBusy | nAck | PError | Select | nFault | 1 | 1 | 1 |
| dcr | 1 | 1 | PDDIR | IRQE | SelectIn | nIntr | AutoFd | Strobe |
| cFifo | Parallel Port Data FIFO | | | | | | | |
| ecpDFifo | ECP Data FIFO | | | | | | | |
| tFifo | Test FIFO | | | | | | | |
| cnfgA | 0 | 0 | 0 | 1 | 0 | 0 | 0 | 0 |
| cnfgB | 0 | intrValue | 0 | 0 | 0 | 0 | 0 | 0 |
| ecr | mode | | | nErrIntrEn | dmaEn | ServiceIntr | full | empty |

9.7.3.1 ECP Register Definition

| Name | Address | I/O | ECP Mode | Function |
|----------|--------------|-----|----------|---------------------------|
| data | Base 1 +000h | R/W | 000-001 | Data Register |
| ecpAFifo | Base 1 +000h | R/W | 011 | ECP FIFO (Address) |
| dsr | Base 1 +001h | R/W | All | Status Register |
| dcr | Base 1 +002h | R/W | All | Control Register |
| cFifo | Base 2 +000h | R/W | 010 | Parallel Port Data FIFO |
| ecpDFifo | Base 2 +000h | R/W | 011 | ECP FIFO (DATA) |
| tFifo | Base 2 +000h | R/W | 110 | Test FIFO |
| cnfgA | Base 2 +000h | R | 111 | Configuration Register A |
| cnfgB | Base 2 +001h | R | 111 | Configuration Register B |
| ecr | Base 2 +002h | R/W | All | Extended Control Register |

Note 1: Base address 1 depends on Parallel Port Primary Base Address MSB Register (Index=60h, Default=03h) and Parallel Port Primary Base Address LSB Register (Index=61h, Default=78h) (refer to page 55 and 55).

Note 2: Base address 2 depends on the Parallel Port Secondary Base Address MSB Register (Index=62h, Default=07h) and Parallel Port Secondary Base Address LSB Register (Index=63h, Default=78h) (refer to page 55 and 55).

9.7.3.2 ECP Mode Description

| Mode | Description |
|------|-----------------------------|
| 000 | Standard Parallel Port Mode |
| 001 | PS/2 Parallel Port Mode |
| 010 | Parallel Port FIFO Mode |
| 011 | ECP Parallel Port Mode |
| 110 | Test Mode |
| 111 | Configuration Mode |

Note: For the mode selection, please refer to ECP Register Definition on page 136 for the detail.

9.7.3.3 ECP Pin Description

| Name | Attribute | Description |
|-------------------------|-----------|--|
| nStrobe (HostClk) | O | Used for handshaking with Busy to write data and addresses into the peripheral device |
| PD0-PD7 | I/O | Address or data or RLE data |
| nAck (PeriphClk) | I | Used for handshaking with nAutoFd to transfer data from the peripheral device to the host |
| Busy (PeriphACK) | I | The peripheral uses this signal for flow control in the forward direction (handshaking with nStrobe) whereas for determining whether a command or data information is present on PD0-PD7 in the reverse direction. |
| PError (nAckReverse) | I | Used to acknowledge nInit from the peripheral which drives this signal low, allowing the host to drive the PD bus |
| Select | I | Printer On-Line Indication |
| nAutoFd (HostAck) | O | This signal is used for handshaking between the nAck and the host in the reverse direction. A peripheral data byte is requested when it is asserted. This signal is to determine whether a command or data information is present on PD0-PD7 in the forward direction. |
| nFault (nPeriphRequest) | I | For the forward direction (only), the peripheral is allowed (but not required) to assert this signal (low) to request a reverse transfer while entering the ECP mode. The signal provides a mechanism for peer-to-peer communication. It is typically used to generate an interrupt to the host, which has the ultimate control over the transfer direction. |
| nInit (nReverseRequest) | O | The host may drive this signal low to make the PD bus in the reverse direction. The peripheral is permitted to drive the PD bus when nInit is low and nSelectIn high in the ECP mode. |
| NSelectIn (1284 Active) | O | Always inactive (high) in the ECP mode. |

9.7.3.4 Data Port (Base 1+00h, Modes 000 and 001)

Its contents will be cleared by a reset. The contents of the LPC data fields are latched by the Data Register then sent without being inverted to PD0-PD7 in **write** operation whereas the contents of data ports are read and sent to the host in **read** operation.

9.7.3.5 ecpAFifo Port (Address/RLE) (Base 1 +00h, Mode 011)

Any data bytes written to this port are placed in FIFO and tagged as an ECP Address/RLE. The hardware then automatically sends these data to the peripheral. Operation of this port is valid only in the forward direction (dcr(5)=0).

9.7.3.6 Device Status Register (dsr) (Base 1 +01h, Mode All)

Bit 2-0 of this register are not implemented. The states of these bits remain high in **read** operation of the Printer Status Register.

- dsr(7): This bit is the inverted level of the Busy input.
- dsr(6): This bit is the state of the nAck input.
- dsr(5): This bit is the state of the PError input.
- dsr(4): This bit is the state of the Select input.
- dsr(3): This bit is the state of the nFault input.
- dsr(2)-dsr(0): These bits are always 1.

9.7.3.7 Device Control Register (dcr) (Base 1+02h, Mode All)

There is no function provided by bit 7-6 of this register, which are **read only** and set high in **read** operation. Contents of bit 5-0 are initialized to 0 when the RESET pin is active.

dcr(7)-dcr(6): These two bits are always high.

dcr(5): Except in mode 000 and 010, setting this bit low means that the PD bus is in output operation whereas setting it high means that it is in input operation. This bit will be forced to low in mode 000.

dcr(4): Setting this bit high enables the interrupt request from peripheral to the host due to a rising edge of the nAck input.

dcr(3): This bit is inverted and output to SelectIn.

dcr(2): This bit is output to nInIt without inversion.

dcr(1): This bit is inverted and output to nAutoFd.

dcr(0): This bit is inverted and output to nStrobe.

9.7.3.8 Parallel Port Data FIFO (cFifo) (Base 2+00h, Mode 010)

Bytes written or DMA transferred from the host to this FIFO are sent by a hardware handshaking to the peripheral according to the Standard Parallel Port protocol. This operation is only defined for the forward direction.

9.7.3.9 ECP Data FIFO (ecpDFifo) (Base 2+00h, Mode 011)

When the direction bit dcr(5) is 0, bytes written or DMA transferred from the host to this FIFO are sent by hardware handshaking to the peripheral according to the ECP parallel port protocol. When dcr(5) is 1, data bytes from the peripheral to this FIFO are read in an automatic hardware handshaking. The host can receive these bytes by performing **read** operations or DMA transfer from this FIFO.

9.7.3.10 Test FIFO (tFifo) (Base 2+00h, Mode 110)

The host may operate READ/WRITE or DMA transfer to this FIFO in any directions. Data in this FIFO will be displayed on the PD bus without using hardware protocol handshaking. The tFifo will not accept new data after it is full. Operating READ from an empty tFifo causes the last data byte to return.

9.7.3.11 Configuration Register A (cnfgA) (Base 2+00h, Mode 111)

This **read only** register indicates to the system that interrupts are ISA-Pulses compatible. This is an 8-bit implementation by returning a 10h.

9.7.3.12 Configuration Register B (cnfgB) (Base 2+01h, Mode 111)

This register is **read only**.

cnfgB(7): A logic "0" read indicates that the chip does not support hardware RLE compression.

cnfgB(6): Reserved.

cnfgB(5)-cnfgB(3): A value read indicates the interrupt level.

cnfgB(2)-cnfgB(0): A value read indicates that the DMA channel is set to 8-bit DMA.

9.7.3.13 Extended Control Register (ecr) (Base 2+02h, Mode All)

This is an ECP function control register.

ecr(7)-ecr(5): These bits are used for READ/WRITE and mode selection.

Table 9-12. Mode and Description of Extended Control Register (ECR)

| ECR | Mode and Description |
|----------|--|
| 000 | Standard Parallel Port Mode The FIFO is reset and the direction bit dcr(5) is always 0 (forward direction) in this mode. |
| 001 | PS/2 Parallel Port Mode It is similar to the SPP mode, except that the dcr(5) is read/write . When dcr(5) is 1, the PD bus is tri-state. Reading the data port returns the value on the PD bus instead of the value of the data register. |
| 010 | Parallel Port Data FIFO Mode This mode is similar to the 000 mode, except that the host writes or DMA transfers the data bytes to FIFO. The FIFO data are then transmitted to the peripheral using the standard parallel port protocol automatically. This mode is only valid in the forward direction (dcr(5)=0). |
| 011 | ECP Parallel Port Mode In the forward direction, bytes in the ecpDFifo and ecpAFifo are placed in a single FIFO and automatically transmitted to the peripheral under the ECP protocol. In the reverse direction, bytes are transmitted to the ecpDFifo from the ECP port. |
| 100, 101 | Reserved; undefined |
| 110 | Test Mode In this mode, FIFO may be read from or written to, but it cannot be sent to the peripheral. |
| 111 | Configuration Mode In this mode, the cnfgA and cnfgB registers are accessible at 0x400 and 0x401. |

ecr(4): nErrIntrEn, READ/WRITE, Valid in ECP(011) Mode

- 1: Disable the interrupt generated on the asserting edge of the nFault input.
- 0: Enable the interrupt pulse on the asserting edge of the nFault. An interrupt pulse will be generated if nFault is asserted or if this bit is written from 1 to 0 in the low-level nFault.

ecr(3): dmaEn, READ/WRITE

- 1: Enable DMA. DMA is started when serviceIntr (ecr(2)) is 0.
- 0: Disable DMA unconditionally.

ecr(2): ServiceIntr, READ/WRITE

- 1: Disable DMA and all service interrupts.
- 0: Enable the service interrupts. This bit will be set to "1" by hardware when one of the three service interrupts occurs.

Writing "1" to this bit will not generate an interrupt.

Case 1: dmaEn=1

During DMA, this bit will be set to 1 (a service interrupt generated) if the terminal count is reached.

Case 2: dmaEn=0, dcr(5)=0

This bit is set to 1 (a service interrupt generated) whenever there is writeIntrThreshold or more bytes space free in FIFO.

Case 3: dmaEn=0, dcr(5)=1

This bit is set to 1 (a service interrupt generated) whenever there is readIntrThreshold or more valid bytes to be read from FIFO.

ecr(1): full, **read only**

- 1: FIFO is full and cannot accept another byte.
- 0: FIFO has at least one free data byte space.

ecr(0): empty, **read only**

1: FIFO is empty.

0: FIFO contains at least one data byte.

9.7.3.14 Mode Switching Operation

In programmed I/O control (mode 000 or 001), P1284 negotiation and all other tasks that happen before data transmission are software-controlled. Setting the mode to 011 or 010 will cause the hardware to perform an automatic control-line handshaking, transferring information between the FIFO and the ECP port.

For mode 000 and 001, they may be immediately switched. To change the direction, the mode must be set to 001 first.

In the extended forward mode, FIFO must be cleared and all the signals must be de-asserted before returning to mode 000 or 001. In the ECP reverse mode, all data must be read from FIFO before returning to mode 000 or 001. Usually, unneeded data are accumulated during ECP reverse handshaking when the mode is changed during a data transfer. In such a condition, nAutoFd will be de-asserted regardless of the transfer state. To avoid bugs during handshaking signals, these guidelines must be followed.

9.7.3.15 Software Operation (ECP)

Before the ECP operation can be started, it is necessary for the host to switch the mode to 000 first in order to negotiate with the parallel port. During this process, the host determines whether the peripheral supports the ECP protocol.

After this negotiation is completed, the mode is set to 011 (ECP). To enable the drivers, the direction must be set to 0. Both strobe and autoFd are set to 0, causing nStrobe and nAutoFd signals to be de-asserted.

All FIFO data transfer is PWord-wide and PWord aligned. Permitted only in the forward direction, Address/RLE transfers are byte-wide. The ECP Address/RLE bytes may be automatically sent by writing to the ecpAFifo. Similarly, data PWords may be automatically sent via the ecpDFifo.

To change the direction, the host has to switch the mode to 001. It then negotiates either the forward or reverse channel, sets the direction to 1 or 0, and finally switches the mode to 001. If the direction is set to 1, the hardware performs the handshaking for each ECP data byte read, and then tries to fill FIFO. At this time, PWords may be read from the ecpDFifo while retaining data. It is also possible to perform the ECP transfer by handshaking with individual bytes under programmed control in mode 001 or 000 even though this is a comparatively time-consuming approach.

9.7.3.16 Hardware Operation (DMA)

The Standard PC DMA protocol (through LDRQ#) is followed. As in the programmed I/O case, software sets the direction and state. Next, the desired count and memory addresses are programmed into DMA controller. The dmaEn is set to 1, and the serviceIntr is set to 0. To complete the process, the DMA channel with the DMA controller is unmasked. The contents of FIFO are emptied or filled by DMA using the right mode and direction.

DMA is always transferred to or from FIFO located at 0 x 400. By generating an interrupt and asserting a serviceIntr, DMA is disabled when the DMA controller reaches the terminal count. By not asserting LDRQ# for more than 32 consecutive DMA cycles, blocking of refresh requests is eliminated.

When it is necessary to disable a DMA while performing transfer, the host DMA controller is disabled, serviceIntr is then set to 1, and dmaEn is next set to 0. If the contents in FIFO are empty or full, DMA will start again. This is first done by enabling the host DMA controller, and then setting dmaEn to 1. Finally, serviceIntr is set to 0. Upon completion of a DMA transfer in the forward direction, the software program must wait until the contents in FIFO are empty and the busy line is low, ensuring that all data successfully reach the peripheral device.

9.7.3.17 Interrupt

It is necessary to generate an interrupt when any of the following states is reached.

5. $serviceIntr = 0$, $dmaEn = 0$, $direction = 0$, and the number of PWords in the FIFO is greater than or equal to $writeIntrThreshold$.
6. $serviceIntr = 0$, $dmaEn = 0$, $direction = 1$, and the number of PWords in the FIFO is greater than or equal to $readIntrThreshold$.
7. $serviceIntr = 0$, $dmaEn = 1$, and DMA reaches the terminal count.
8. $nErrIntrEn = 0$ and $nFault$ goes from high to low or when $nErrIntrEn$ is set from 1 to 0 and $nFault$ is asserted.
9. $ackIntEn = 1$. In current implementation of using existing parallel ports, the generated interrupt may be either edge or level trigger type.

9.7.3.18 Interrupt-driven Programmed I/O

It is also possible to use an interrupt-driven programmed I/O to execute either ECP or parallel port FIFOs. An interrupt will occur in the forward direction when $serviceIntr$ is 0 and the number of free PWords in the FIFO is equal to or greater than $writeIntrThreshold$. If either of these conditions is not met, it may be filled with $writeIntrThreshold$ PWords. An interrupt will occur in the reverse direction when $serviceIntr$ is 0 and the number of available PWords in the FIFO is equal to $readIntrThreshold$. If it is full, the FIFO can be completely emptied in a single burst. If it is not full, only a number of PWords equal to $readIntrThreshold$ may be read from the FIFO in a single burst. In the Test mode, software can determine the values of $writeIntrThreshold$, $readIntrThreshold$, and FIFO depth while accessing the FIFO.

For any PC LPC bus implementation adjusted to expedite DMA or I/O transfer, it is necessary to ensure that the bandwidth on ISA is maintained on the interface. Although the LPC (even PCI) bus of PC cannot be directly controlled, the interface bandwidth of ECP port can be constrained to perform at the optimum speed.

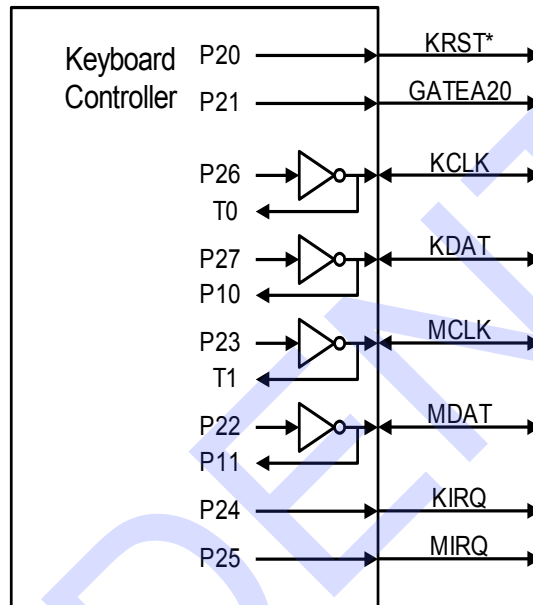
9.7.3.19 Standard Parallel Port

In the forward direction with DMA, the standard parallel port is run at or close to the permitted peak bandwidth of 500 KB/sec. The state machine does not examine $nAck$, but just begins the next DMA based on the Busy signal.

9.8 Keyboard Controller (KBC)

The keyboard controller is implemented using an 8-bit microcontroller that is capable of executing the 8042 instruction set. For general information, please refer to the description of the 8042 in the 8-bit controller handbook. In addition, the microcontroller can enter the power-down mode by executing two types of power-down instructions.

Figure 9-13. Keyboard and Mouse Interface



9.8.1 Host Interface

The keyboard controller interfaces with the system through the 8042 style host interface. The following table shows how the interface decodes the control signals.

Table 9-13. Data Register READ/WRITE Controls

| Host Address ^{Note} | R/W* | Function |
|------------------------------|------|-------------------------|
| 60h | R | READ DATA |
| 60h | W | WRITE DATA, (Clear F1) |
| 64h | R | READ Status |
| 64h | W | WRITE Command, (Set F1) |

Note: These are the default values of LDN5, 60h and 61h (DATA); LDN5, 62h and 63h (Command). All these registers are programmable.

READ DATA: This is an 8-bit **read only** register. When read, the KIRQ output is cleared and OBF flag in the status register is cleared.

WRITE DATA: This is an 8-bit **write only** register. When written, the F1 flag of the Status register is cleared and the IBF bit is set.

READ Status: This is an 8-bit **read only** register. Refer to the description of the Status register for more information.

WRITE Command: This is an 8-bit **write only** register. When written, both F1 and IBF flags of the Status register are set.

9.8.2 Data Registers and Status Register

The keyboard controller provides two data registers, one is DBIN for data input, and the other is DBOUT for data output. Both are 8-bit wide. A write (microcontroller) to the DBOUT will load Keyboard Data Read Buffer, set OBF flag and set the KIRQ output. A read (microcontroller) of DBIN will read the data from the Keyboard Data or Command Write Buffer and clear the IBF flag.

The status register holds information concerning the status of the data registers, the internal flags, and some user-defined status bits. Please refer to Table 9-14. Status Register below. The bit 0 OBF is set to "1" when the microcontroller writes data into DBOUT, and is cleared when the system initiates DATA READ operation. The bit 1 IBF is set to "1" when the system initiates WRITE operation, and is cleared when the microcontroller executes an "IN A, DBB" instruction. The F0 and F1 flags can be set or reset when the microcontroller executes clear and complement flag instructions. F1 also holds the system WRITE information when the system performs WRITE operation.

Table 9-14. Status Register

| | | | | | | | |
|-----|-----|-----|-----|----|----|-----|-----|
| 7 | 6 | 5 | 4 | 3 | 2 | 1 | 0 |
| ST7 | ST6 | ST5 | ST4 | F1 | F0 | IBF | OBF |

9.8.3 Keyboard and Mouse Interface

KCLK is a keyboard clock pin. Its output is the inversion of pin P26 of the microcontroller, and the input of KCLK is connected to the T0 pin of the microcontroller. KDAT is the keyboard data pin; its output is the inversion of pin P27 of the microcontroller, and the input of KDAT is connected to the P10 of the microcontroller. MCLK is the mouse clock pin. Its output is the inversion of pin P23 of the microcontroller, and the input of MCLK is connected to the T1 pin of the microcontroller. MDAT is the Mouse data pin. Its output is the inversion of pin P22 of the microcontroller, and the input of MDAT is connected to the P11 of the microcontroller. KRST# is pin P20 of the microcontroller. GATEA20 is the pin P21 of the microcontroller. These two pins are used as software-controlled or user defined outputs. External pull-ups may be required for these pins.

9.8.4 KIRQ and MIRQ

KIRQ is the interrupt request for the keyboard (Default IRQ1), and MIRQ is the interrupt request for the mouse (Default IRQ12). KIRQ is internally connected to P24 pin of the microcontroller, and MIRQ is internally connected to pin P25 of the microcontroller.

9.9 Consumer Remote Control (TV Remote) IR (CIR)

9.9.1 Overview

CIR is used in the consumer remote control equipment, and is a programmable amplitude shift keyed (ASK) serial communication protocol. By adjusting frequencies, baud rate divisors and sensitivity ranges, the CIR registers are able to support the popular protocols such as RC-5, NEC, and RECS-80. Software driver programming can support new protocols.

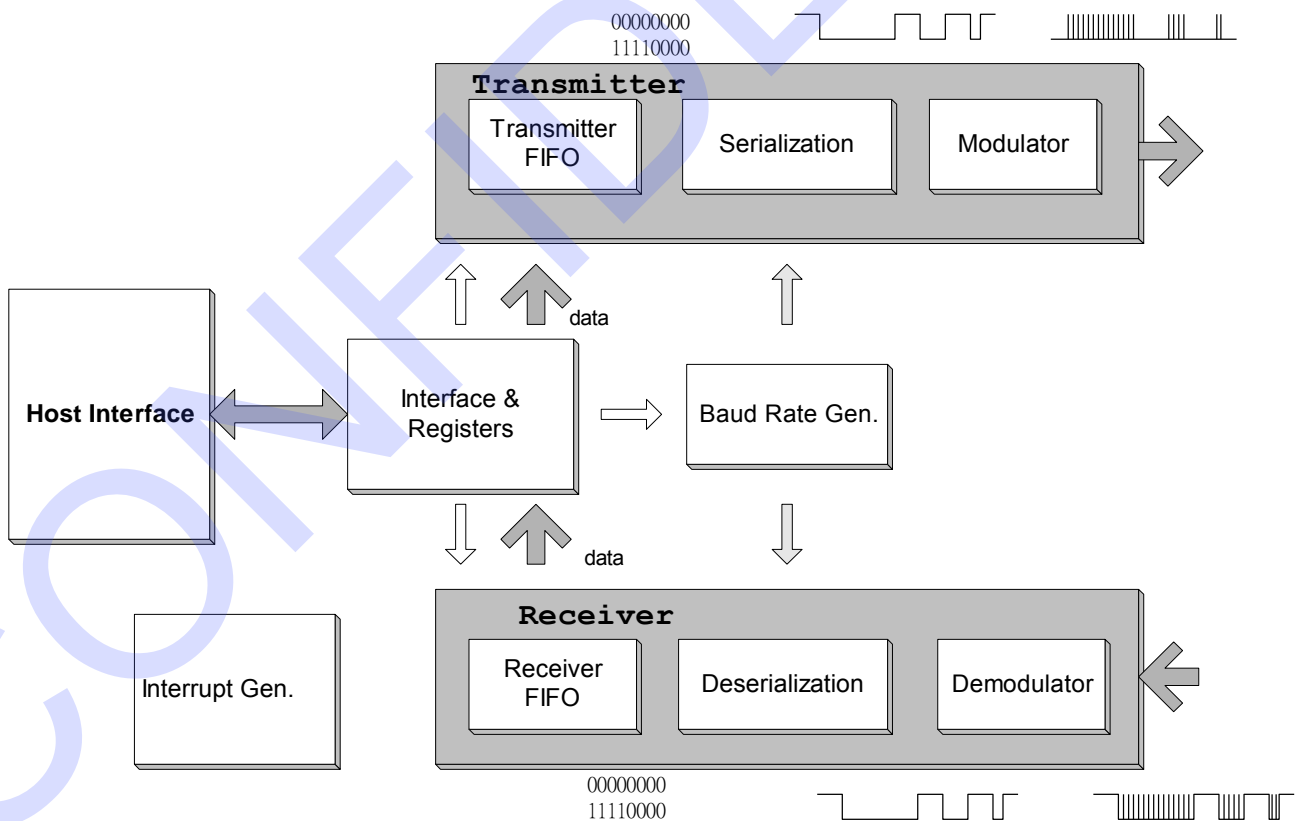
9.9.2 Features

- Supports 30 kHz - 57 kHz (low frequency) or 400 kHz - 500 kHz (high frequency) carrier transmission
- Baud rate up to 115200 BPS (high frequency)
- Demodulation optional
- Supports transmission run-length encoding and deferral function
- 32-byte FIFO for data transmission or data reception

9.9.3 Block Diagram

CIR consists of two parts, transmitter and receiver. Regarding the transmitter part, it is responsible for transmitting data to FIFO, processing FIFO data by serialization and modulation and sending out data through the LED device. As for the receiver part, it is responsible for receiving data, processing data by demodulation and deserialization and storing data in the Receiver FIFO.

Figure 9-14. CIR Block Diagram



9.9.4 Transmit Operation

The data written to the Transmitter FIFO will be exactly serialized from LSB to MSB, modulated with the carrier frequency and sent to the CIRTX output. The data are either in bit-string format or run-length decode.

Before the data transmission can be started, code byte write operation must be performed to the Transmitter FIFO DR. Bit TXRLE of TCR1 needs to be set to “1” before the data in run-length decode can be written into the Transmitter FIFO. Setting TXENDF of TCR1 will enable the data transmission deferral, and avoid the Transmitter FIFO underrun. The bit width of the serialized bit string is determined by the value programmed in the baud rate divisor registers, BDLR and BDHR. When the two bits, HCFS and CFQ[4:0], are set, either the high-speed or low-speed carrier range is selected, and the corresponding carrier frequency will also be determined. Bit TXMPM[1:0] and TXMPW[2:0] specify the pulse number in a bit width and the required duty cycles of the carrier pulse according to the communication protocol. Only a logic “0” can activate the Transmitter LED in the format of a series of modulating pulses.

9.9.5 Receive Operation

The Receiver function will be enabled if bit RXEN of RCR is set to “1”. Either demodulated or modulated RX# signal is loaded into Receiver FIFO, and bit RXEND of RCR determines whether the demodulation logic should be used or not. It determines the baud rate by programming the baud rate divisor registers BDLR and BDHR, and the carrier frequency by programming bit HCFS and CFQ[4:0]. Set RDWOS to “0” to synchronize. Bit RXACT of RCR is set to “1” when the serial data or the selected carrier is incoming, and the sampled data will then be kept in Receiver FIFO. Write “1” to bit RXACT to stop the Receiver operation whereas “0” to bit RXEN to disable it.

9.9.6 Register Description and Address

Table 9-15. CIR Register

| Register Name | R/W | Address | Default |
|---|-----|-----------|---------|
| CIR Data Register (DR) | R/W | Base + 0h | FFh |
| CIR Interrupt Enable Register (IER) | R/W | Base + 1h | 00h |
| CIR Receiver Control Register (RCR) | R/W | Base + 2h | 01h |
| CIR Transmitter Control Register 1 (TCR1) | R/W | Base + 3h | 00h |
| CIR Transmitter Control Register 2 (TCR2) | R/W | Base + 4h | 5Ch |
| CIR Transmitter Status Register (TSR) | R | Base + 5h | 00h |
| CIR Receiver Status Register (RSR) | R | Base + 6h | 00h |
| CIR Baud Rate Divisor Low Byte Register (BDLR) | R/W | Base + 5h | 00h |
| CIR Baud Rate Divisor High Byte Register (BDHR) | R/W | Base + 6h | 00h |
| CIR Interrupt Identification Register (IIR) | R/W | Base + 7h | 01h |

9.9.6.1 CIR Data Register (DR)

The DR, an 8-bit **read/write** register, is the data port for CIR. Data are transmitted and received through it.

Address: Base Address + 0h

| Bit | R/W | Default | Description |
|-----|-----|---------|--|
| 7-0 | R/W | FFh | CIR Data Register (DR[7:0]) Writing data to this register causes data to be written to Transmitter FIFO. Reading data from this register causes data to be received from Receiver FIFO. |

9.9.6.2 CIR Interrupt Enable Register (IER)

The IER, an 8-bit **read/write** register, is to enable the CIR interrupt request.

Address: Base Address + 1h

| Bit | R/W | Default | Description |
|-----|-----|---------|--|
| 7 | R/W | 0b | Transmitter Data Output Select (TX_sel) This bit is to select transmitter data output. 0: DTR3# (Default) 1: CIRT_X |
| 6 | R/W | 0b | Reserved |
| 5 | R/W | 0b | Reset The function of this bit is software reset. Writing "1" to this bit resets register DR, IER, TCR1, BDLR, BDHR and IIR and then it will be self-cleared to the initial value. |
| 4 | R/W | 0b | Baud Rate Register Enable (BR) This bit is to control whether the baud rate register can enable read/write function or not. 1: Enable 0: Disable |
| 3 | R/W | 0b | Interrupt Enable Control (IEC) This bit is to control whether the interrupt function can be enabled or not. 1: Enable 0: Disable |
| 2 | R/W | 0b | Receiver FIFO Overrun Interrupt Enable (RFOIE) This bit is to control Receiver FIFO Overrun Interrupt request. 1: Enable 0: Disable |
| 1 | R/W | 0b | Receiver Data Available Interrupt Enable (RDAIE) This bit is to enable Receiver Data Available Interrupt request. The Receiver will generate this interrupt when the data available in FIFO exceed the FIFO threshold level. 1: Enable 0: Disable |
| 0 | R/W | 0b | Transmitter Low Data Level Interrupt Enable (TLDLIE) This bit is to enable Transmitter Low Data Level Interrupt request. The Transmitter will generate this interrupt when the data available in FIFO are less than the FIFO threshold Level. 1: Enable 0: Disable |

9.9.6.3 CIR Receiver Control Register (RCR)

The RCR, an 8-bit **read/write** register, is to control the CIR Receiver.

Address: Base Address + 2h

| Bit | R/W | Default | Description |
|-----|-----|---------|--|
| 7 | R/W | 0b | Receiver Data without Sync. (RDWOS) This bit is to control the sync. logic for received data. Set this bit to "1" to obtain the received data without sync. logic. Set this bit to "0" to obtain the received data with sync. logic. |
| 6 | R/W | 0b | High-Speed Carrier Frequency Select (HCFS) This bit is to select the carrier frequency between the high-speed and low-speed. 0: 30-58 kHz (Default) 1: 400-500 kHz |
| 5 | R/W | 0b | Receiver Enable (RXEN) This bit is to enable the Receiver function. Receiver Enable and RXACT will be activated if the selected carrier frequency is received. 1: Enable 0: Disable |
| 4 | R/W | 0b | Receiver Demodulation Enable (RXEND) This bit is to control the Receiver Demodulation logic. If the Receiver device can not demodulate the correct carrier, set this bit to "1" to enable it. 1: Enable 0: Disable |
| 3 | R/W | 0b | Receiver Active (RXACT) This bit is to control the Receiver operation. This bit is set to "0" when the Receiver is inactive. This bit will be set to "1" when the Receiver detects a pulse (RXEND=0) or pulse-train (RXEND=1) with the correct carrier frequency. The Receiver then starts to sample the input data when Receiver Active is set. Write a "1" to this bit to clear the Receiver Active condition and make the Receiver enter the inactive mode. |
| 2-0 | R/W | 001b | Receiver Demodulation Carrier Range (RXDCR[2:0]) These three bits are to set the tolerance of the Receiver. For the detailed demodulation carrier frequency, please refer to Table 9-17. Receiver Demodulation Low Frequency (HCFS = 0) and Table 9-18. Receiver Demodulation High Frequency (HCFS = 1) on page 151 and 152. |

9.9.6.4 CIR Transmitter Control Register 1 (TCR1)

The TCR1, an 8-bit read/write register, is used to control the Transmitter.

Address: Base Address + 3h

| Bit | R/W | Default | Description | | | | | | | | | | | | | | | |
|-----|--------------|--------------|---|--|--------------|--------------|----|---|-------------|----|---|---|----|---|----|----|----|----|
| 7 | R/W | 0b | FIFO Clear (FIFOCLR) Writing a “1” to this bit clears FIFO. This bit is then self-cleared to “0”. | | | | | | | | | | | | | | | |
| 6 | R/W | 0b | Internal Loopback Enable (ILE) This bit is to execute internal loopback for test and must be “0” in normal operation. 1: Enable 0: Disable | | | | | | | | | | | | | | | |
| 5-4 | R/W | 0b | FIFO Threshold Level (FIFOTL) These two bits are used to set the FIFO threshold level. The FIFO length is 32 bytes for TX or RX function (ILE = 0) in normal operation and 16 bytes for both TX and RX in the internal loopback mode (ILE = 1). <table border="1" style="margin-left: auto; margin-right: auto;"> <thead> <tr> <th></th> <th>16-Byte Mode</th> <th>32-Byte Mode</th> </tr> </thead> <tbody> <tr> <td>00</td> <td>1</td> <td>1 (Default)</td> </tr> <tr> <td>01</td> <td>3</td> <td>7</td> </tr> <tr> <td>10</td> <td>7</td> <td>17</td> </tr> <tr> <td>11</td> <td>13</td> <td>25</td> </tr> </tbody> </table> | | 16-Byte Mode | 32-Byte Mode | 00 | 1 | 1 (Default) | 01 | 3 | 7 | 10 | 7 | 17 | 11 | 13 | 25 |
| | 16-Byte Mode | 32-Byte Mode | | | | | | | | | | | | | | | | |
| 00 | 1 | 1 (Default) | | | | | | | | | | | | | | | | |
| 01 | 3 | 7 | | | | | | | | | | | | | | | | |
| 10 | 7 | 17 | | | | | | | | | | | | | | | | |
| 11 | 13 | 25 | | | | | | | | | | | | | | | | |
| 3 | R/W | 0b | Transmitter Run Length Enable (TXRLE) This bit controls the Transmitter Run Length encoding/decoding mode, which condenses a series of “1” or “0” into one byte with the bit value stored in bit 7 and number of bits minus 1 in bit 6-0. 1: Enable 0: Disable | | | | | | | | | | | | | | | |
| 2 | R/W | 0b | Transmitter Deferral (TXENDF) This bit is to avoid Transmitter underrun condition. When this bit is set to “1”, the Transmitter FIFO data will be kept until the transmitter time-out condition occurs, or FIFO reaches full. | | | | | | | | | | | | | | | |
| 1-0 | R/W | 0b | Transmitter Modulation Pulse Mode (TXMPM[1:0]) These two bits are to define the Transmitter modulation pulse mode. TXMPM[1:0] Modulation Pulse Mode C_pls mode (Default): Pulses are generated continuously for the entire logic 0 bit period. 8_pls mode: 8 pulses are generated for each logic 0 bit. 6_pls mode: 6 pulses are generated for each logic 0 bit. 11: Reserved. | | | | | | | | | | | | | | | |

9.9.6.5 CIR Transmitter Control Register (TCR2)

The TCR2, an 8-bit read/write register, is to determine the carrier frequency.

Address: Base Address + 4h

| Bit | R/W | Default | Description | | | | | | | | | | | | | | | | | | | | | | | | | | | |
|------------|------------------------------|--|---|------------|----------|----------|-----|----------|----------|-----|----------|----------|-----|-----------|-------------|-----|-----------|-------------|------------|------------------------------|--|-----|--------------|-------------|-----|--------------|--------------|-----|----------|----------|
| 7-3 | R/W | 01011b | Carrier Frequency (CFQ[4:0]) These five bits are to determine the modulation carrier frequency. Please refer to the following table. | | | | | | | | | | | | | | | | | | | | | | | | | | | |
| 2-0 | R/W | 100b | Transmitter Modulation Pulse Width (TXMPW[2:0]) These three bits are to set the Transmitter Modulation pulse width. The duty cycle of the carrier will be determined according to the setting of the carrier frequency and the selection of Transmitter Modulation pulse width. <table border="1" style="margin-left: 20px;"> <thead> <tr> <th>TXMPW[2:0]</th> <th>HCFS = 0</th> <th>HCFS = 1</th> </tr> </thead> <tbody> <tr> <td>000</td> <td>Reserved</td> <td>Reserved</td> </tr> <tr> <td>001</td> <td>Reserved</td> <td>Reserved</td> </tr> <tr> <td>010</td> <td>6 μs</td> <td>0.7 μs</td> </tr> <tr> <td>011</td> <td>7 μs</td> <td>0.8 μs</td> </tr> <tr> <td>100</td> <td>8.7 μs</td> <td>0.9 μs (Default)</td> </tr> <tr> <td>101</td> <td>10.6 μs</td> <td>1.0 μs</td> </tr> <tr> <td>110</td> <td>13.3 μs</td> <td>1.16 μs</td> </tr> <tr> <td>111</td> <td>Reserved</td> <td>Reserved</td> </tr> </tbody> </table> | TXMPW[2:0] | HCFS = 0 | HCFS = 1 | 000 | Reserved | Reserved | 001 | Reserved | Reserved | 010 | 6 μ s | 0.7 μ s | 011 | 7 μ s | 0.8 μ s | 100 | 8.7 μs | 0.9 μs (Default) | 101 | 10.6 μ s | 1.0 μ s | 110 | 13.3 μ s | 1.16 μ s | 111 | Reserved | Reserved |
| TXMPW[2:0] | HCFS = 0 | HCFS = 1 | | | | | | | | | | | | | | | | | | | | | | | | | | | | |
| 000 | Reserved | Reserved | | | | | | | | | | | | | | | | | | | | | | | | | | | | |
| 001 | Reserved | Reserved | | | | | | | | | | | | | | | | | | | | | | | | | | | | |
| 010 | 6 μ s | 0.7 μ s | | | | | | | | | | | | | | | | | | | | | | | | | | | | |
| 011 | 7 μ s | 0.8 μ s | | | | | | | | | | | | | | | | | | | | | | | | | | | | |
| 100 | 8.7 μs | 0.9 μs (Default) | | | | | | | | | | | | | | | | | | | | | | | | | | | | |
| 101 | 10.6 μ s | 1.0 μ s | | | | | | | | | | | | | | | | | | | | | | | | | | | | |
| 110 | 13.3 μ s | 1.16 μ s | | | | | | | | | | | | | | | | | | | | | | | | | | | | |
| 111 | Reserved | Reserved | | | | | | | | | | | | | | | | | | | | | | | | | | | | |

Table 9-16. Modulation Carrier Frequency

| CFQ | Low Frequency (HCFS =0) | High Frequency (HCFS = 1) |
|--------------|----------------------------|------------------------------|
| 00000 | 27 kHz | - |
| 00010 | 29 kHz | - |
| 00011 | 30 kHz | 400 kHz |
| 00100 | 31 kHz | - |
| 00101 | 32 kHz | - |
| 00110 | 33 kHz | - |
| 00111 | 34 kHz | - |
| 01000 | 35 kHz | 450 kHz |
| 01001 | 36 kHz | - |
| 01010 | 37 kHz | - |
| 01011 | 38 kHz (default) | 480 kHz (default) |
| 01100 | 39 kHz | - |
| 01101 | 40 kHz | 500 kHz |
| 01110 | 41 kHz | - |
| 01111 | 42 kHz | - |
| 10000 | 43 kHz | - |
| 10001 | 44 kHz | - |
| 10010 | 45 kHz | - |
| 10011 | 46 kHz | - |
| 10100 | 47 kHz | - |
| 10101 | 48 kHz | - |
| 10110 | 49 kHz | - |
| 10111 | 50 kHz | - |
| 11000 | 51 kHz | - |
| 11001 | 52 kHz | - |
| 11010 | 53 kHz | - |
| 11011 | 54 kHz | - |
| 11100 | 55 kHz | - |
| 11101 | 56 kHz | - |
| 11110 | 57 kHz | - |
| 11111 | 58 kHz | - |

Table 9-17. Receiver Demodulation Low Frequency (HCFS = 0)

| RXDCR | 001 | | 010 | | 011 | | 100 | | 101 | | 110 | | (Hz) |
|--------------|--------------|--------------|--------------|--------------|--------------|--------------|-------------|-------------|--------------|--------------|--------------|--------------|------------|
| | Min. | Max. | Min. | Max. | Min. | Max. | Min. | Max. | Min. | Max. | Min. | Max. | |
| 00001 | 26.25 | 29.75 | 24.5 | 31.5 | 22.75 | 33.25 | 21 | 35 | 19.25 | 36.75 | 17.5 | 38.5 | 28k |
| 00010 | 27.19 | 30.81 | 25.38 | 32.63 | 23.56 | 34.44 | 21.75 | 36.25 | 19.94 | 38.06 | 18.13 | 39.88 | 29k |
| 00011 | 28.13 | 31.88 | 26.25 | 33.75 | 24.38 | 35.63 | 22.5 | 37.5 | 20.63 | 39.38 | 18.75 | 41.25 | 30k |
| 00100 | 29.06 | 32.94 | 27.13 | 34.88 | 25.19 | 36.81 | 23.25 | 38.75 | 21.31 | 40.69 | 19.38 | 42.63 | 31k |
| 00101 | 30 | 34 | 28 | 36 | 26 | 38 | 24 | 40 | 22 | 42 | 20 | 44 | 32k |
| 00110 | 30.94 | 35.06 | 28.88 | 37.13 | 26.81 | 39.19 | 24.75 | 41.25 | 22.69 | 43.31 | 20.63 | 45.38 | 33k |
| 00111 | 31.88 | 36.13 | 29.75 | 38.25 | 27.63 | 40.38 | 25.5 | 42.5 | 23.38 | 44.63 | 21.25 | 46.75 | 34k |
| 01000 | 32.81 | 37.19 | 30.63 | 39.38 | 28.44 | 41.56 | 26.25 | 43.75 | 24.06 | 45.94 | 21.88 | 48.13 | 35k |
| 01001 | 33.75 | 38.25 | 31.5 | 40.5 | 29.25 | 42.75 | 27 | 45 | 24.75 | 47.25 | 22.5 | 49.5 | 36k |
| 01010 | 34.69 | 39.31 | 32.38 | 41.63 | 30.06 | 43.94 | 27.75 | 46.25 | 25.44 | 48.56 | 23.13 | 50.88 | 37k |
| 01011 | 35.63 | 40.38 | 33.25 | 42.75 | 30.88 | 45.13 | 28.5 | 47.5 | 26.13 | 49.88 | 23.75 | 52.25 | 38k |
| 01100 | 36.56 | 41.44 | 34.13 | 43.88 | 31.69 | 46.31 | 29.25 | 48.75 | 26.81 | 51.19 | 24.38 | 53.63 | 39k |
| 01101 | 37.5 | 42.5 | 35 | 45 | 32.5 | 47.5 | 30 | 50 | 27.5 | 52.5 | 25 | 55 | 40k |
| 01110 | 38.44 | 43.56 | 35.88 | 46.13 | 33.31 | 48.69 | 30.75 | 51.25 | 28.19 | 53.81 | 25.63 | 56.38 | 41k |
| 01111 | 39.38 | 44.63 | 36.75 | 47.25 | 34.13 | 49.88 | 31.5 | 52.5 | 28.88 | 55.13 | 26.25 | 57.75 | 42k |
| 10000 | 40.31 | 45.69 | 37.63 | 48.38 | 34.94 | 51.06 | 32.25 | 53.75 | 29.56 | 56.44 | 26.88 | 59.13 | 43k |
| 10001 | 41.25 | 46.75 | 38.5 | 49.5 | 35.75 | 52.25 | 33 | 55 | 30.2.1 5 | 57.75 | 27.5 | 60.5 | 44k |
| 10010 | 42.19 | 47.81 | 39.38 | 50.63 | 36.56 | 53.44 | 33.75 | 56.25 | 30.94 | 59.06 | 28.13 | 61.88 | 45k |
| 10011 | 43.13 | 48.88 | 40.2.1 5 | 51.75 | 37.38 | 54.63 | 34.5 | 57.5 | 31.63 | 60.38 | 28.75 | 63.25 | 46k |
| 10100 | 44.06 | 49.94 | 41.13 | 52.88 | 38.19 | 55.81 | 35.25 | 58.75 | 32.31 | 61.69 | 29.38 | 64.63 | 47k |
| 10101 | 45 | 51 | 42 | 54 | 39 | 57 | 36 | 60 | 33 | 63 | 30 | 66 | 48k |
| 10110 | 45.94 | 52.06 | 42.88 | 55.13 | 39.81 | 58.19 | 36.75 | 61.25 | 33.69 | 64.31 | 30.63 | 67.38 | 49k |
| 10111 | 46.88 | 53.13 | 43.75 | 56.25 | 40.63 | 59.38 | 37.5 | 62.5 | 34.38 | 65.63 | 31.25 | 68.75 | 50k |
| 11000 | 47.81 | 54.19 | 44.63 | 57.38 | 41.44 | 60.56 | 38.25 | 63.75 | 35.06 | 66.94 | 31.88 | 70.13 | 51k |
| 11001 | 49.18 | 54.55 | 46.88 | 57.69 | 44.78 | 61.22 | 42.86 | 65.22 | 41.1 | 69.77 | 39.47 | 75 | 52k |
| 11010 | 49.69 | 56.31 | 46.38 | 59.63 | 43.06 | 62.94 | 39.75 | 66.25 | 36.44 | 69.56 | 33.13 | 72.88 | 53k |
| 11011 | 50.63 | 57.38 | 47.25 | 60.75 | 43.88 | 64.13 | 40.5 | 67.5 | 37.13 | 70.88 | 33.75 | 74.25 | 54k |
| 11100 | 51.56 | 58.44 | 48.13 | 61.88 | 44.69 | 65.31 | 41.25 | 68.75 | 37.81 | 72.19 | 34.38 | 75.63 | 55k |
| 11101 | 52.5 | 59.5 | 49 | 63 | 45.5 | 66.5 | 42 | 70 | 38.5 | 73.5 | 35 | 77 | 56k |
| 11110 | 53.44 | 60.56 | 49.88 | 64.13 | 46.31 | 67.69 | 42.75 | 71.25 | 39.19 | 74.81 | 35.63 | 78.38 | 57k |

Table 9-18. Receiver Demodulation High Frequency (HCFS = 1)

| RXDCR | 001 | | 010 | | 011 | | 100 | | 101 | | 110 | | |
|-------|-------|-------|-------|-------|-------|-------|-------|-------|-------|-------|-------|-------|------|
| CFQ | Min. | Max. | Min. | Max. | Min. | Max. | Min. | Max. | Min. | Max. | Min. | Max. | (Hz) |
| 00011 | 375 | 425 | 350 | 450 | 325 | 475 | 300 | 500 | 275 | 525 | 250 | 550 | 400k |
| 01000 | 421.9 | 478.1 | 393.8 | 506.3 | 365.6 | 534.4 | 337.5 | 562.5 | 309.4 | 590.6 | 281.3 | 618.8 | 450k |
| 01011 | 450 | 510 | 420 | 540 | 390 | 570 | 360 | 600 | 330 | 630 | 300 | 660 | 480k |
| 01011 | 468.8 | 531.3 | 437.5 | 562.5 | 406.3 | 593.8 | 375 | 625 | 343.8 | 656.3 | 312.5 | 687.5 | 500k |

9.9.6.6 CIR Transmitter Status Register (TSR)

The TSR, an 8-bit **read only** register, provides the Transmitter FIFO status.

Address: Base Address + 5h

| Bit | R/W | Default | Description |
|-----|-----|---------|---|
| 7-6 | R | - | Reserved |
| 5-0 | R | 000000b | Transmitter FIFO Byte Count (TXFBC[5:0]) Return the number of bytes left in the Transmitter FIFO. |

9.9.6.7 CIR Receiver FIFO Status Register (RSR)

The RSR, an 8-bit **read only** register, provides the Receiver FIFO status.

Address: Base Address + 6h

| Bit | R/W | Default | Description |
|-----|-----|---------|--|
| 7 | R | 0b | Receiver FIFO Time-out (RXFTO) This bit will be set to "1" when a Receiver FIFO time-out condition occurs. Followings are the conditions required for the occurrence of Receiver FIFO time-out: 1. At least one byte of data are queued in the Receiver FIFO for more than 64 ms. 2. The Receiver has been inactive (RXACT=0) for more than 64 ms. |
| 6 | - | - | Reserved |
| 5-0 | R | 000000b | Receiver FIFO Byte Count (RXFBC) Return the number of bytes left in Receiver FIFO. |

9.9.6.8 CIR Baud Rate Divisor Low Byte Register (BDLR)

The BDLR, an 8-bit **read/write** register, is to program the CIR Baud Rate clock.

Address: Base Address + 5h (when BR = 1)

| Bit | R/W | Default | Description |
|-----|-----|---------|--|
| 7-0 | R/W | 00h | Baud Rate Divisor Low Byte (BDLR[7:0]) These bits, for dividing the Baud Rate clock, are the low byte of the register. |

9.9.6.9 CIR Baud Rate Divisor High Byte Register (BDHR)

The BDHR, an 8-bit read/write register, is used to program the CIR Baud Rate clock.

Address: Base Address + 6h (when BR = 1)

| Bit | R/W | Default | Description |
|-----|-----|---------|--|
| 7-0 | R/W | 00h | Baud Rate Divisor High Byte (BDHR[7:0]) These bits, for dividing the Baud Rate clock, are the high byte of the register. |

Baud rate divisor = 115200 / baud rate

Ex1: 2400 bps → 115200 / 2400 = 48 → 48(d) = 0030(h) → BDHR = 00h, BDLR = 30h

Ex2: bit width = 0.565 ms (1770 bps (115200 / 1770 = 65(d) = 0041(h) (BDHR = 00(h), BDLR = 41(h)

9.9.6.10 CIR Interrupt Identification Register (IIR)

The IIR, an 8-bit register, is to identify the pending interrupt.

Address: Base address + 7h

| Bit | R/W | Default | Description |
|-----|-----|---------|--|
| 7-3 | - | - | Reserved |
| 2-1 | R | 00b | Interrupt Identification These two bits are to identify the source of the pending interrupt. IIR[1:0] Interrupt Source 00 No interrupt 01 Transmitter Low Data Level Interrupt 10 Receiver Data Stored Interrupt 11 Receiver FIFO Overrun Interrupt |
| 0 | R | 1b | Interrupt Pending This bit will be set to "1" while an interrupt is pending. |

This page is intentionally left blank.

10. DC Electrical Characteristics

Operating Condition

| | |
|-----------------------------------|-----------------|
| 3VSB/SYS_3VSB/AVCC3..... | 3.3V ± 0.15V |
| VBAT..... | 2.3V to 3.6V |
| Operation Temperature (Topt)..... | -40°C to +100°C |

Absolute Maximum Ratings*

| | |
|-----------------------------------|----------------------|
| Applied Voltage..... | -0.3V to 3.6V |
| Input Voltage (Vi)..... | -0.3V to VCC3 + 0.3V |
| Output Voltage (Vo)..... | -0.3V to VCC3 + 0.3V |
| Operation Temperature (Topt)..... | -40°C to +100°C |
| Storage Temperature..... | -55°C to +125°C |

*Comments

Stresses above those listed under "Absolute Maximum Ratings" may cause permanent damage to this device. These are stress ratings only. Functional operation of this device at these or any other conditions above those indicated in the operational sections of this specification is not implied or intended. Exposure to the absolute maximum rating conditions for extended periods may affect device reliability.

DC Electrical Characteristics(VCC3=3.3V±5%, Ta=-40°C~100°C)

| Symbol | Parameter | Condition | Min. | Typ. | Max. | Unit |
|--------------------------|---------------------|-------------------------|------|------|------|------|
| DO8 Buffer | | | | | | |
| V _{OL} | Low Output Voltage | I _{OL} = 8 mA | | | 0.4 | V |
| V _{OH} | High Output Voltage | I _{OH} = -8 mA | 2.4 | | | V |
| DOD8 Buffer | | | | | | |
| V _{OL} | Low Output Voltage | I _{OL} = 8 mA | | | 0.4 | V |
| DIO8 Type Buffer | | | | | | |
| V _{OL} | Low Output Voltage | I _{OL} = 8 mA | | | 0.4 | V |
| V _{OH} | High Output Voltage | I _{OH} = -8 mA | 2.4 | | | V |
| V _{IL} | Low Input Voltage | | | | 0.8 | V |
| V _{IH} | High Input Voltage | | 2.2 | | | V |
| I _{IL} | Low Input Leakage | V _{IN} = 0 | | | 10 | μA |
| I _{IH} | High Input Leakage | V _{IN} = VCC3 | | | -10 | μA |
| I _{OZ} | 3-state Leakage | | | | 20 | μA |
| DIOD8 Type Buffer | | | | | | |
| V _{OL} | Low Output Voltage | I _{OL} = 8 mA | | | 0.4 | V |
| V _{IL} | Low Input Voltage | | | | 0.8 | V |
| V _{IH} | High Input Voltage | | 2.2 | | | V |
| I _{IL} | Low Input Leakage | V _{IN} = 0 | | | 10 | μA |
| I _{IH} | High Input Leakage | V _{IN} = VCC3 | | | -10 | μA |
| I _{OZ} | 3-state Leakage | | | | 20 | μA |

DC Electrical Characteristics

| Symbol | Parameter | Condition | Min. | Typ. | Max. | Unit |
|---------------------------|---------------------------|--------------------------|------|------|------|------|
| DIO16 Type Buffer | | | | | | |
| V _{OL} | Low Output Voltage | I _{OL} = 16 mA | | | 0.4 | V |
| V _{OH} | High Output Voltage | I _{OH} = -16 mA | 2.4 | | | V |
| V _{IL} | Low Input Voltage | | | | 0.8 | V |
| V _{IH} | High Input Voltage | | 2.2 | | | V |
| I _{IL} | Low Input Leakage | V _{IN} = 0 | | | 10 | μA |
| I _{IH} | High Input Leakage | V _{IN} = VCC3 | | | -10 | μA |
| I _{OZ} | 3-state Leakage | | | | 20 | μA |
| DIOD16 Type Buffer | | | | | | |
| V _{OL} | Low Output Voltage | I _{OL} = 16 mA | | | 0.4 | V |
| V _{IL} | Low Input Voltage | | | | 0.8 | V |
| V _{IH} | High Input Voltage | | 2.2 | | | V |
| I _{IL} | Low Input Leakage | V _{IN} = 0 | | | 10 | μA |
| I _{IH} | High Input Leakage | V _{IN} = VCC3 | | | -10 | μA |
| I _{OZ} | 3-state Leakage | | | | 20 | μA |
| DO24L Buffer | | | | | | |
| V _{OL} | Low Output Voltage | I _{OL} = 24 mA | | | 0.4 | V |
| V _{OH} | High Output Voltage | I _{OH} = -8 mA | 2.4 | | | V |
| DIO24 Type Buffer | | | | | | |
| V _{OL} | Low Output Voltage | I _{OL} = 24 mA | | | 0.4 | V |
| V _{OH} | High Output Voltage | I _{OH} = -16 mA | 2.4 | | | V |
| V _{IL} | Low Input Voltage | | | | 0.8 | V |
| V _{IH} | High Input Voltage | | 2.2 | | | V |
| I _{IL} | Low Input Leakage | V _{IN} = 0 | | | 10 | μA |
| I _{IH} | High Input Leakage | V _{IN} = VCC3 | | | -10 | μA |
| I _{OZ} | 3-state Leakage | | | | 20 | μA |
| DI Type Buffer | | | | | | |
| V _{IL} | Low Input Voltage | | | | 0.8 | V |
| V _{IH} | High Input Voltage | | 2.2 | | | V |
| V _{IH} | High Input Voltage(clock) | | 2.2 | | | V |
| I _{IL} | Low Input Leakage | V _{IN} = 0 | | | | μA |
| I _{IH} | High Input Leakage | V _{IN} = VCC3 | | | | μA |

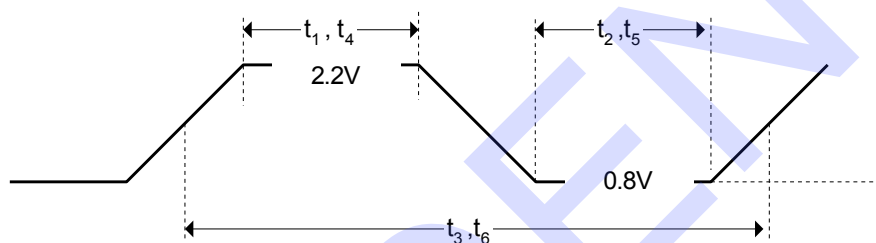
11. AC Characteristics

11.1 Clock Input Timings

| Symbol | Parameter | Min. | Typ. | Max. | Unit |
|--------|---|------|------|------|------|
| t_1 | Clock High Pulse Width when CLKIN=48 MHz ¹ | 8 | | | nsec |
| t_2 | Clock Low Pulse Width when CLKIN=48 MHz ¹ | 8 | | | nsec |
| t_3 | Clock Period when CLKIN=48 MHz ¹ | 20 | 21 | 22 | nsec |
| t_4 | Clock High Pulse Width when CLKIN=24 MHz ¹ | 18 | | | nsec |
| t_5 | Clock Low Pulse Width when CLKIN=24 MHz ¹ | 18 | | | nsec |
| t_6 | Clock Period when CLKIN=24 MHz ¹ | 40 | | | nsec |

Not tested. Guaranteed by design.

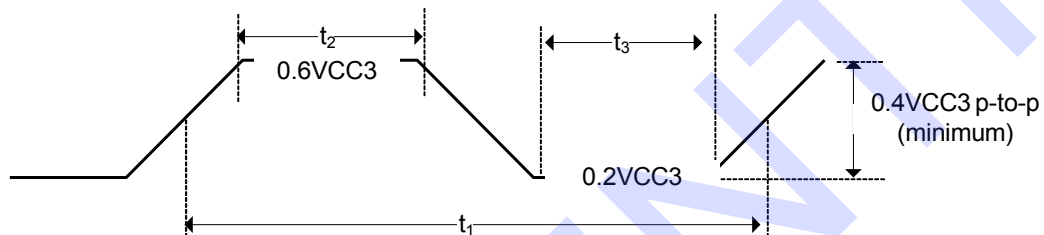
Figure 11-1. Clock Input Timings



11.2 LCLK (PCICLK) and LRESET Timings

| Symbol | Parameter | Min. | Typ. | Max. | Unit |
|--------|-------------------------|------|------|------|-----------|
| t_1 | LCLK Cycle Time | 28 | | | nsec |
| t_2 | LCLK High Time | 11 | | | nsec |
| t_3 | LCLK Low Time | 11 | | | nsec |
| t_4 | LRESET# Low Pulse Width | 1.5 | | | μ sec |

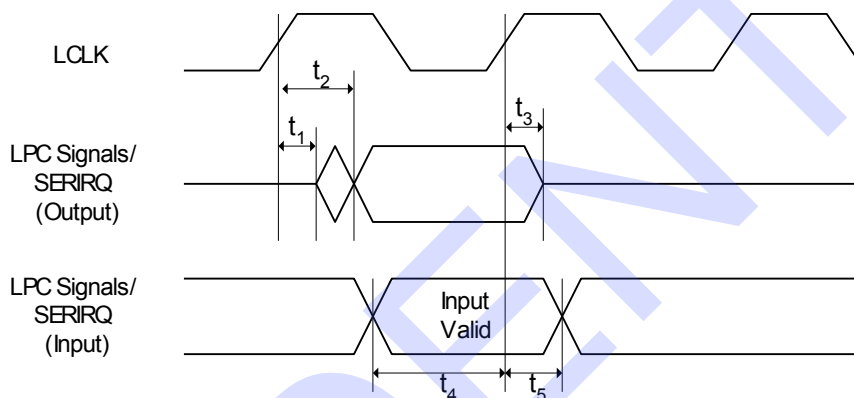
Figure 11-2. LCLK (PCICLK) and LRESET Timings



11.3 LPC and SERIRQ Timings

| Symbol | Parameter | Min. | Typ. | Max. | Unit |
|--------|-----------------------|------|------|------|------|
| t_1 | Float to Active Delay | 3 | | | nsec |
| t_2 | Output Valid Delay | | | 13 | nsec |
| t_3 | Active to Float Delay | | | 20 | nsec |
| t_4 | Input Setup Time | 9 | | | nsec |
| t_5 | Input Hold Time | 3 | | | nsec |

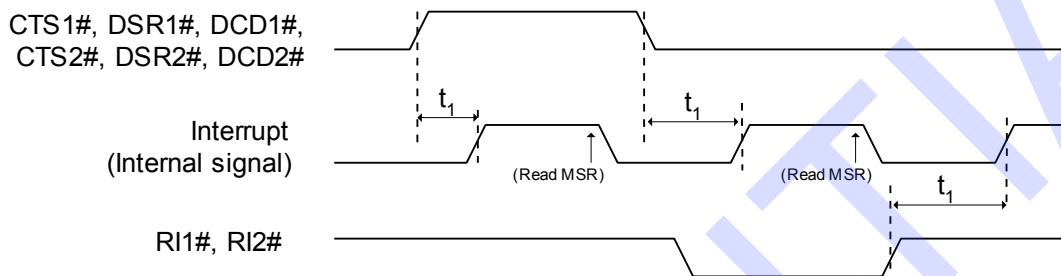
Figure 11-3. LPC and SERIRQ Timings



11.4 Modem Control Timings

| Symbol | Parameter | Min. | Typ. | Max. | Unit |
|--------|-----------------------|------|------|------|------|
| t_1 | Float to active delay | | | 40 | nsec |

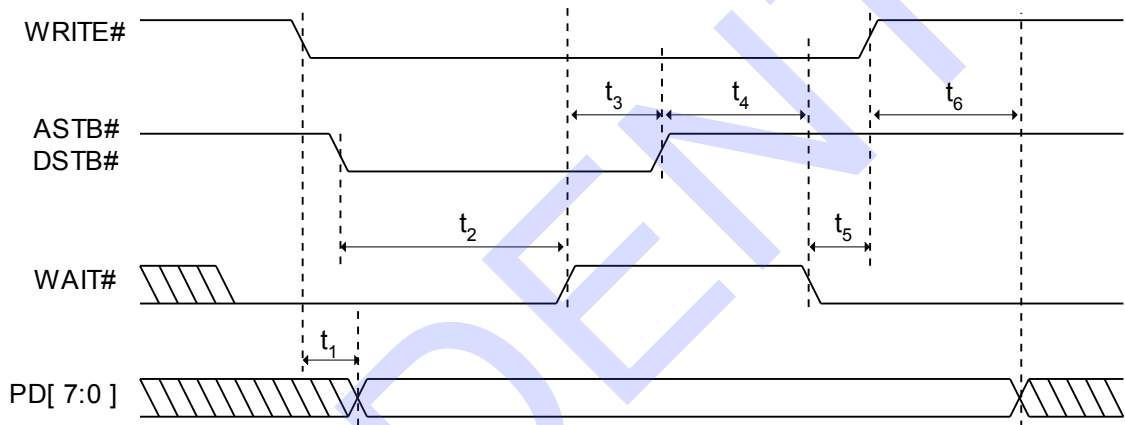
Figure 11-4. Modem Control Timings



11.5 EPP Address or Data Write Cycle Timings

| Symbol | Parameter | Min. | Typ. | Max. | Unit |
|--------|---|------|------|------|------|
| t_1 | WRITE# asserted to PD[7:0] valid | | | 50 | nsec |
| t_2 | ASTB# or DSTB# asserted to WAIT# de-asserted | 0 | | 10 | nsec |
| t_3 | WAIT# de-asserted to ASTB# or DSTB# de-asserted | 65 | | 135 | nsec |
| t_4 | ASTB# or DSTB# de-asserted to WAIT# asserted | 0 | | | nsec |
| t_5 | WAIT# asserted to WRITE# de-asserted | 65 | | | nsec |
| t_6 | PD[7:0] invalid after WRITE# de-asserted | 0 | | | nsec |

Figure 11-5. EPP Address or Data Write Cycle Timings

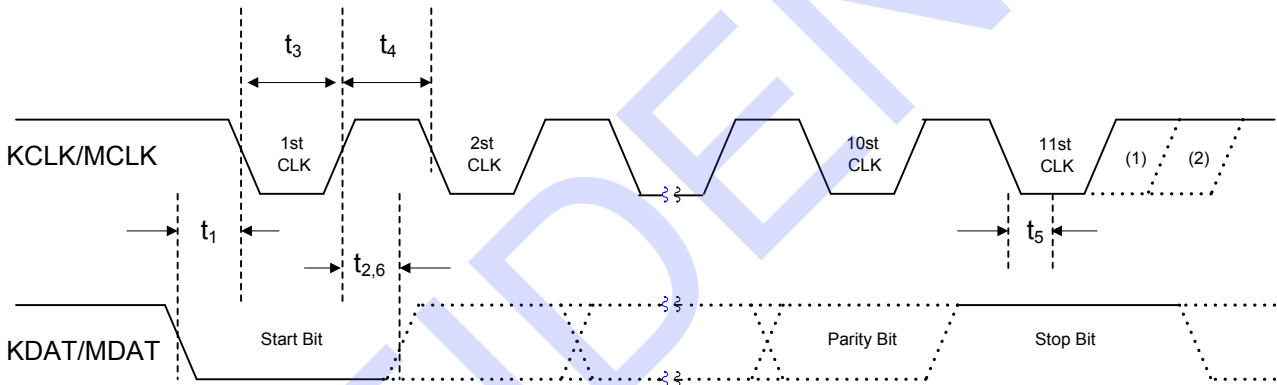


11.6 Keyboard/Mouse Receive/Send Data Timings

| Symbol | Parameter | Min. | Typ. | Max. | Unit |
|--------|---|------|------|------|-----------------|
| t_1 | Time from DATA transition to falling edge of CLK (Receive) | 5 | | 25 | μsec |
| t_2 | Time from rising edge of CLK to DATA transition (Receive) | 5 | | T4-5 | μsec |
| t_3 | Duration of CLK inactive (Receive/Send) | 30 | | 50 | μsec |
| t_4 | Duration of CLK active (Receive/Send) | 30 | | 50 | μsec |
| t_5 | Time to keyboard inhibit after clock 11 to ensure the keyboard device does not start another transmission (Receive) | >0 | 50 | | μsec |
| t_6 | Time from inactive to active CLOCK transition, used to time when the auxiliary device samples DATA (Send) | 5 | | 25 | μsec |

Note: (1) The system can hold the 'clock' signal inactive to inhibit the next transmission.
 (2) The system raises the 'clock' line to allow the next transmission.

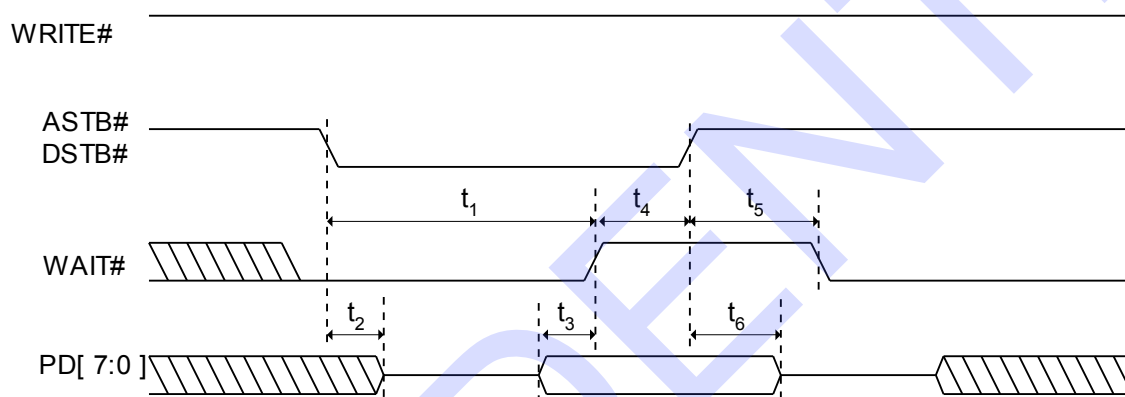
Figure 11-6. Keyboard/Mouse Receive/Send Data Timings



11.7 EPP Address or Data Read Cycle Timings

| Symbol | Parameter | Min. | Typ. | Max. | Unit |
|--------|--|------|------|------|------|
| t_1 | ASTB# or DSTB# asserted to WAIT# de-asserted | | | 10 | nsec |
| t_2 | ASTB# or DSTB# asserted to PD[7:0] Hi-Z | 0 | | | nsec |
| t_3 | PD[7:0] valid to WAIT# de-asserted | 0 | | | nsec |
| t_4 | WAIT# de-asserted to ASTB# or DSTB# de-asserted | 65 | | 135 | nsec |
| t_5 | ASTB# or DSTB# de-asserted to WAIT# asserted | 0 | | | nsec |
| t_6 | PD[7:0] invalid after ASTB# or DSTB# de-asserted | 20 | | | nsec |

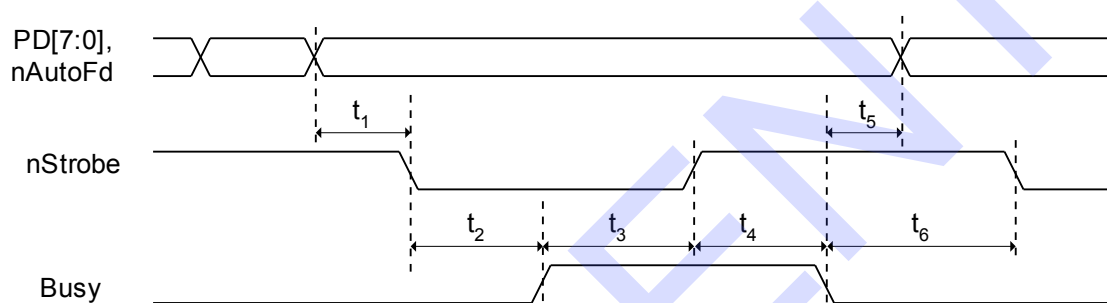
Figure 11-7. EPP Address or Data Read Cycle Timings



11.8 ECP Parallel Port Forward Timings

| Symbol | Parameter | Min. | Typ. | Max. | Unit |
|--------|---|------|------|------|------|
| t_1 | PD[7:0] and nAutoFd valid to nStrobe asserted | | | 50 | nsec |
| t_2 | nStrobe asserted to Busy asserted | 0 | | | nsec |
| t_3 | Busy asserted to nStrobe de-asserted | 70 | | 170 | nsec |
| t_4 | nStrobe de-asserted to Busy de-asserted | 0 | | | nsec |
| t_5 | Busy de-asserted to PD[7:0] and nAutoFd changed | 80 | | 180 | nsec |
| t_6 | Busy de-asserted to nStrobe asserted | 70 | | 170 | nsec |

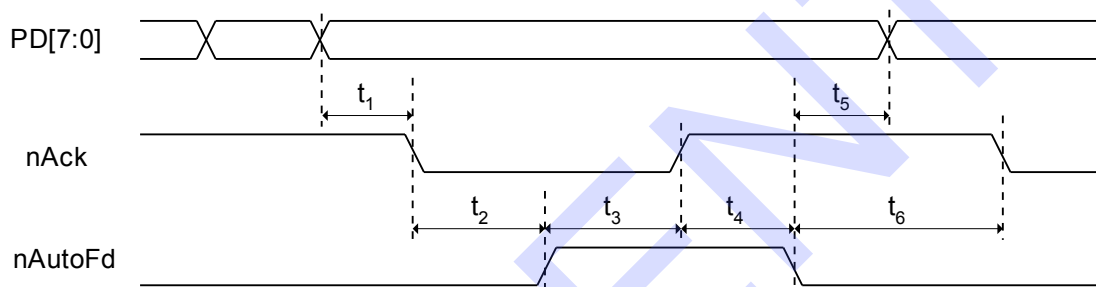
Figure 11-8. ECP Parallel Port Forward Timings



11.9 ECP Parallel Port Backward Timings

| Symbol | Parameter | Min. | Typ. | Max. | Unit |
|--------|---|------|------|------|------|
| t_1 | PD[7:0] valid to nAck asserted | 0 | | | nsec |
| t_2 | nAck asserted to nAutoFd asserted | 70 | | 170 | nsec |
| t_3 | nAutoFd asserted to nAck de-asserted | 0 | | | nsec |
| t_4 | nAck de-asserted to nAutoFd de-asserted | 70 | | 170 | nsec |
| t_5 | nAutoFd de-asserted to PD[7:0] changed | 0 | | | nsec |
| t_6 | nAutoFd de-asserted to nAck asserted | 0 | | | nsec |

Figure 11-9. ECP Parallel Port Backward Timings



11.10 RSMRST# and ACPI Power Control Signal Timings

| Symbol | Parameter | Typ. | Unit |
|--------------|---|------------------------------------|------|
| t_1 | RSMRST# de-actives delay from 3VSB=3V | 75 | msec |
| t_2 *Note1 | PWRGD3 active delay from 0.8 * AVCC3 | Reference: Section 11.11 | msec |
| t_3 | Overlap of PSON# and 3VSBSW# | 10 | msec |
| t_4 | Delay time of 3VSBSW# falling edge to PWRGD3 falling edge | <1 | msec |
| t_5 | Delay time of 3VSBSW# rising edge to PWRGD3 rising edge | 1 Note:2A<Bit 0>=0 (Default) | usec |
| t_5' | | 135 Note:2A<Bit 0>=1 | msec |

Figure 11-10. RSMRST# Timings

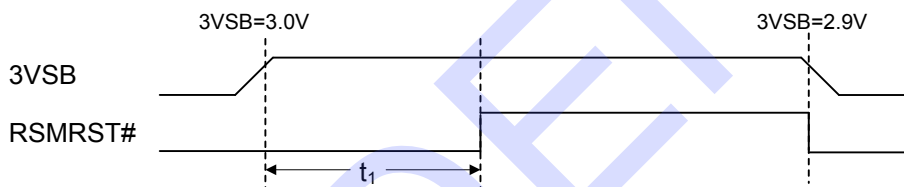


Figure 11-11. PWRGD3 Timings

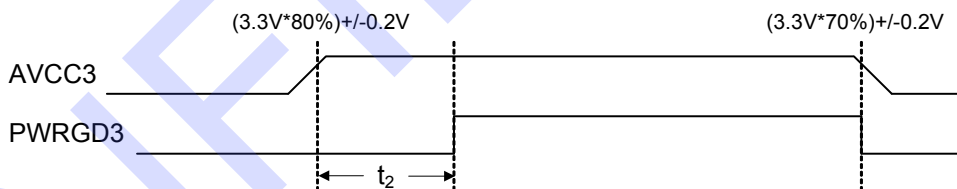
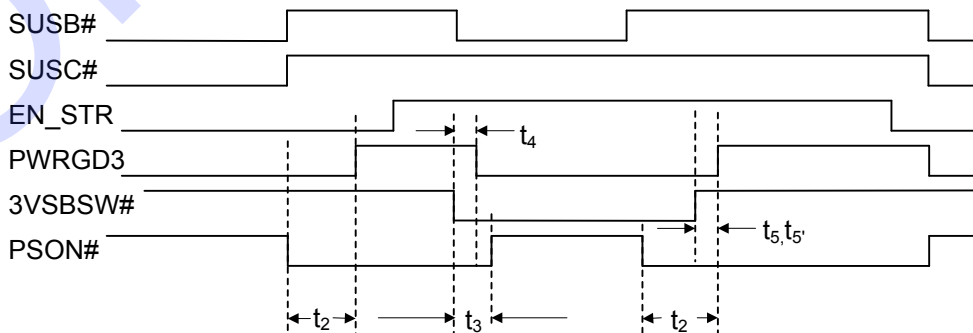


Figure 11-12. ACPI Power Signal Timings



11.11 PWRGD1, PWRGD2, PWRGD3 Signal Timings

| Symbol | Parameter | Min. | Typ. | Max. |
|----------|---|-------|--------|-------|
| t_6 | Delay time of (3V/5V/12V reach 80% detected AND SUSB#) to internal_GD. | | <1ms | |
| t_7 | Delay time of internal_GD to PWRGD1 rising edge | 30ms | 33ms | 36ms |
| t_8 | Delay time of internal_GD to PWRGD2 rising edge | 50ms | 55ms | 60ms |
| t_9 | Delay time of internal_GD to PWRGD3 rising edge | 150ms | 165ms | 180ms |
| t_{10} | Delay time of SUSB# falling edge to PWRGD falling edge | | < 1ms. | |

Figure 11-13. PWRGD1/2/3 Signal Condition

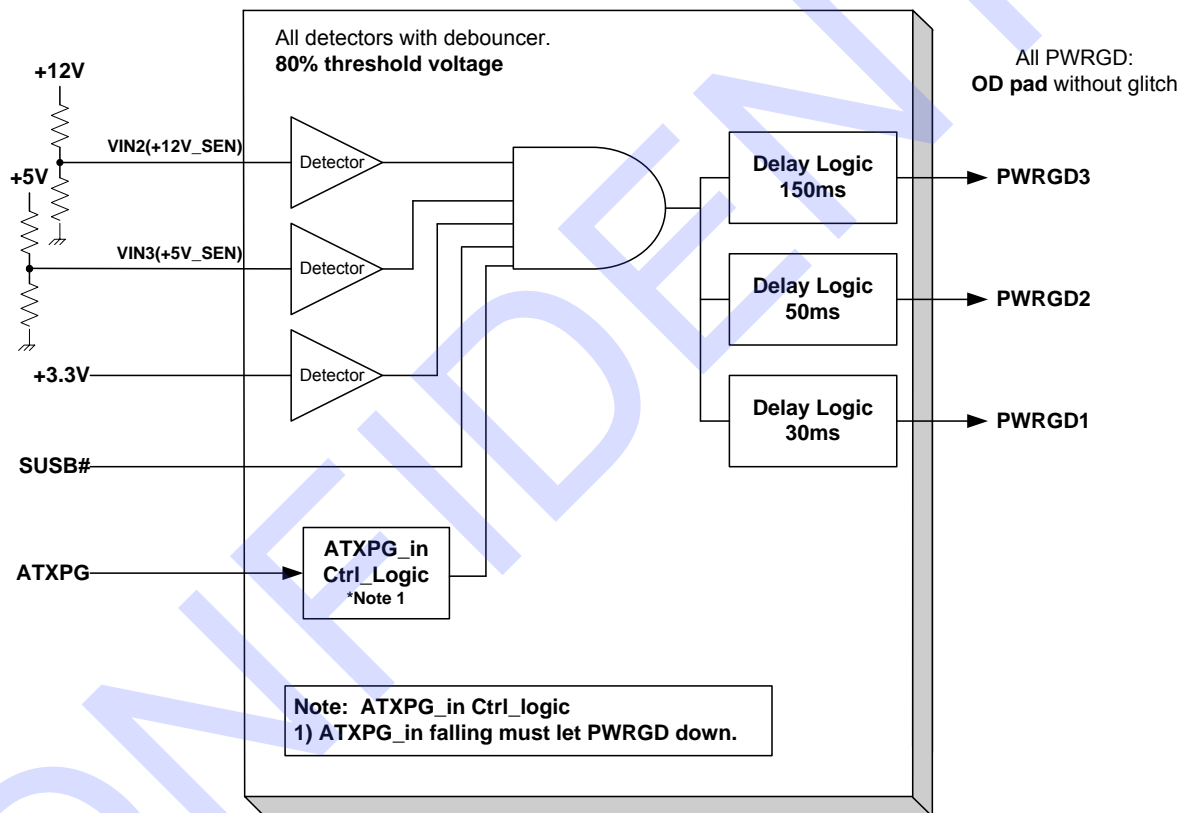


Figure 11-14. PWRGD1/2/3 Signal Timings

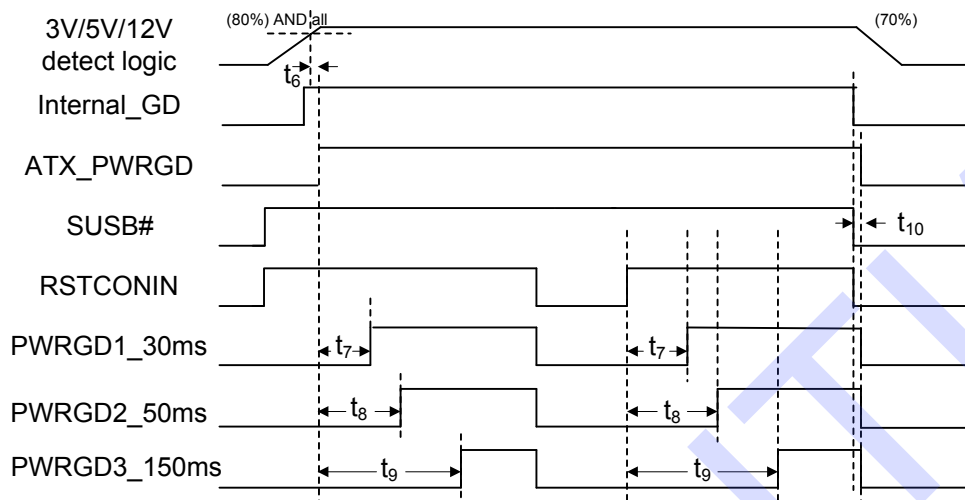


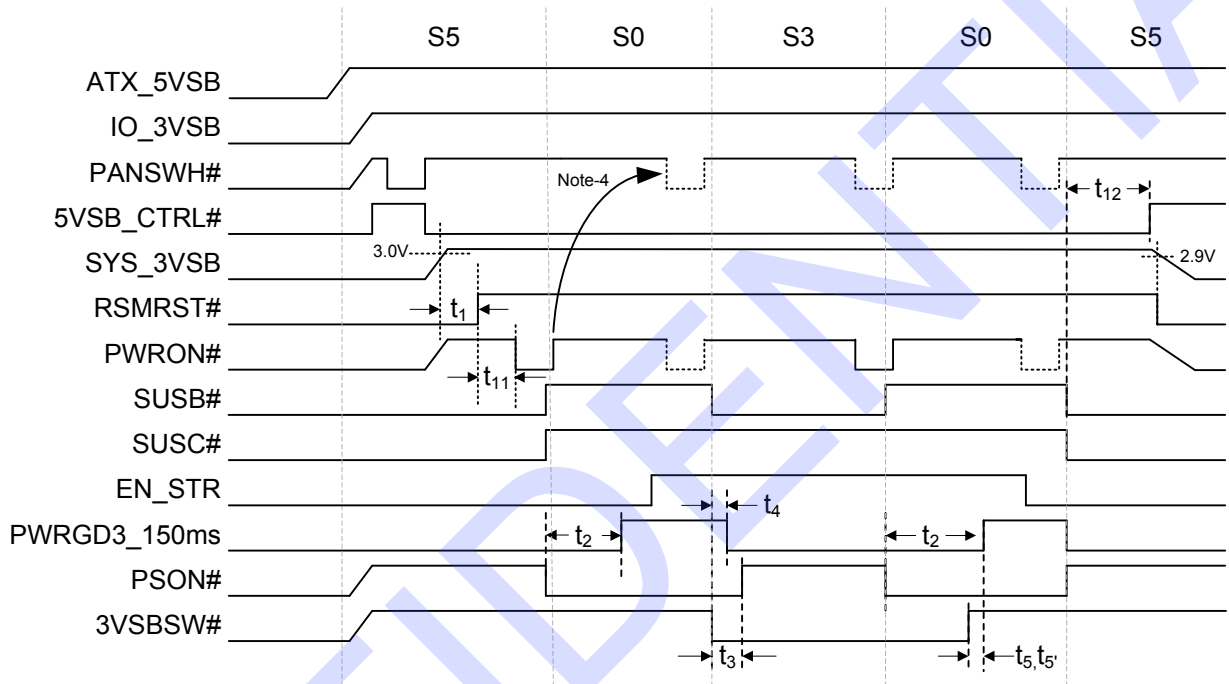
Figure 11-15. PCIRST#1 Signal Timings



11.12 Energy-using Product (EuP) Power Control Signal Timings

| Symbol | Parameter | Min. | Typ. | Max. |
|----------|---|------|-------|------|
| t_{11} | Delay time of RSMRST# rising to first PWRON# pulse. | - | 200ms | - |
| t_{12} | Delay time of AVCC3 falling edge to 5VSB_CTRL# rising edge. | - | 5.2s | - |

Figure 11-16. EuP Function Signal Timings



11.13 DSW Timings

Figure 11-17. DPWORK Timings

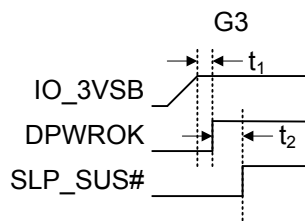


Figure 11-18. DSW Timings

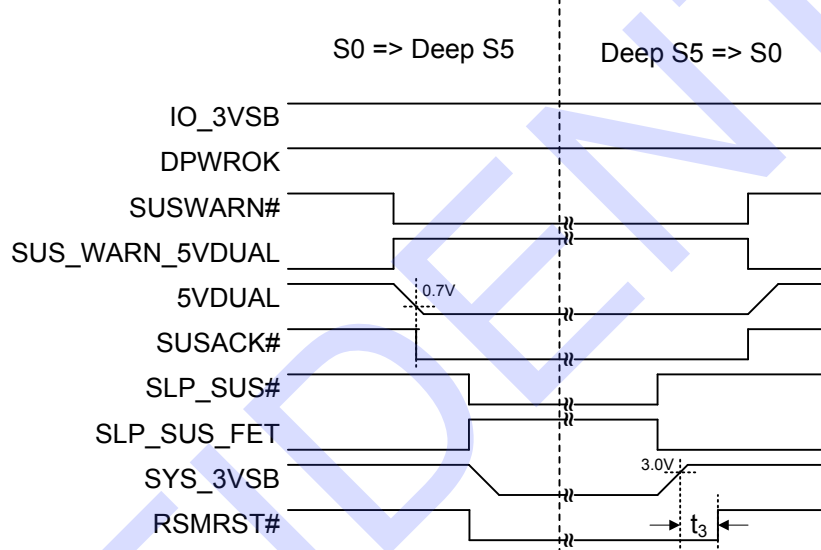


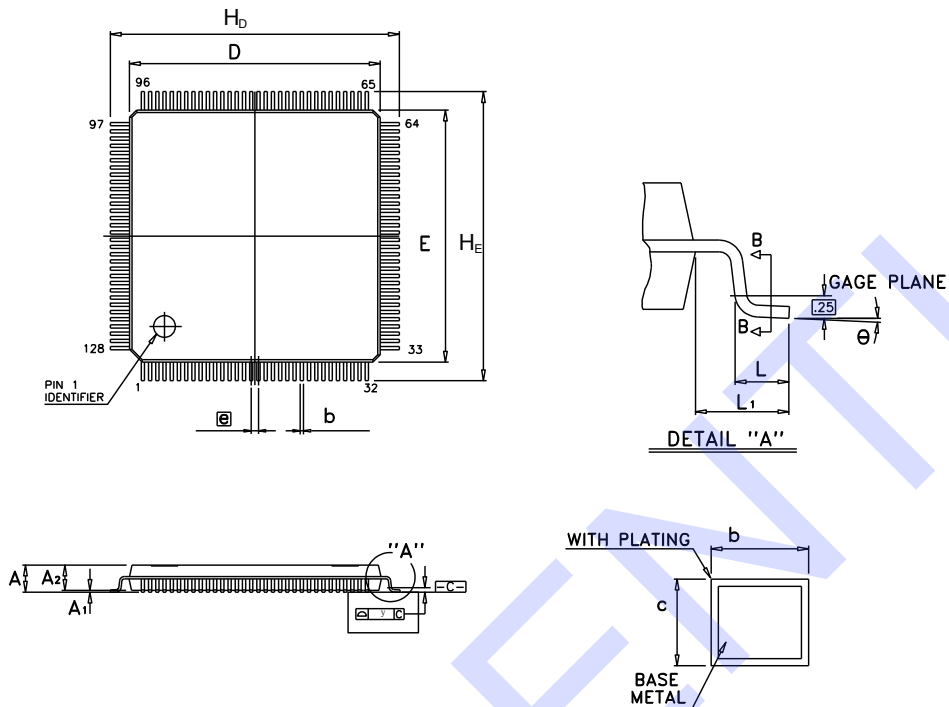
Table 11-1. DSW Timings Parameter

| Symbol | Typ. | Description |
|--------|-------|--|
| t_1 | 26ms | The rising edge of IO_3VSB to rising edge of DPWORK |
| t_2 | by SB | The rising edge of IO_3VSB to rising edge of SLP_SUS# |
| t_3 | 75ms | SYS_3VSB voltage over 3.0V to the rising edge of RSMRST# |

12. Package Information

LQFP 128L Outline Dimensions

unit: inches/mm



| Symbol | Dimensions in inches | | | Dimensions in mm | | |
|----------------|----------------------|-------|-------|------------------|-------|-------|
| | Min. | Nom. | Max. | Min. | Nom. | Max. |
| A | - | - | 0.063 | - | - | 1.60 |
| A ₁ | 0.002 | - | - | 0.05 | - | - |
| A ₂ | 0.053 | 0.055 | 0.057 | 1.35 | 1.40 | 1.45 |
| b | 0.005 | 0.007 | 0.009 | 0.13 | 0.18 | 0.23 |
| c | 0.004 | - | 0.008 | 0.09 | - | 0.20 |
| D | 0.547 | 0.551 | 0.555 | 13.90 | 14.00 | 14.10 |
| E | 0.547 | 0.551 | 0.555 | 13.90 | 14.00 | 14.10 |
| e | 0.016 BSC | | | 0.40 BSC | | |
| H _D | 0.624 | 0.630 | 0.636 | 15.85 | 16.00 | 16.15 |
| H _E | 0.624 | 0.630 | 0.636 | 15.85 | 16.00 | 16.15 |
| L | 0.018 | 0.024 | 0.030 | 0.45 | 0.60 | 0.75 |
| L ₁ | 0.039 REF | | | 1.00 REF | | |
| y | - | - | 0.004 | - | - | 0.10 |
| θ | 0° | 3.5° | 7° | 0° | 3.5° | 7° |

Notes:

1. Dimensions D and E do not include mold protrusion.
2. Dimensions b does not include dambar protrusion.
Total in excess of the b dimension at maximum material condition.
Dambar cannot be located on the lower radius of the foot.
3. Controlling dimension : Millimeter
4. Reference document : JEDEC MS-026

DI-LQFP128(14*14)v4

This page is intentionally left blank.

13. Ordering Information

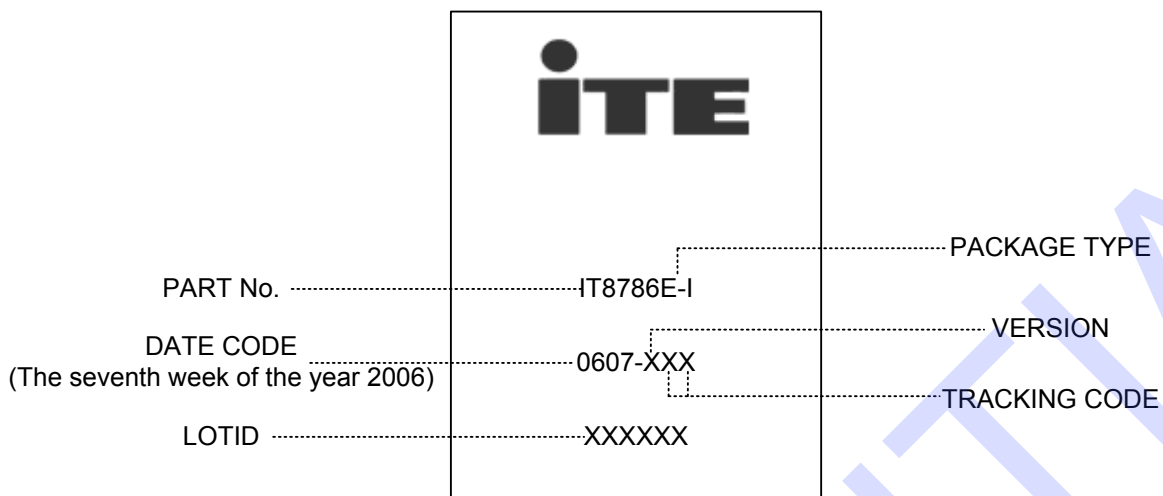
| Part No. | Package |
|-----------|----------|
| IT8786E-I | LQFP 128 |

All components provided are RoHS-compliant (100% Green Available).

CONFIDENTIAL

This page is intentionally left blank.

14. Top Marking Information



*PACKAGE TYPE :

- E: LQFP
- F: QFP
- FN: QFN
- R: SSOP

ITE TECH. INC. TERMS AND CONDITIONS OF SALE (Rev: 2005)

0. PARTIES

ITE Tech. Inc. ("Seller") is a company headquartered in Taiwan, Republic of China, and incorporated under laws of Republic of China, Buyer is a company or an entity, purchasing product from ITE Tech. Inc..

1. ACCEPTANCE OF TERMS

BUYER ACCEPTS THESE TERMS (i) BY WRITTEN ACCEPTANCE (BY PURCHASE ORDER OR OTHERWISE), OR (ii) BY FAILURE TO RETURN GOODS DESCRIBED ON THE FACE OF THE PACKING LIST WITHIN FIVE DAYS OF THEIR DELIVERY.

2. DELIVERY

- Delivery will be made Free Carrier (Incoterms), Seller's warehouse, Science-Based Industrial Park, Hsinchu, Taiwan.
- Title to the goods and the entire risk will pass to Buyer upon delivery to carrier.
- Shipments are subject to availability. Seller shall make every reasonable effort to meet the date(s) quoted or acknowledged; and if Seller makes such effort, Seller will not be liable for any delays.

3. TERMS OF PAYMENT

Terms are as stated on Seller's quotation, or if none are stated, net thirty (30) days. Accounts past due will incur a monthly charge at the rate of one percent (1%) per month (or, if less, the maximum allowed by applicable law) to cover servicing costs.

Buyer reserves the right to change credit terms at any time in its sole discretion.

4. LIMITED WARRANTY

- Seller warrants that the goods sold will be free from defects in material and workmanship and comply with Seller's applicable published specifications for a period of ninety (90) days from the date of Seller's delivery. Within the warranty period and by obtaining a return number from Seller, Buyer may request replacement or repair for defective goods.
- Goods or parts which have been subject to abuse (including without limitation repeated or extended exposure to conditions at or near the limits of applicable absolute ratings) misuse, accident, alteration, neglect, or unauthorized repair or improper application are not covered by any warranty. No warranty is made with respect to custom products or goods produced to Buyer's specifications (unless specifically stated in a writing signed by Seller).
- No warranty is made with respect to goods used in devices intended for use in applications where failure to perform when properly used can reasonably be expected to result in significant injury (including, without limitation, navigation, aviation or nuclear equipment, or for surgical implant or to support or sustain life) and Buyer agrees to indemnify, defend, and hold harmless Seller from all claims, damages and liabilities arising out of any such uses.
- This Paragraph 4 is the only warranty by Seller with respect to goods and may not be modified or amended except in writing signed by an authorized officer of Seller.
- Buyer acknowledges and agrees that it is not relying on any applications, diagrams or circuits contained in any literature, and Buyer will test all parts and applications under extended field and laboratory conditions. Notwithstanding any cross-reference or any statements of compatibility, functionality, interchangeability, and the like, the goods may differ from similar goods from other vendors in performance, function or operation, and in areas not contained in the written specifications, or as to ranges and conditions outside such specifications; and Buyer agrees that there are no warranties and that Seller is not responsible for such things.
- EXCEPT AS PROVIDED ABOVE, SELLER MAKES NO WARRANTIES OR CONDITIONS, EXPRESS, IMPLIED, OR STATUTORY; AND SELLER EXPRESSLY EXCLUDES AND DISCLAIMS ANY WARRANTY OR CONDITION OF MERCHANTABILITY OR FITNESS FOR PARTICULAR PURPOSE OR APPLICATION.

5. LIMITATION OF LIABILITY

- Seller will not be liable for any loss, damage or penalty resulting from causes beyond its reasonable control, including but not limited to delay by others, force majeure, acts of God, or labor conditions. In any such event, the date(s) for Seller's performance will be deemed extended for a period equal to any delay resulting.
- THE LIABILITY OF SELLER ARISING OUT OF THE CONTRACT OR ANY GOODS SOLD WILL BE LIMITED TO REFUND OF THE PURCHASE PRICE OR REPLACEMENT OF PURCHASED GOODS (RETURNED TO SELLER FREIGHT PRE-PAID) OR, WITH SELLER'S PRIOR WRITTEN CONSENT, REPAIR OF PURCHASED GOODS.
- Buyer will not return any goods without first obtaining a customer return order number.
- AS A SEPARATE LIMITATION, IN NO EVENT WILL SELLER BE LIABLE FOR COSTS OF SUBSTITUTE GOODS; FOR ANY SPECIAL, CONSEQUENTIAL, INCIDENTAL OR INDIRECT DAMAGES; OR LOSS OF USE, OPPORTUNITY, MARKET POTENTIAL, AND/OR PROFIT ON ANY THEORY (CONTRACT, TORT, FROM THIRD PARTY CLAIMS OR OTHERWISE). THESE LIMITATIONS SHALL APPLY NOTWITHSTANDING ANY FAILURE OF ESSENTIAL PURPOSE OF ANY REMEDY.
- No action against Seller, whether for breach, indemnification, contribution or otherwise, shall be commenced more than one year after the cause of action has accrued, or more than one year after either the Buyer, user or other person knew or with reasonable diligence should have known of the matter or of any claim of dissatisfaction or defect involved; and no such claim may be brought unless Seller has first been given commercially reasonable notice, a full written explanation of all pertinent details, and a good faith opportunity to resolve the matter.
- BUYER EXPRESSLY AGREES TO THE LIMITATIONS OF THIS PARAGRAPH 5 AND TO THEIR REASONABLENESS.

6. SUBSTITUTIONS AND MODIFICATIONS

Seller may at any time make substitutions for product ordered which do not materially and adversely affect overall performance with the then current specifications in the typical and intended use. Seller reserves the right to halt deliveries and shipments and alter specifications and prices without notice. Buyer shall verify that the literature and information is current before purchasing.

7. CANCELLATION

The purchase contract may not be canceled by Buyer except with written consent by Seller and Buyer's payment of reasonable cancellation charges (including but not be limited to expenses already incurred for labor and material, overhead, commitments made by Seller, and a reasonable profit).

8. INDEMNIFICATION

Seller will, at its own expense, assist Buyer with technical support and information in connection with any claim that any parts as shipped by Seller under the purchase order infringe any valid and enforceable copyright, or trademark, provided however, that Buyer (i) gives immediate written notice to Seller, (ii) permits Seller to participate and to defend if Seller requests to do so, and (iii) gives Seller all needed information, assistance and authority. However, Seller will not be responsible for infringements resulting from anything not entirely manufactured by Seller, or from any combination with products, equipment, or materials not furnished by Seller. Seller will have no liability with respect to intellectual property matters arising out of products made to Buyer's specifications, code, or designs. Except as expressly stated in this Paragraph 8 or in another writing signed by an authorized officer, Seller makes no representations and/or warranties with respect to intellectual and/or industrial property and/or with respect to claims of infringement. Except as to claims Seller agrees in writing to defend, BUYER WILL INDEMNIFY, DEFEND AND HOLD HARMLESS SELLER FROM ALL CLAIMS, COSTS, LOSSES, AND DAMAGES (INCLUDING ATTORNEYS FEES) AGAINST AND/OR ARISING OUT OF GOODS SOLD AND/OR SHIPPED HEREUNDER.

9. NO CONFIDENTIAL INFORMATION

Seller shall have no obligation to hold any information in confidence except as provided in a separate non-disclosure agreement signed by both parties.

10. ENTIRE AGREEMENT

- These terms and conditions are the entire agreement and the only representations and understandings between Seller and Buyer, and no addition, deletion or modification shall be binding on Seller unless expressly agreed to in written and signed by an officer of Seller.
- Buyer is not relying upon any warranty or representation except for those specifically stated here.

11. APPLICABLE LAW

The contract and all performance and disputes arising out of or relating to goods involved will be governed by the laws of R.O.C. (Taiwan, Republic of China), without reference to the U.N. Convention on Contracts for the International Sale of Goods or to conflict of laws principles. Buyer agrees at its sole expense to comply with all applicable laws in connection with the purchase, use or sale of the goods provided hereunder and to indemnify Seller from any failure by Buyer to so comply. Without limiting the foregoing, Buyer certifies that no technical data or direct products thereof will be made available or re-exported, directly or indirectly, to any country to which such export or access is prohibited or restricted under R.O.C. laws or U.S. laws or regulations, unless prior authorization is obtained from the appropriate officials and agencies of the government as required under R.O.C. or U.S. laws or regulations.

12. JURISDICTION AND VENUE

The courts located in Hsinchu, Taiwan, Republic of China, will have the sole and exclusive jurisdiction and venue over any dispute arising out of or relating to the contract or any sale of goods hereunder. Buyer hereby consents to the jurisdiction of such courts.

13. ATTORNEYS' FEES

Reasonable attorneys' fees and costs will be awarded to the prevailing party in the event of litigation involving and/or relating to the enforcement or interpretation of the contract and/or any goods sold under it.